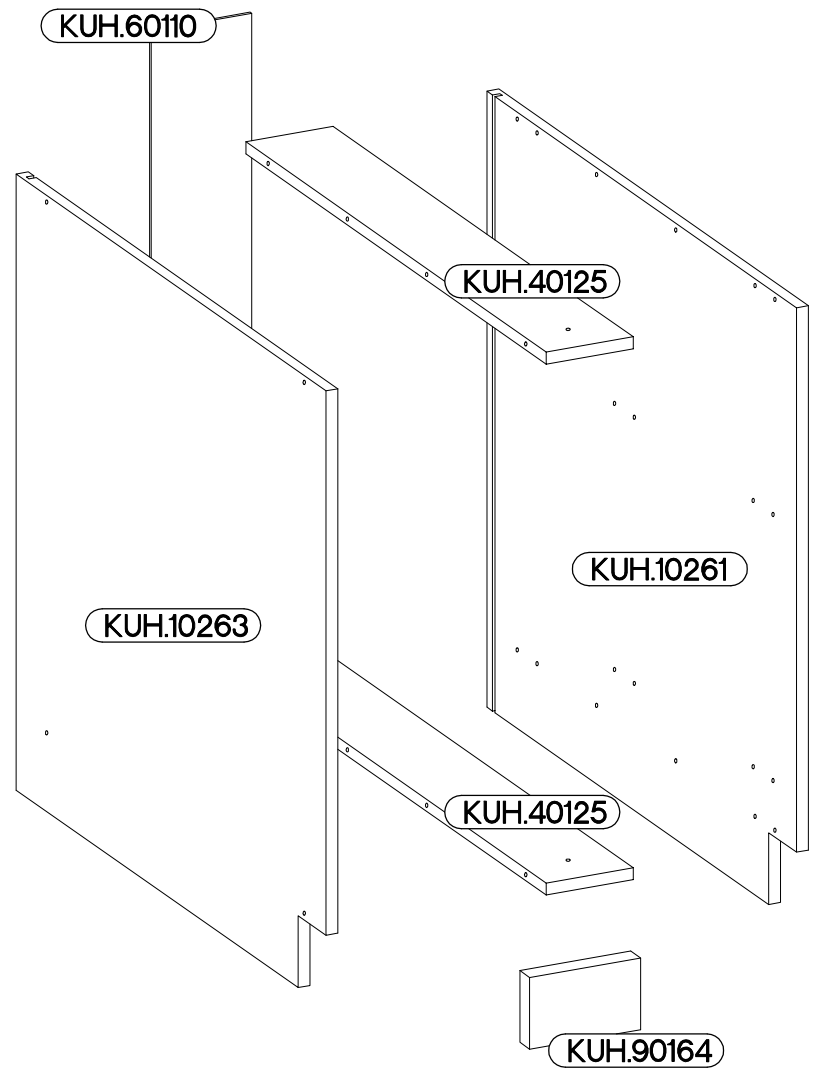
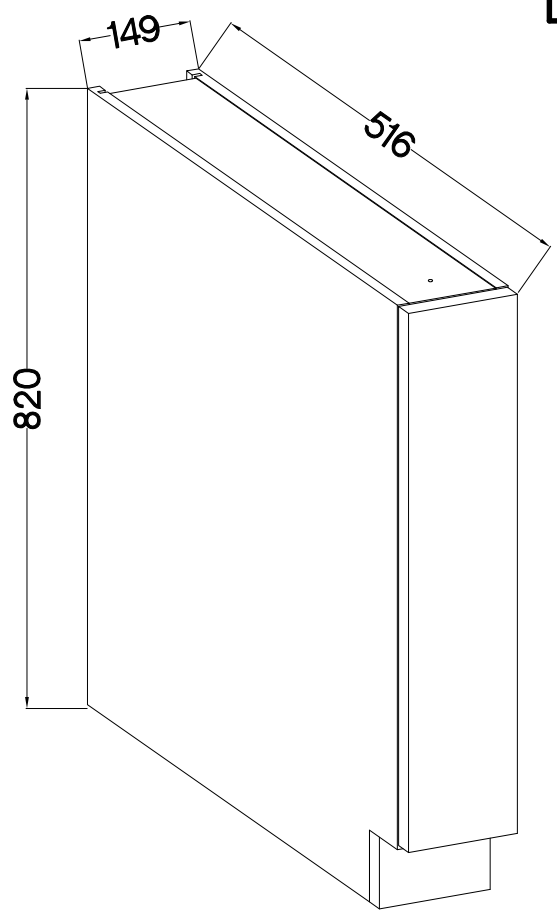
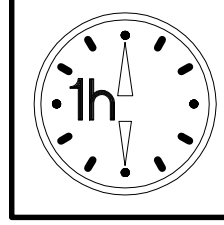
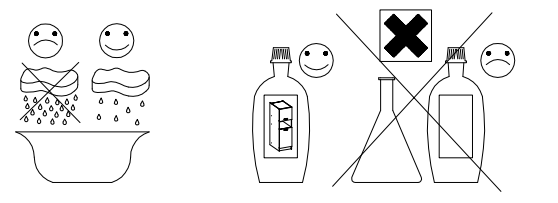
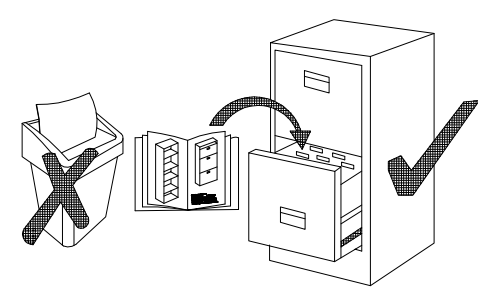


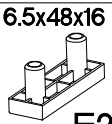
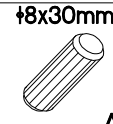
15 D CARGO BB

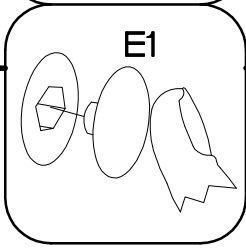
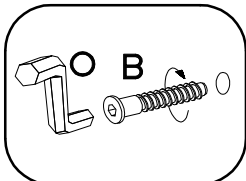
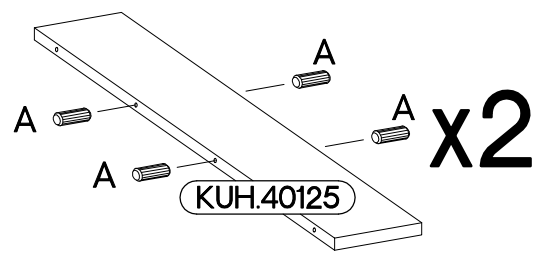
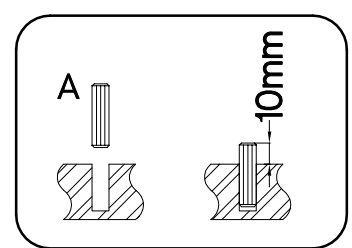
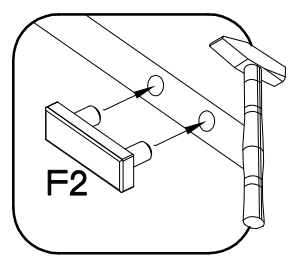
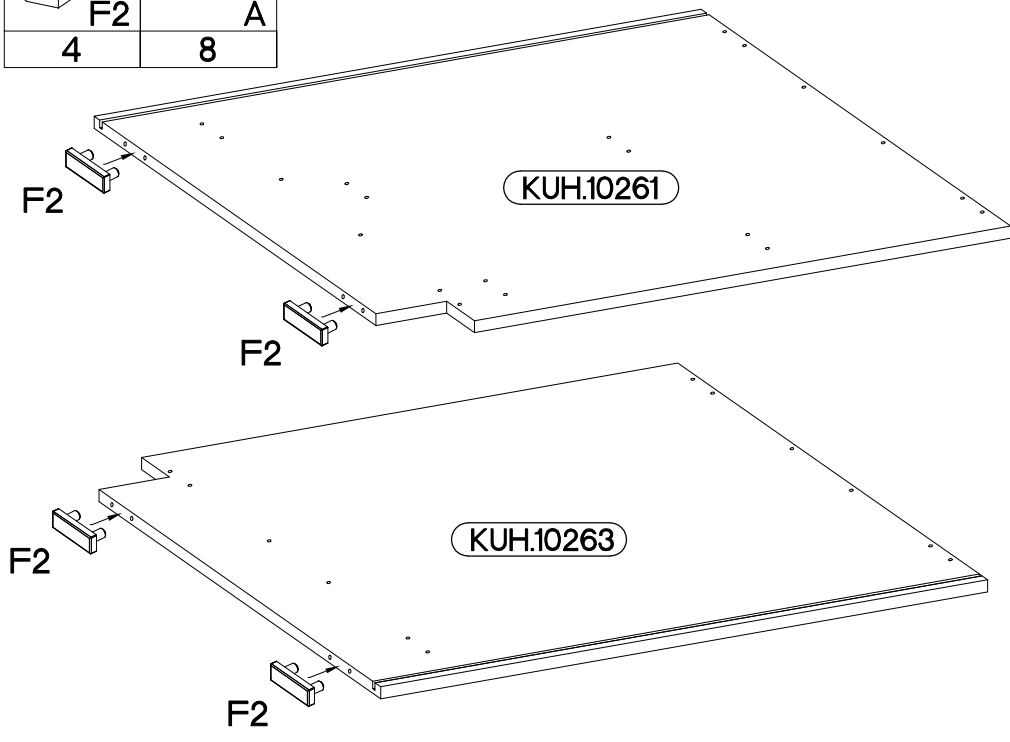
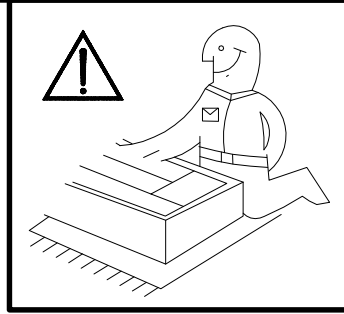


 +8x30mm A 8	 6,4 x 50mm B 8	 6.5x48x16 F2 4	 O 1	 +4.0x45mm P4 1	 +3.0x20mm P7 4	 +4.0x35mm R3 1
-----------------------	--------------------------	--------------------------	------------	--------------------------	--------------------------	--------------------------

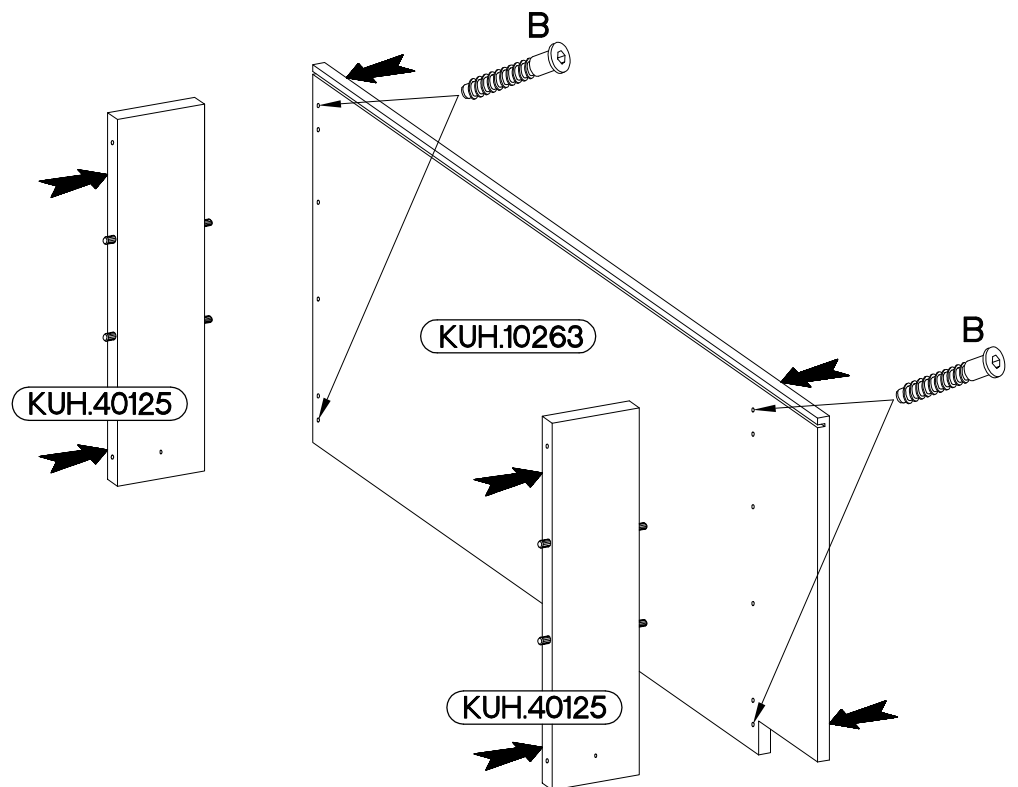


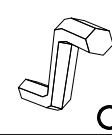

1

6.5x48x16	+8x30mm
	
F2	A
4	8

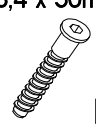
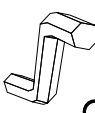



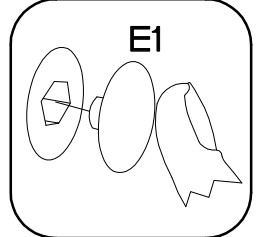
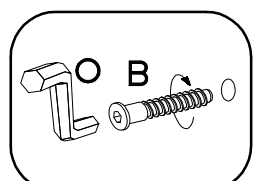
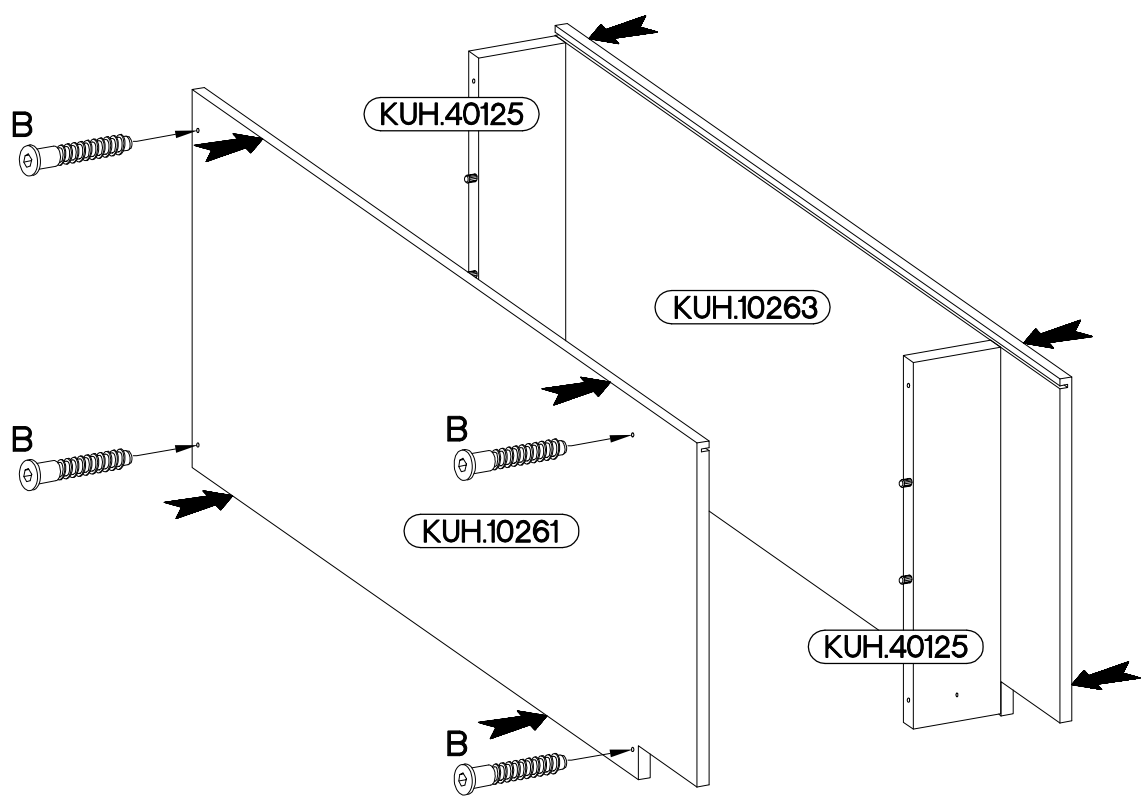
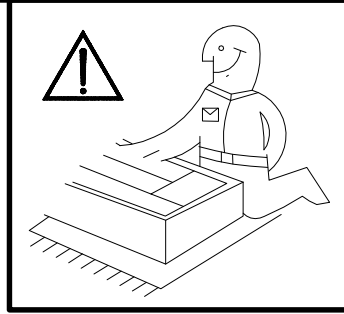
2




6,4 x 50mm		
B	O	E1
4	1	4

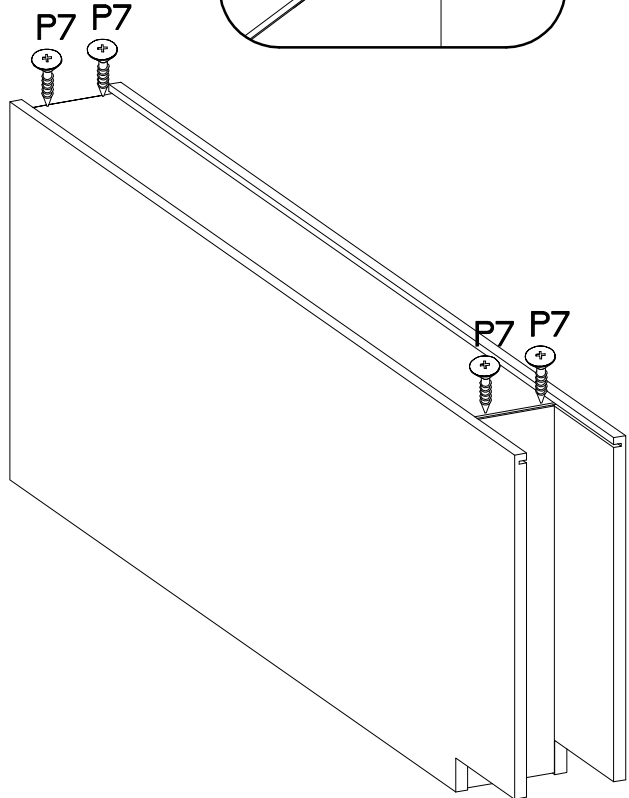
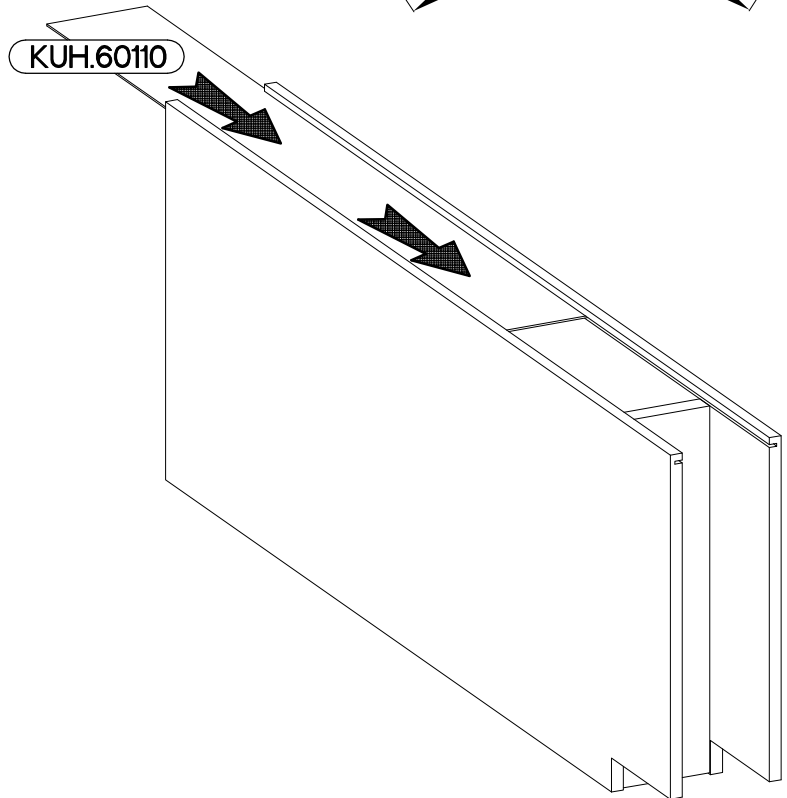
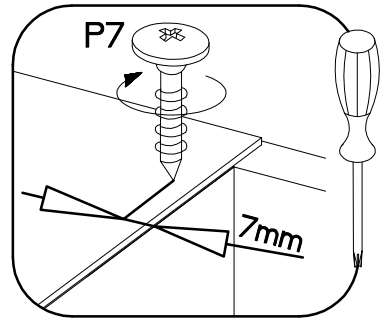
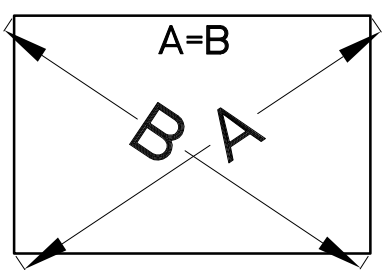
3

6,4 x 50mm			
	<b>B</b>	<b>O</b>	<b>E1</b>
	4	1	4






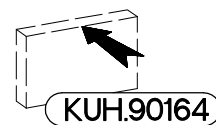
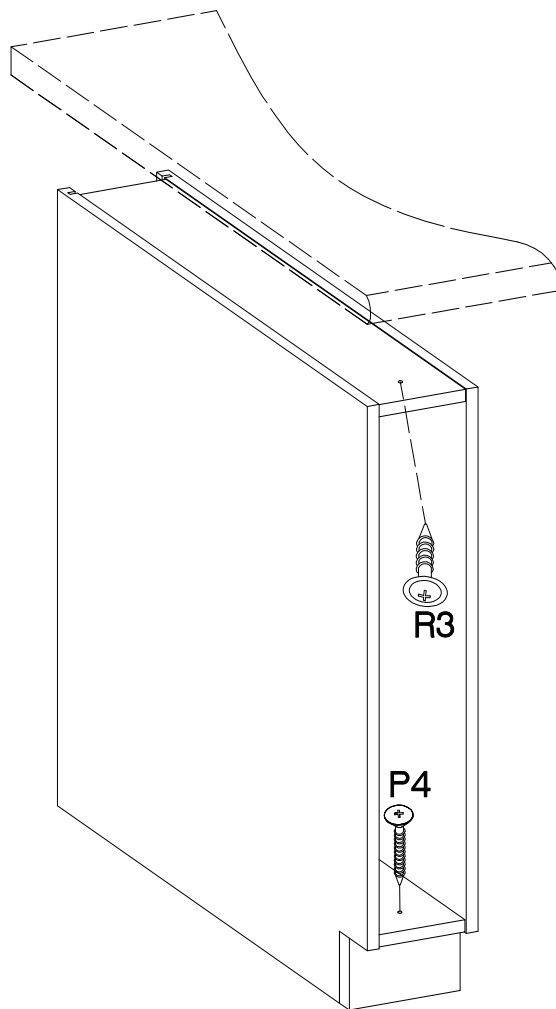
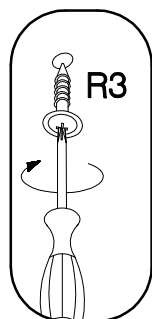
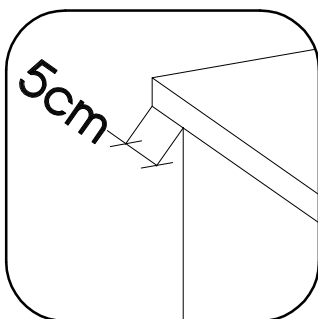
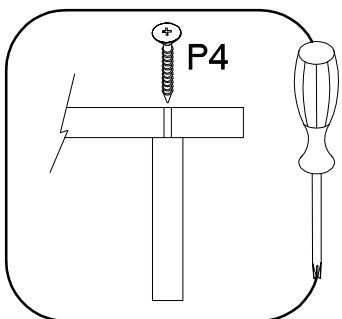
4

3.0x20mm	
	<b>P7</b>
	4



5

 +4.0x45mm P4 1	 E9 1	 +4.0x35mm R3 1
--	---	--



6

FRONT

