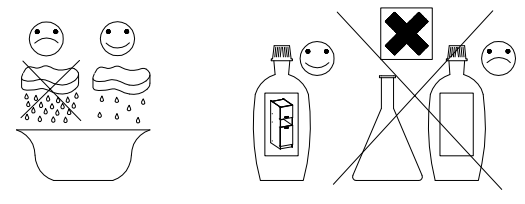
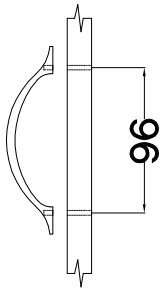
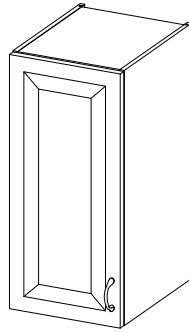
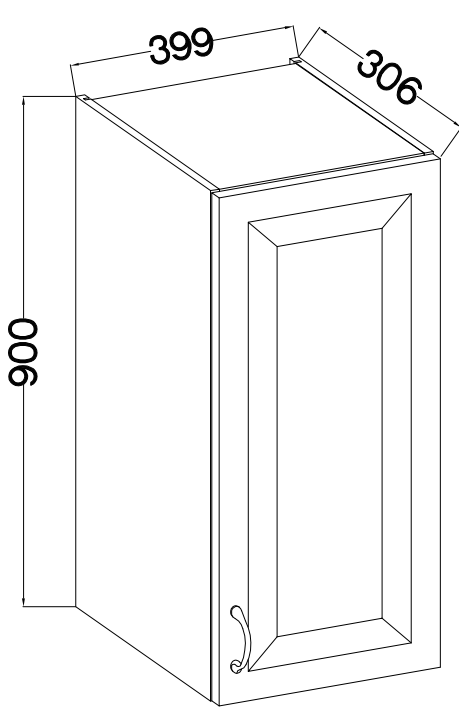


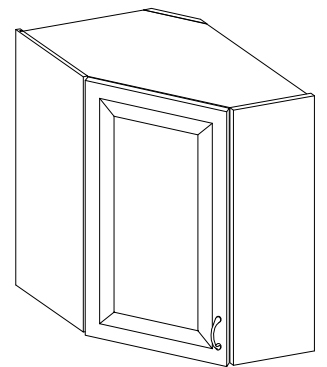
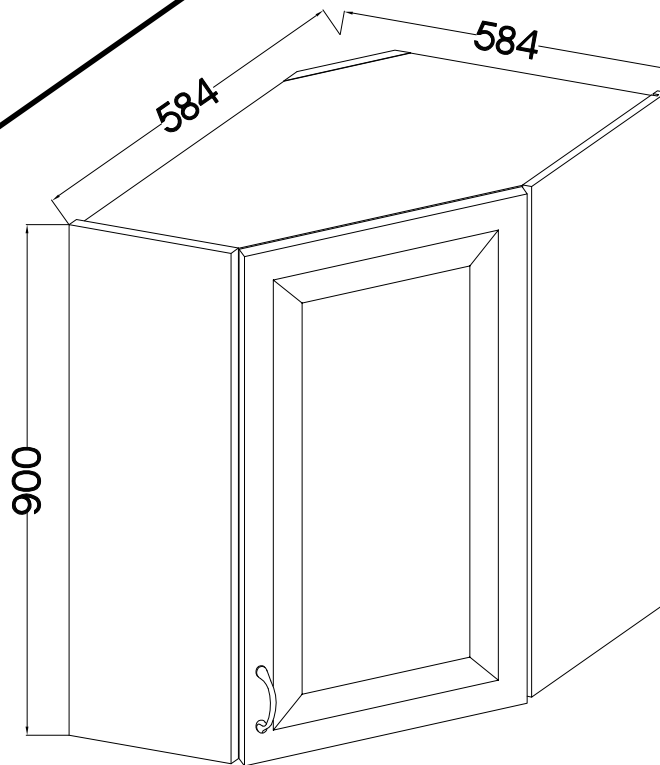
FRONT



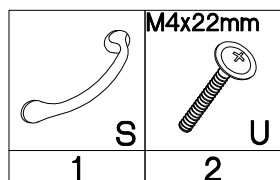
40 G-90 1F



58x58 GN-90 1F



KUH.70770



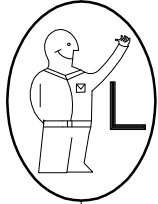
ISM-KUH-01199

1

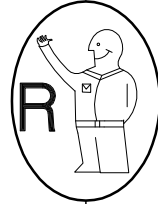
40 G-90 1F

LEFT

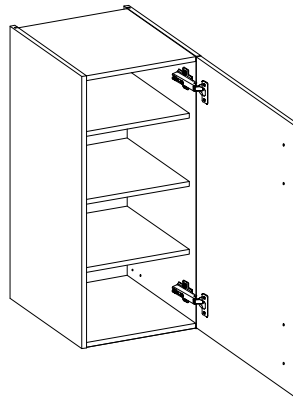
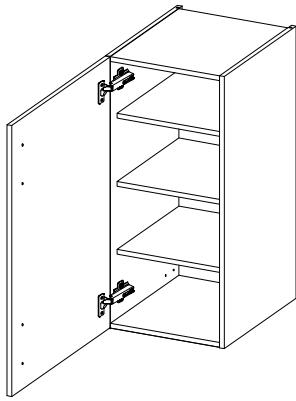
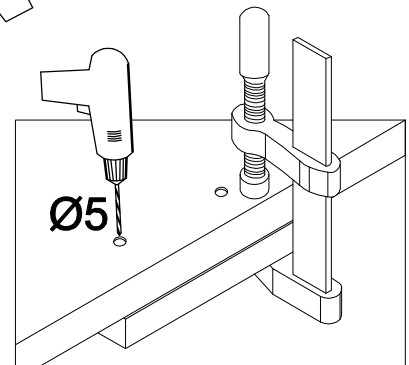
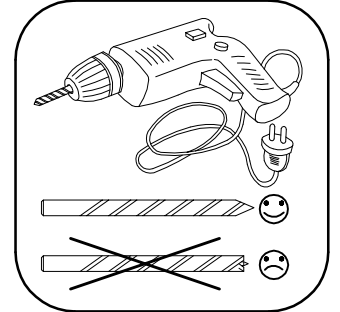
RIGHT





KUH.70770

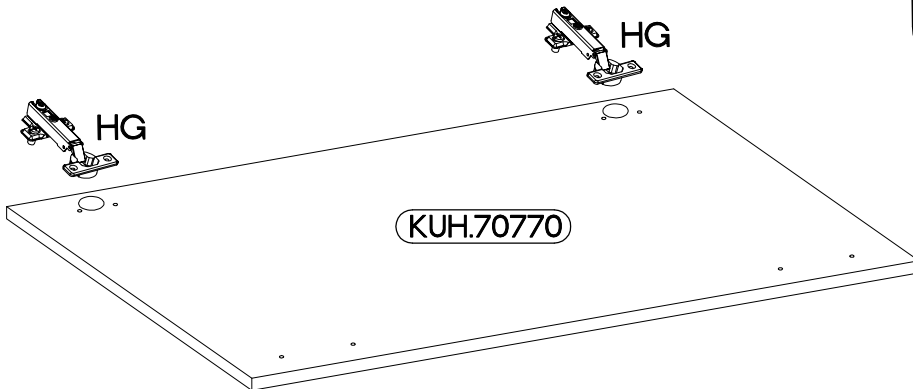
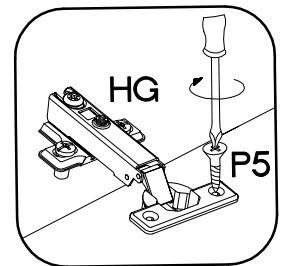


KUH.70770



2

	
†35/0mm	†3.5x13mm
HG	P5
2	4

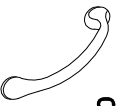


M4x22mm



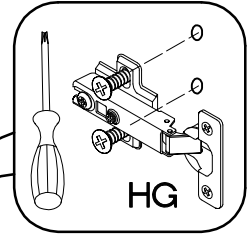
U

2

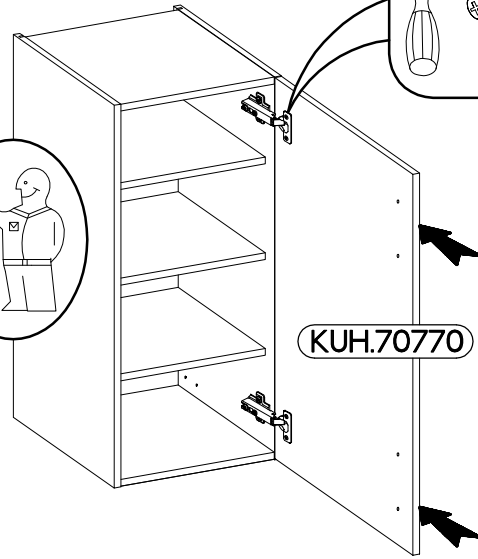
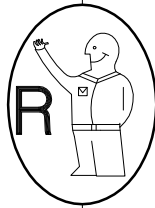


S

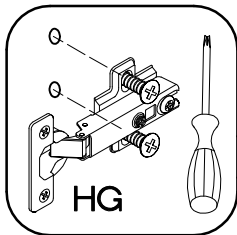
1



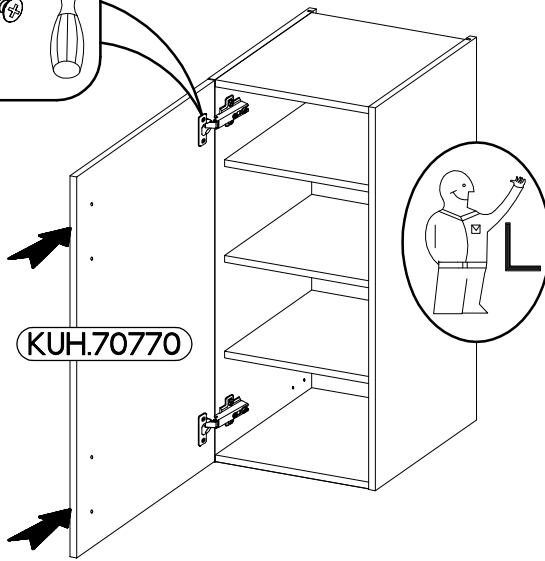
HG



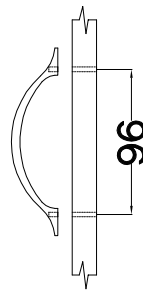
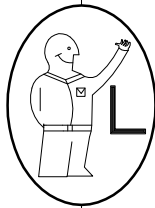
KUH.70770



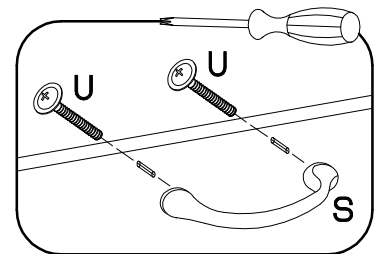
HG



KUH.70770

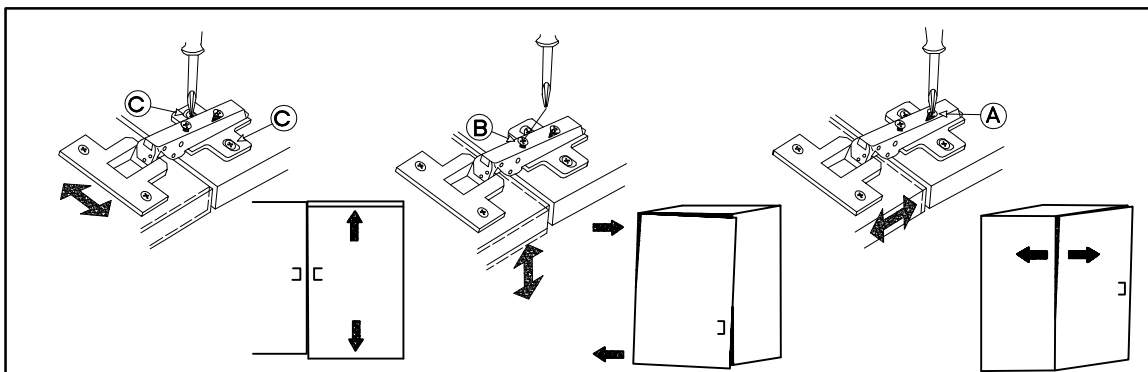


96



U

S

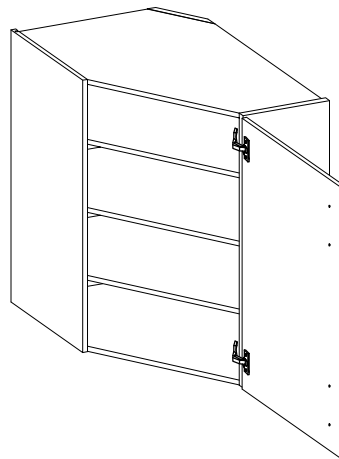
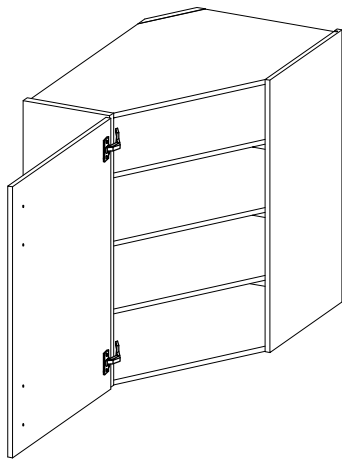
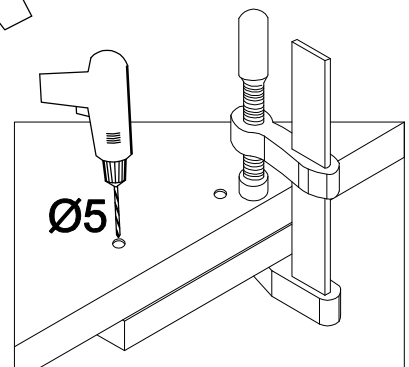
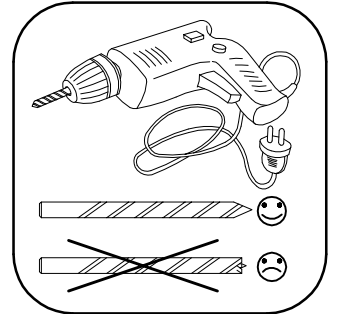
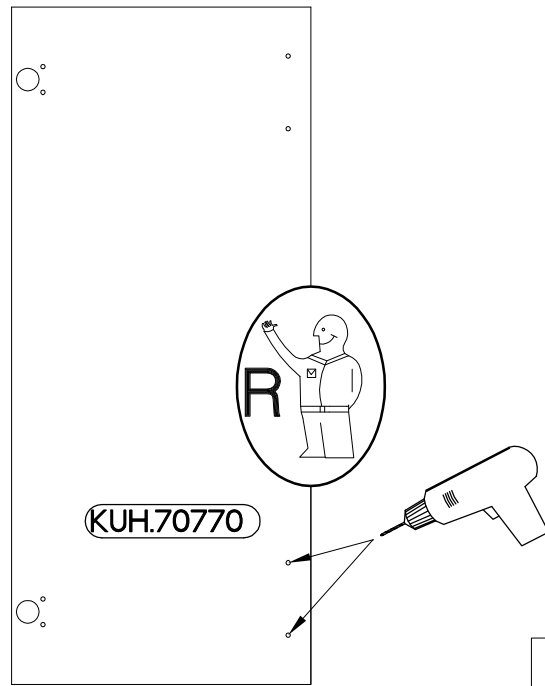
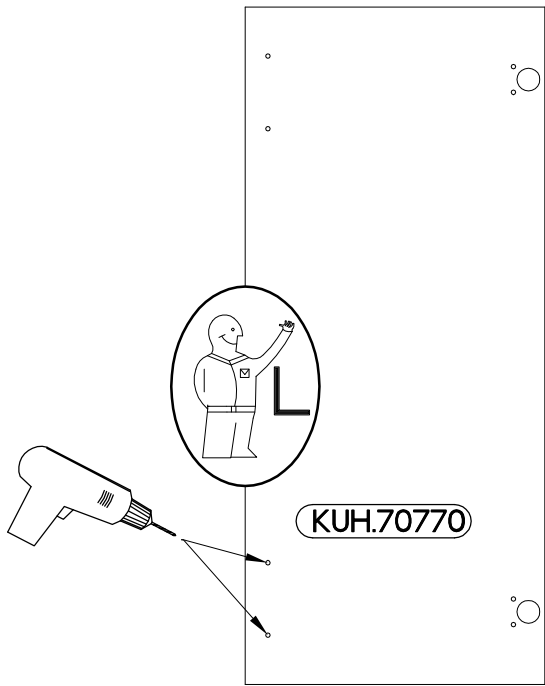


# 4


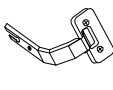

# 58x58 GN-90 1F

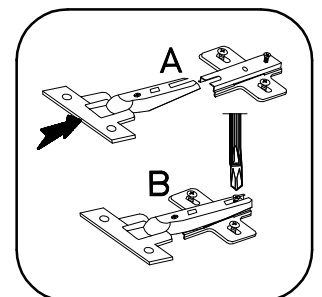
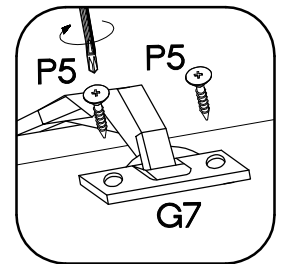
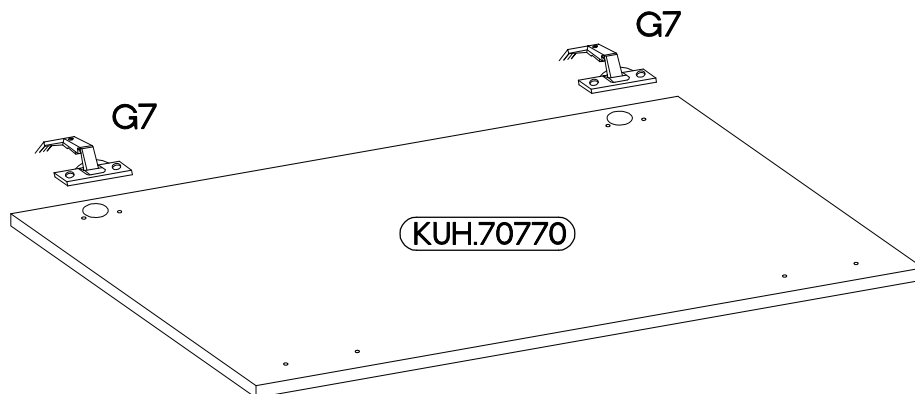
## LEFT

## RIGHT



# 5

		
<b>H</b>	<b>G7</b>	<b>P5</b>
<b>2</b>	<b>2</b>	<b>4</b>



6

M4x22mm



U

2



S

1

