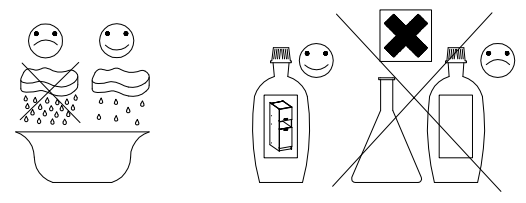
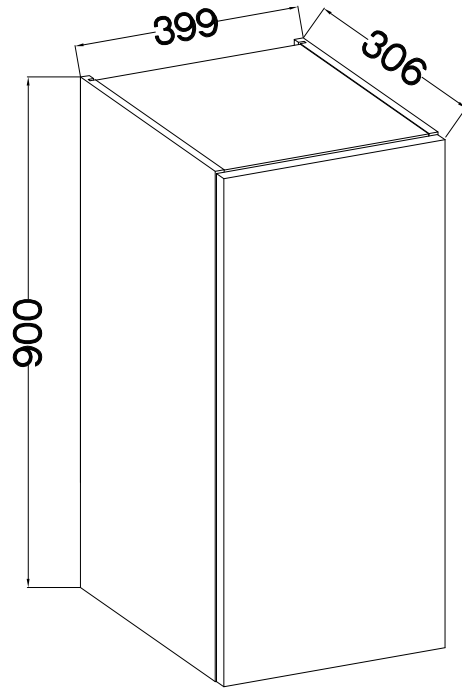
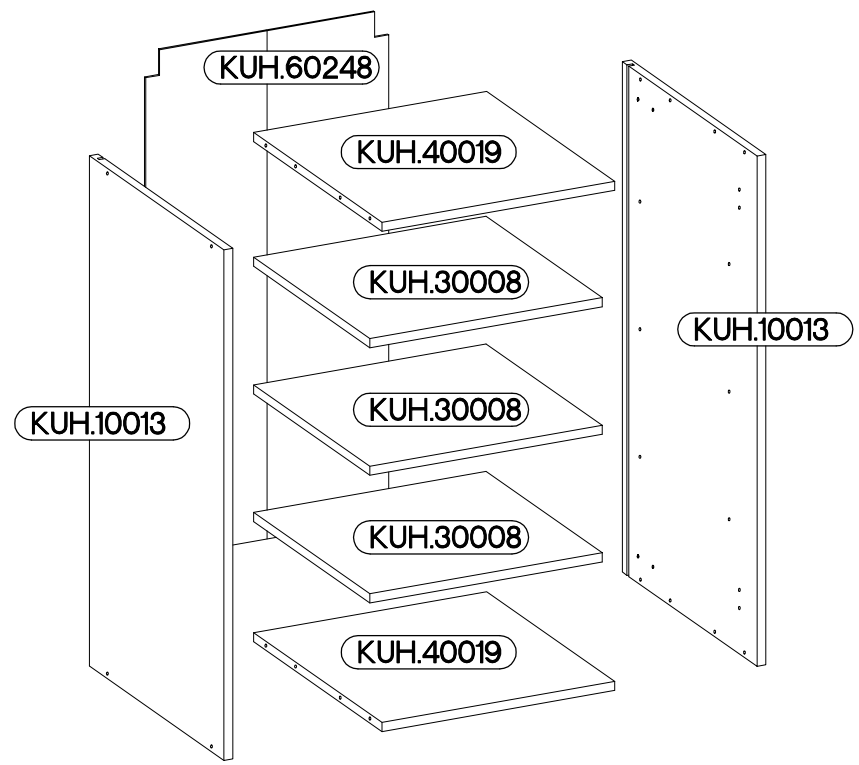
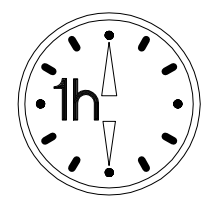


Ø10mm
40 G-90 1F

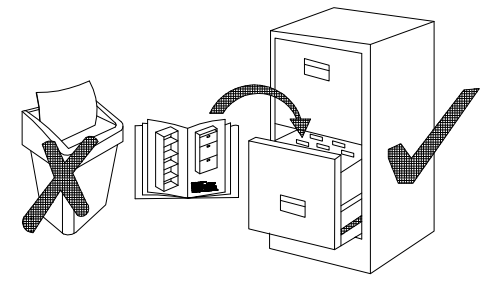


max.
5kg

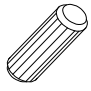

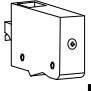
KUH.30008
KUH.40019

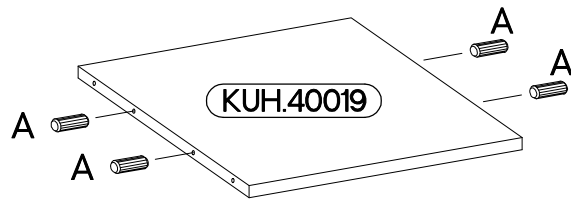
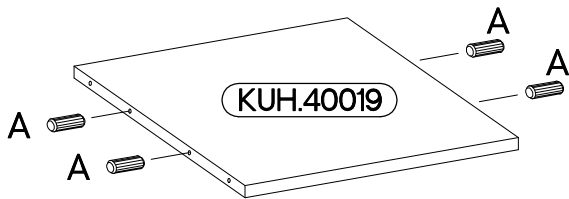
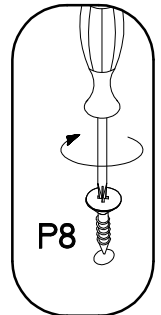
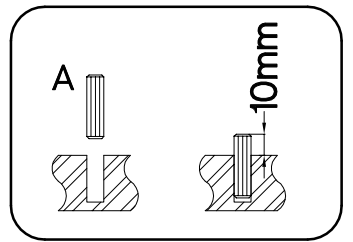
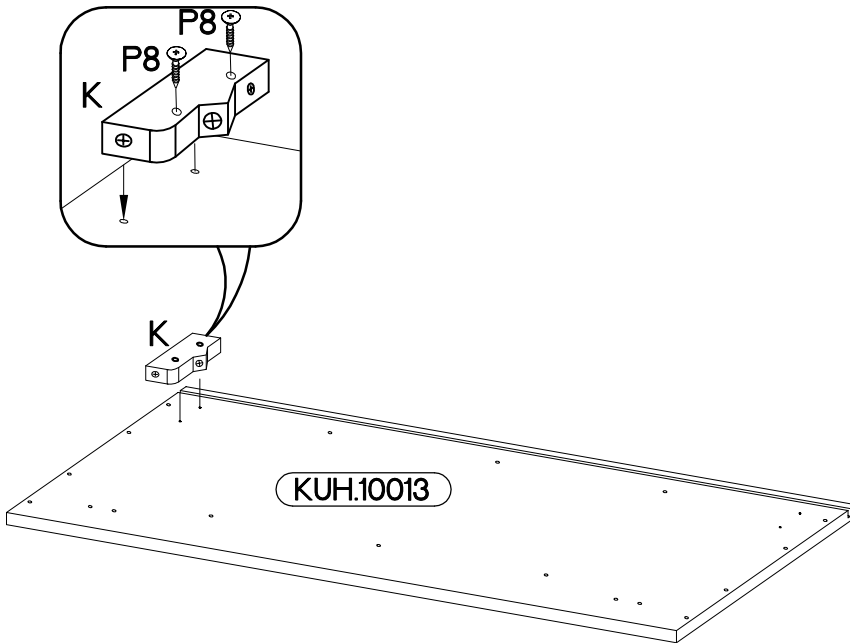
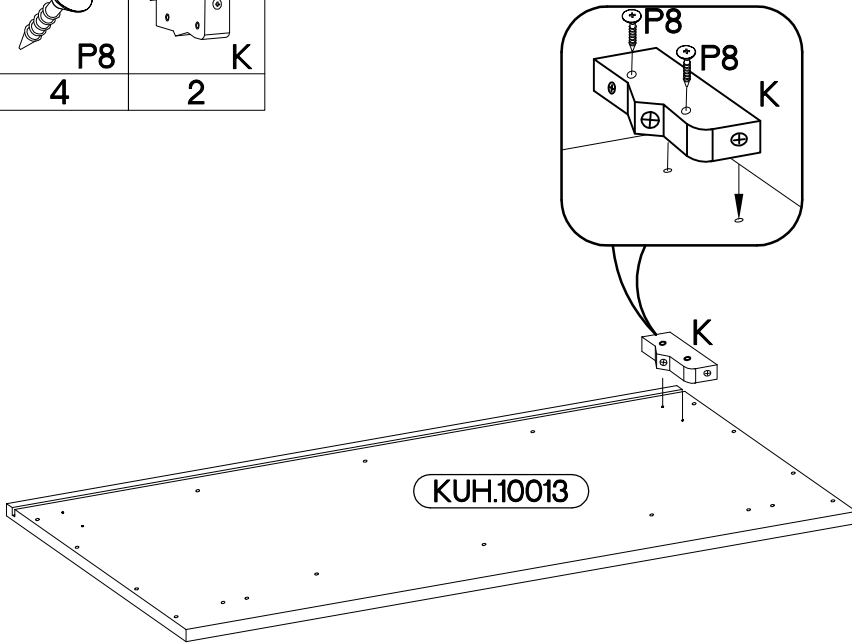
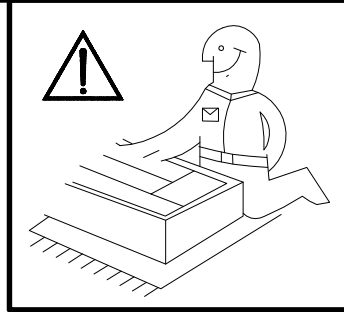


†8x30mm A 8	6,4 x 50mm B 8	 E1 8	†35/0mm HG 2		
†5/19mm J 12	 K 2	 O 1	†3.5x13mm P5 4	†3.0x20mm P7 8-10	†4.0x30mm P8 4

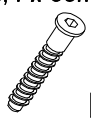
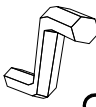



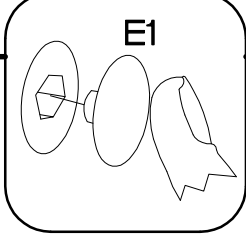
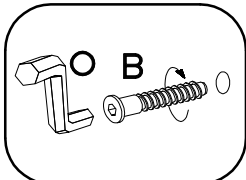
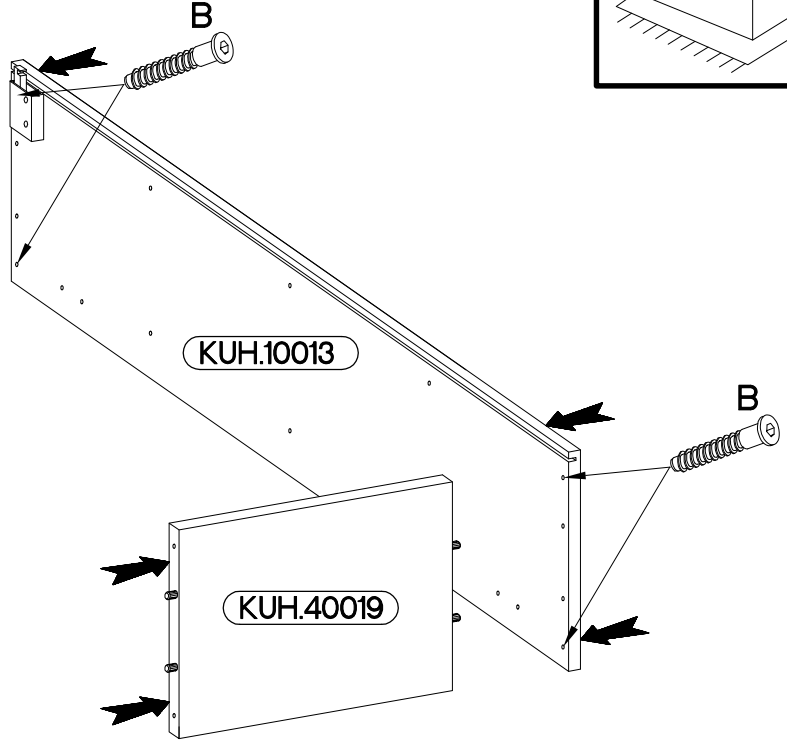
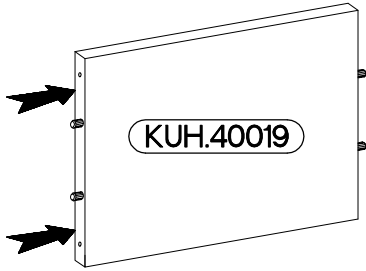
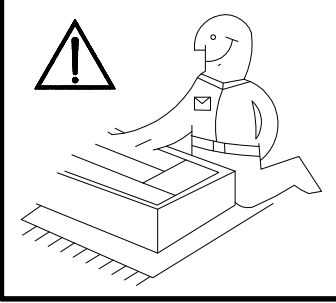
ISM-KUH-01135

 ±8x30mm A	 ±4.0x30mm P8	 K
8	4	2

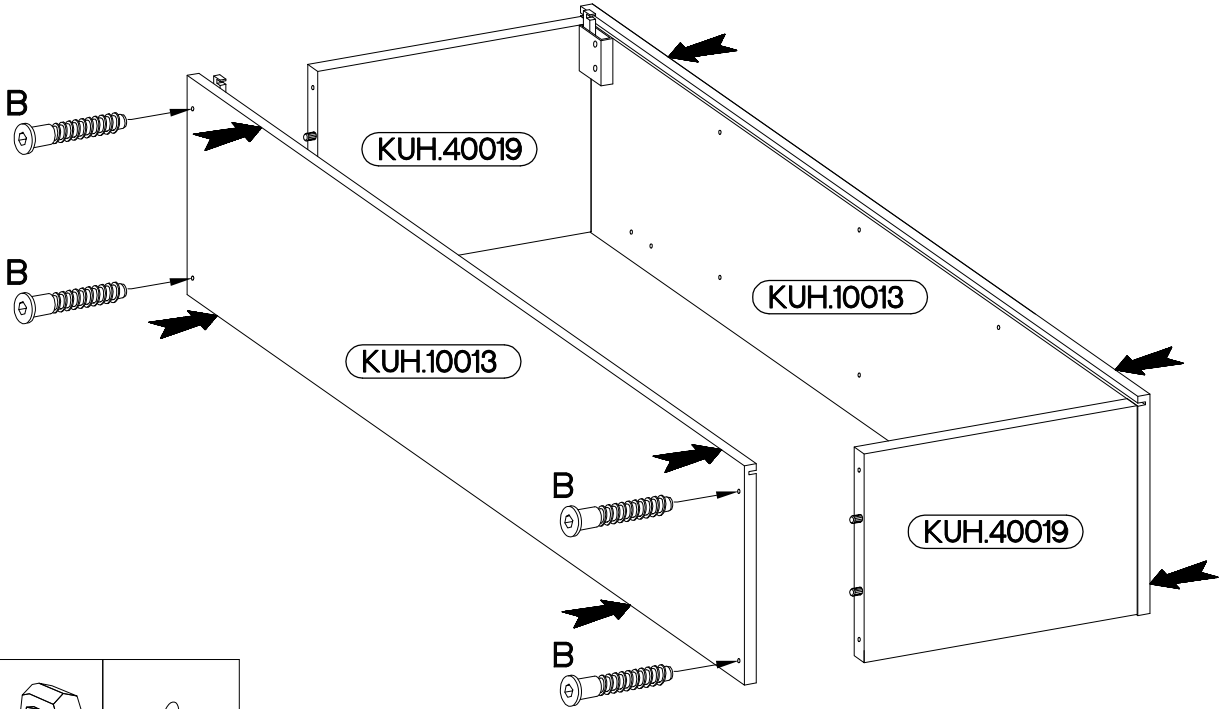


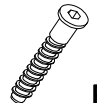
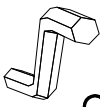

2

6,4 x 50mm		
		
B	O	E1
4	1	4

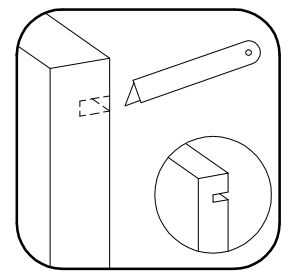
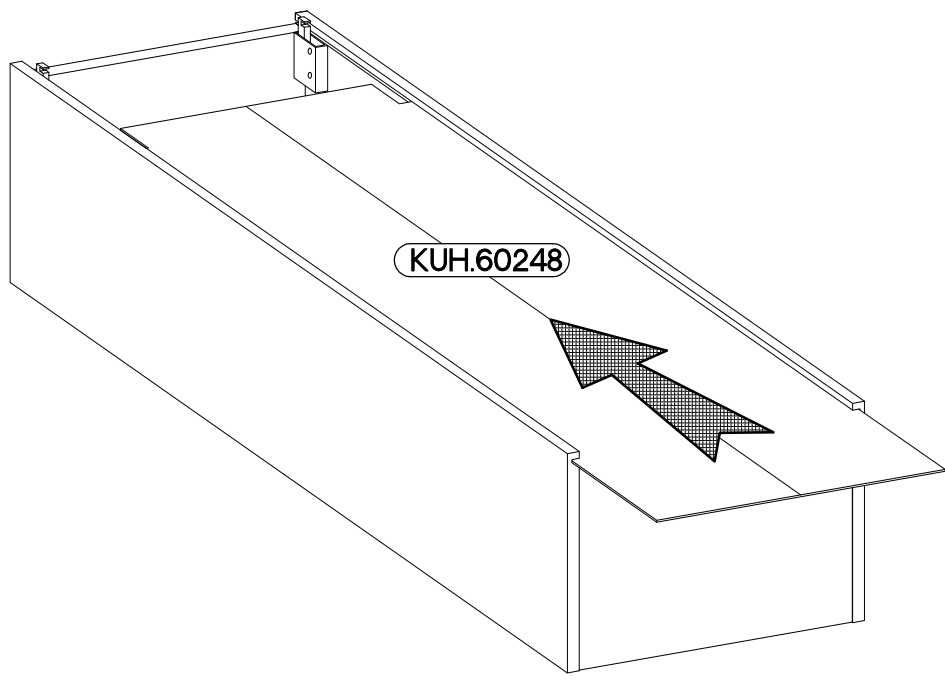
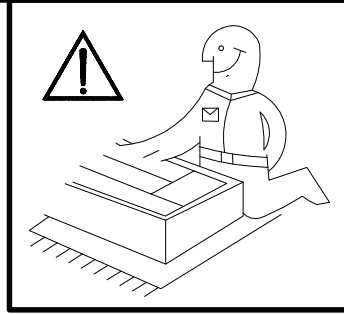


3

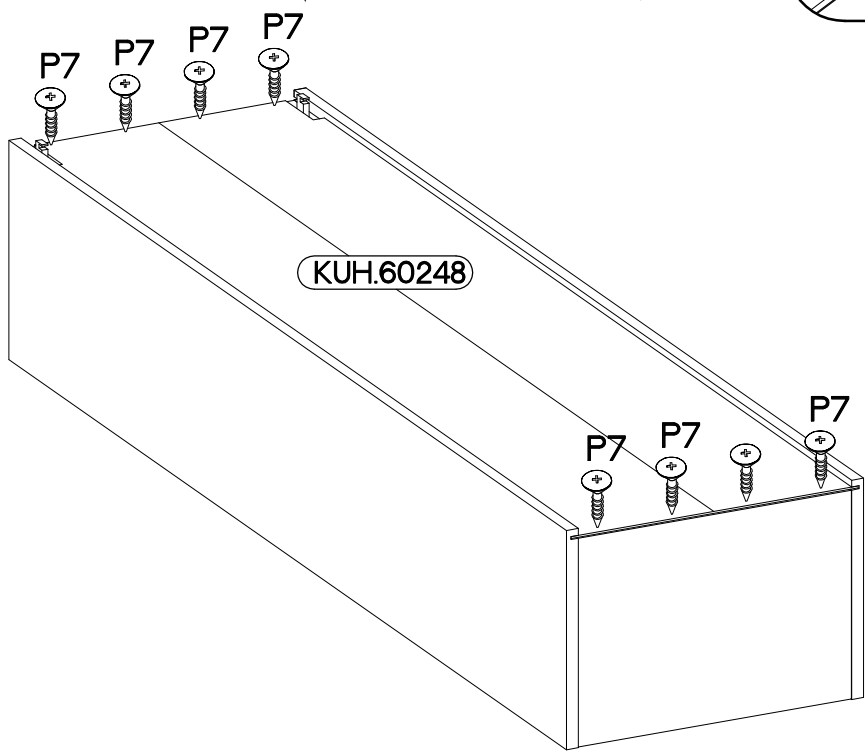
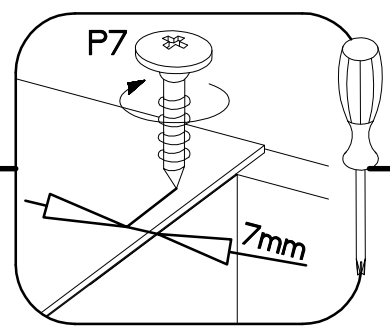
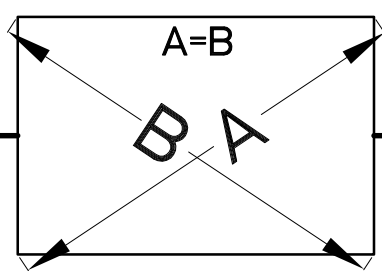
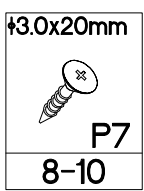


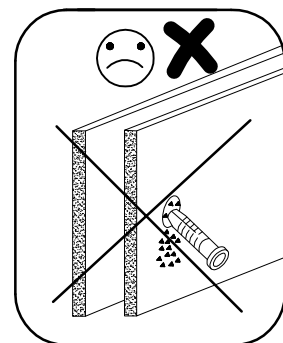
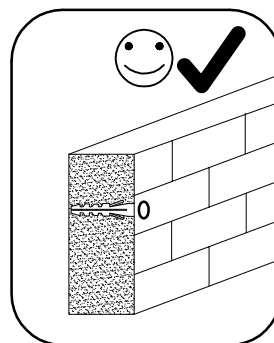
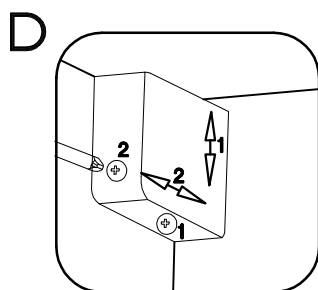
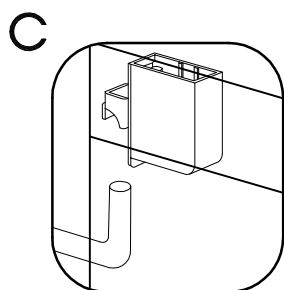
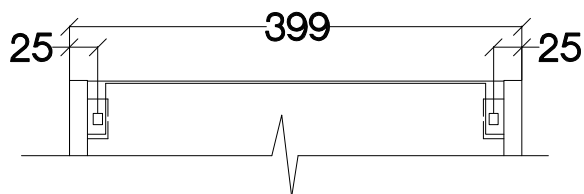
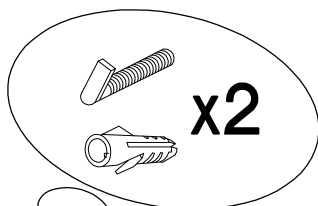
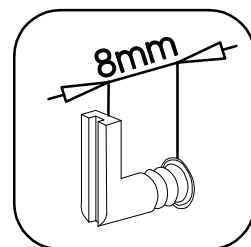
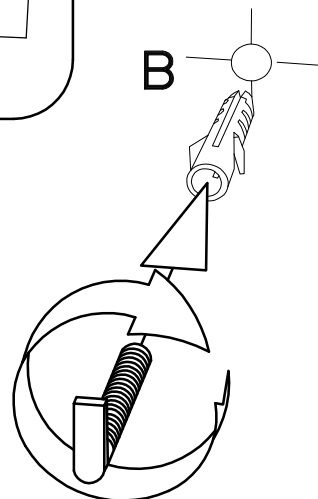
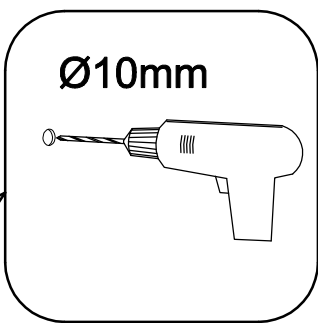
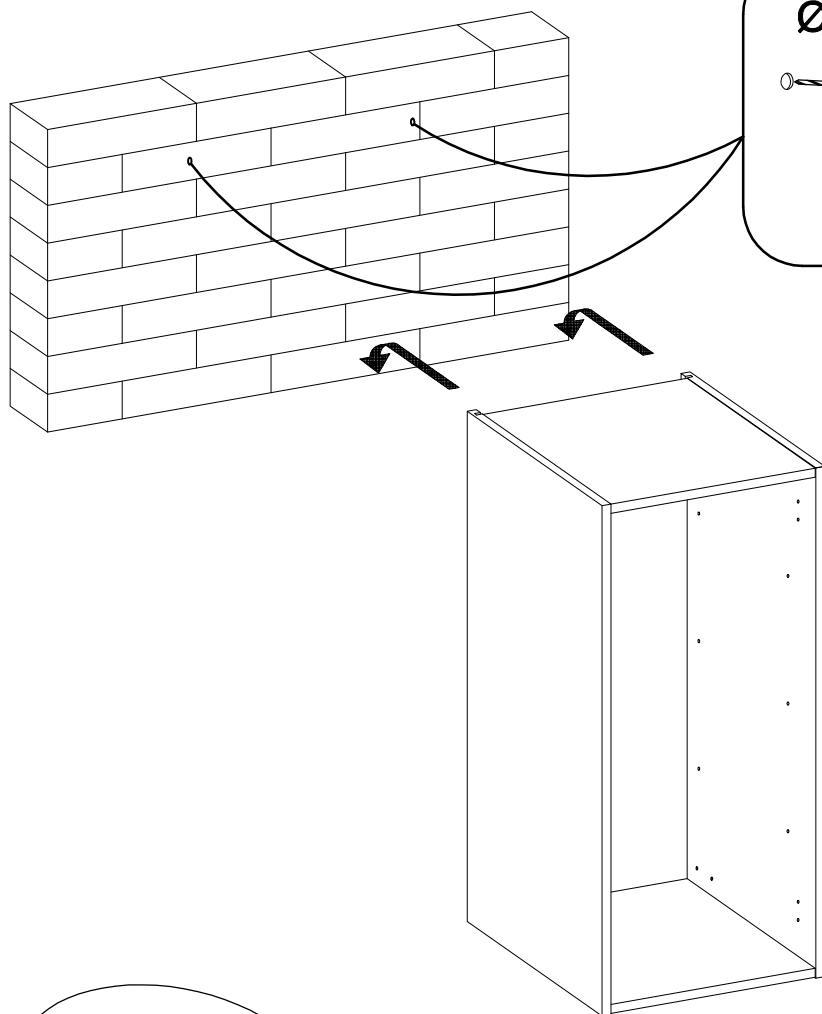
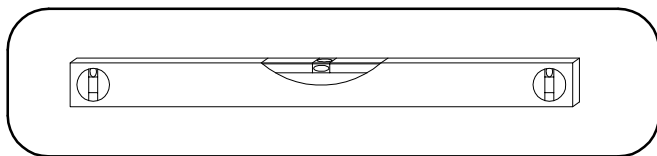
6,4 x 50mm		
		
B	O	E1
4	1	4

4

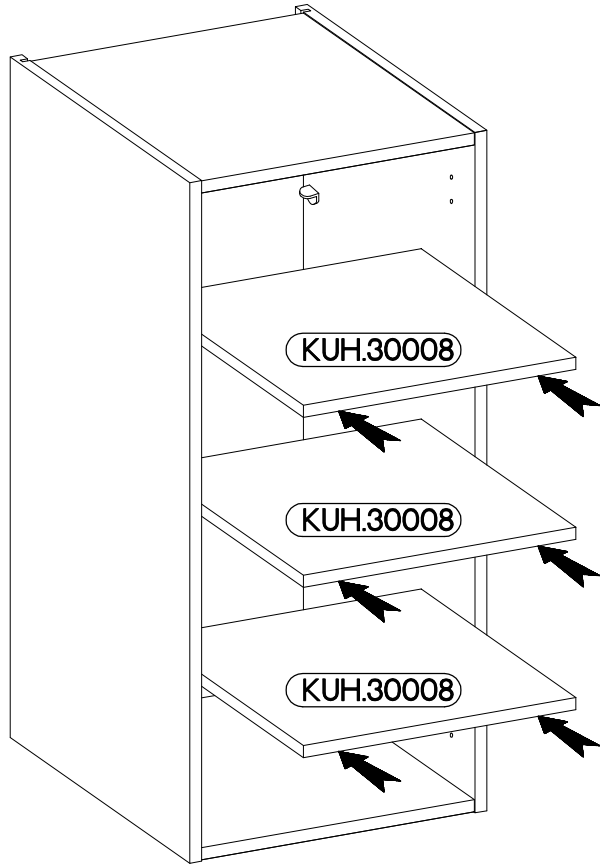
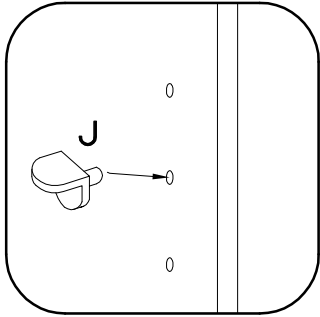
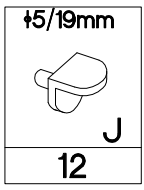


5





7



8

FRONT

