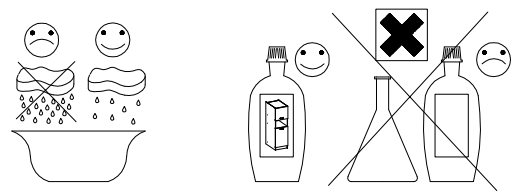
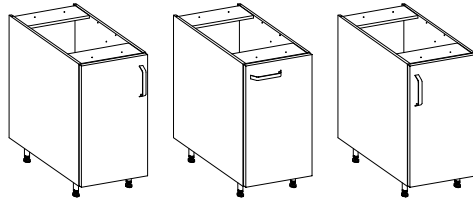
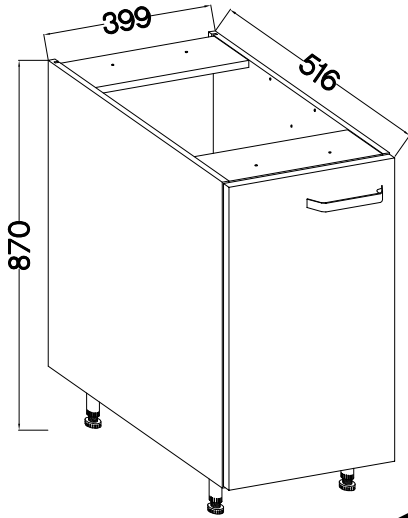


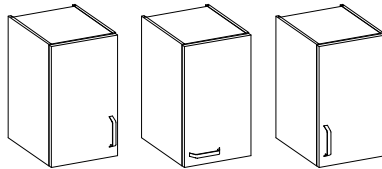
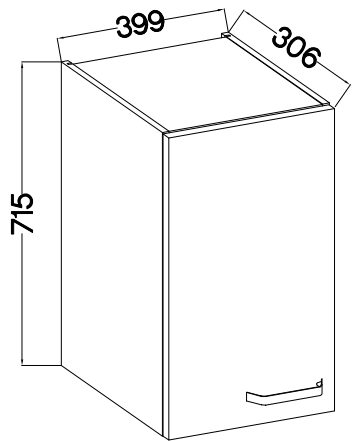
713x396
FRONT



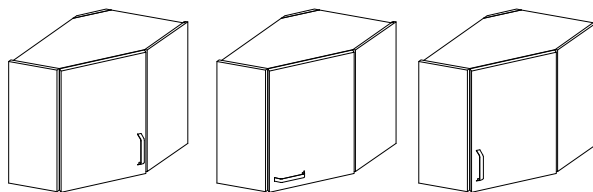
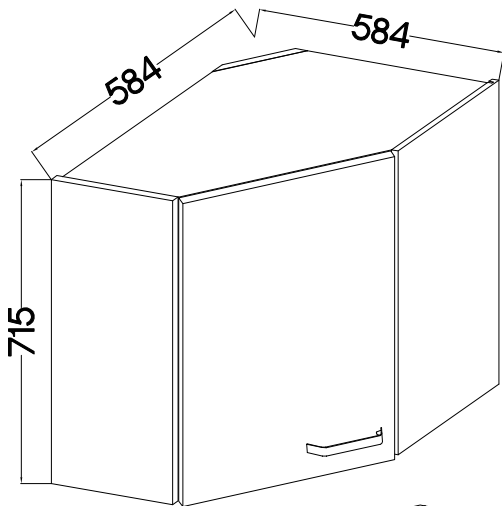
40 D 1F BB



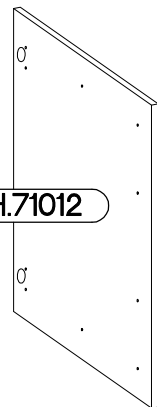
40 G-72 1F



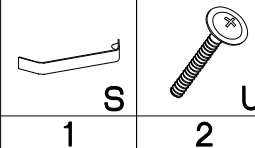
58x58 GN-72 1F



KUH.71012



L=160mm M4x22mm

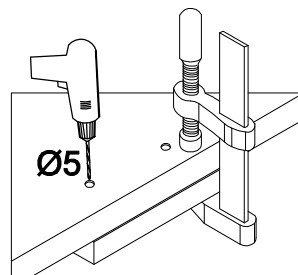
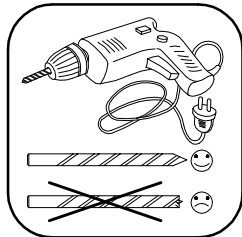
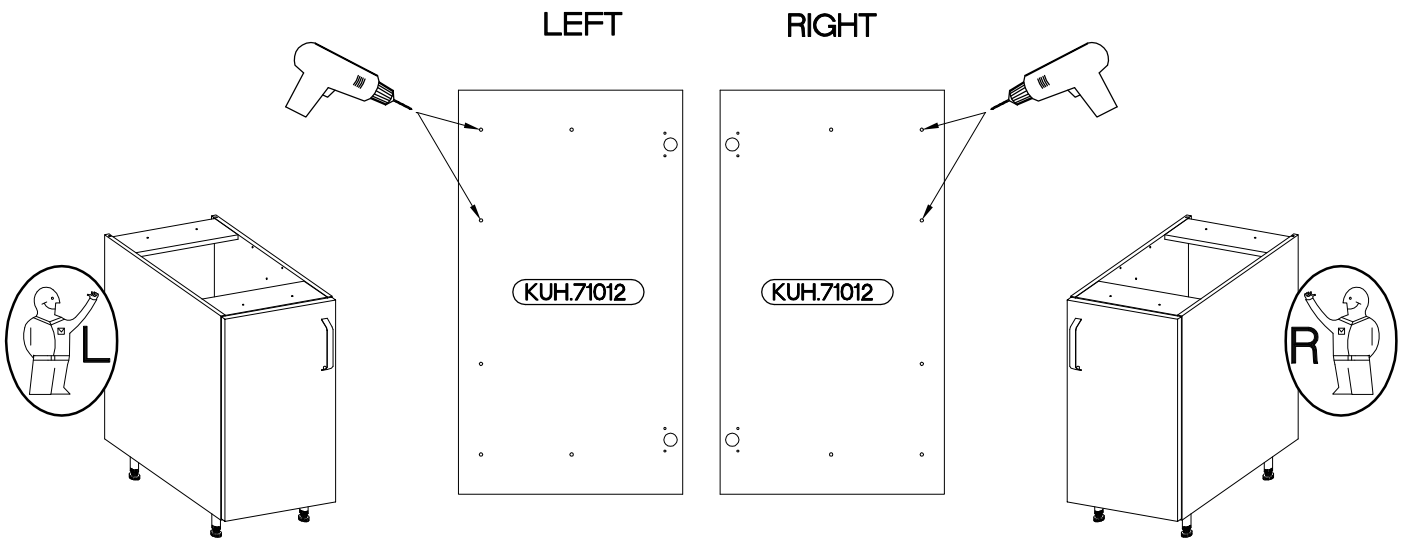
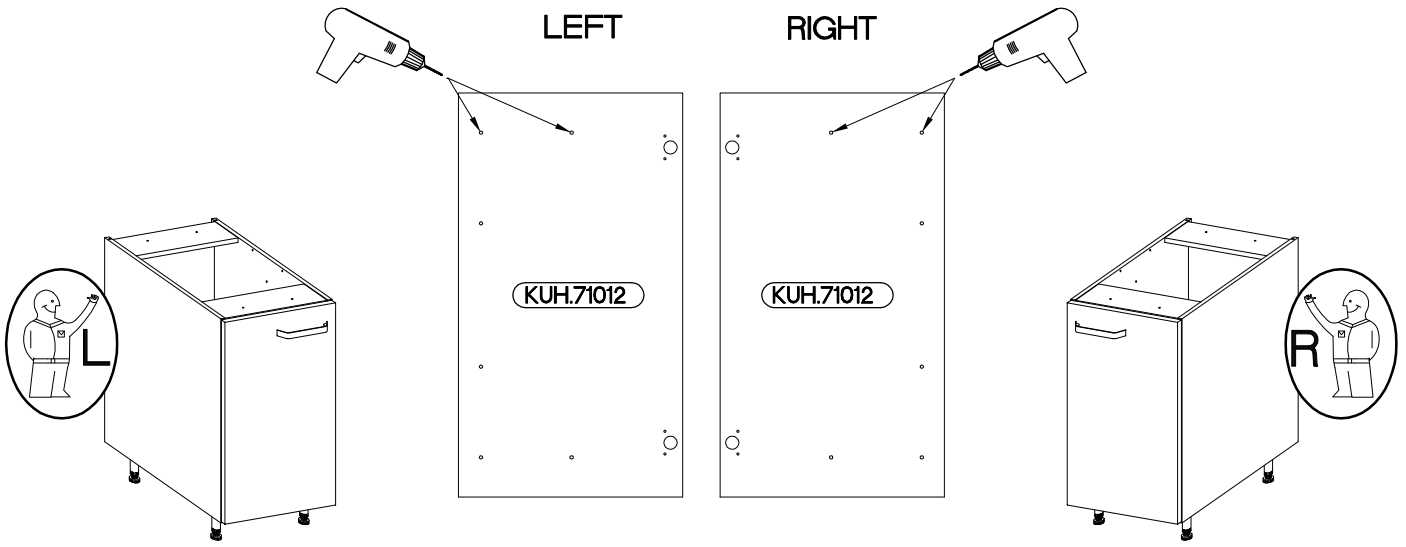


Ersatzteil Nummer	Dimension
KUH.71012	713x396x16

ISM-KUH-01849

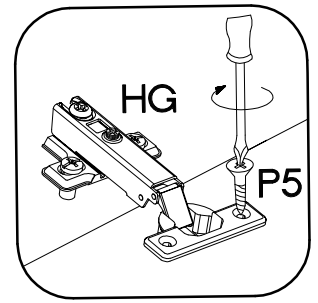
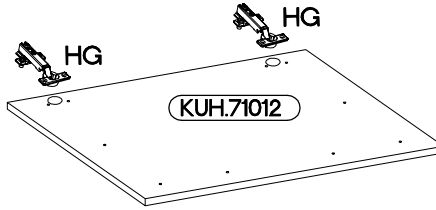
1

40 D 1F BB



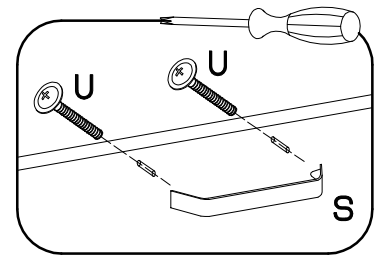
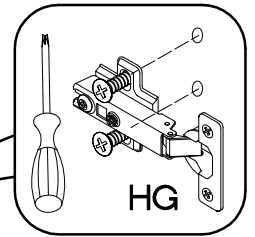
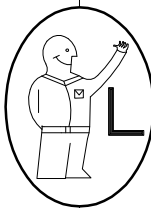
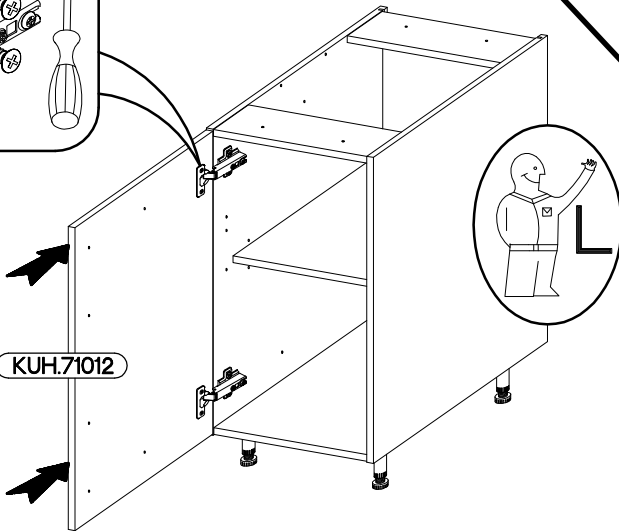
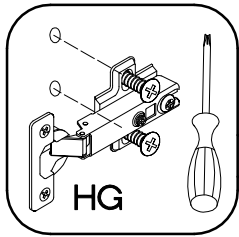
2

±35/0mm [CD] HG 2	±3.5x13mm P5 4
----------------------------	----------------------

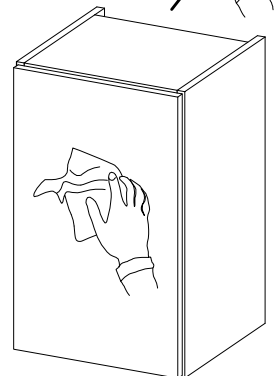
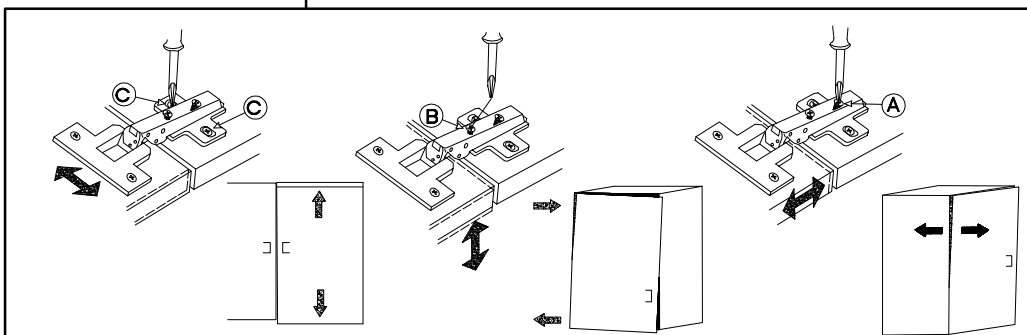
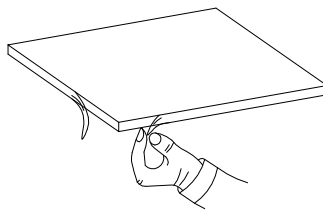


3

L=160mm S 1	M4x22mm U 2
-------------------	-------------------

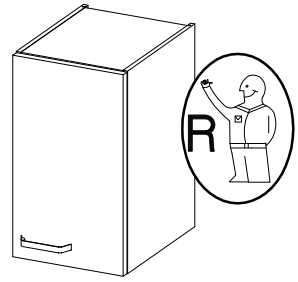
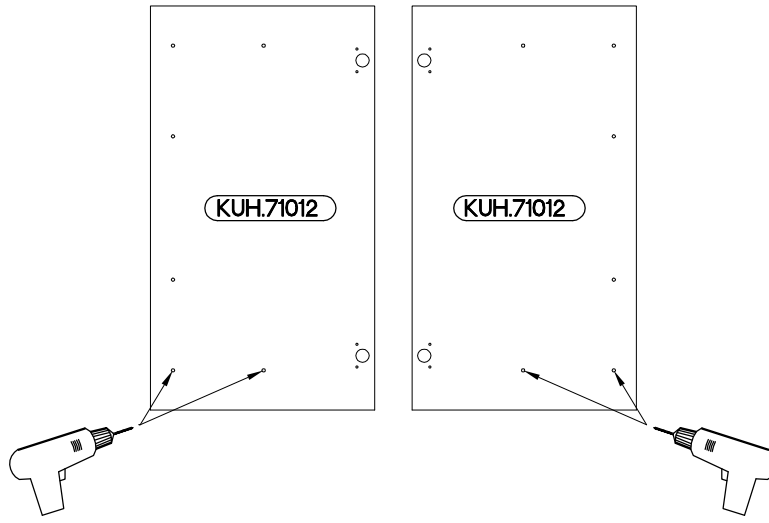
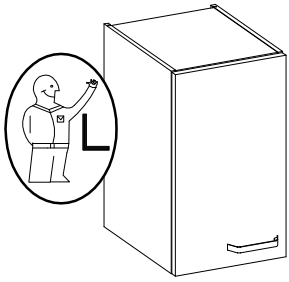


VARIANT HIGH GLOSS



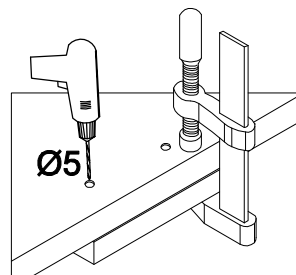
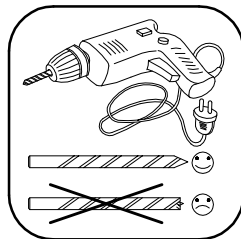
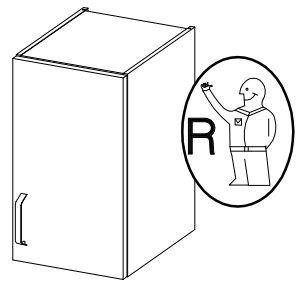
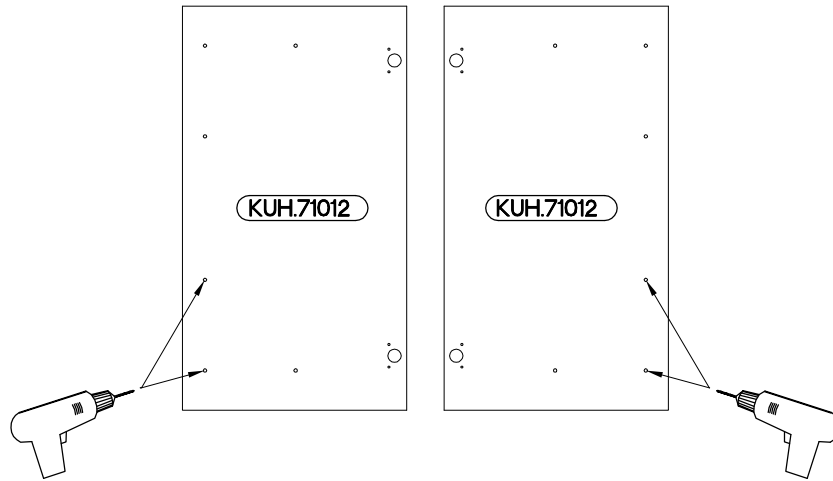
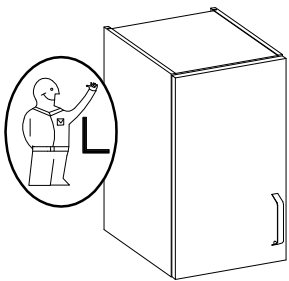
LEFT

RIGHT





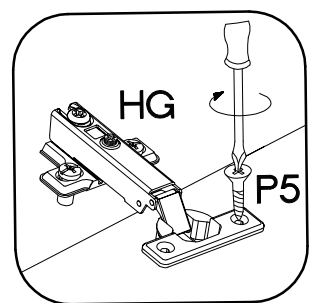
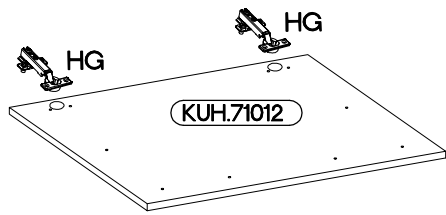
LEFT

RIGHT





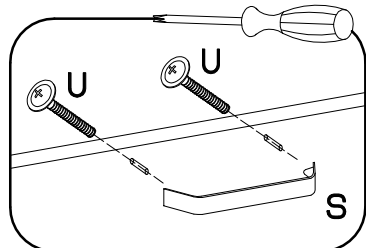
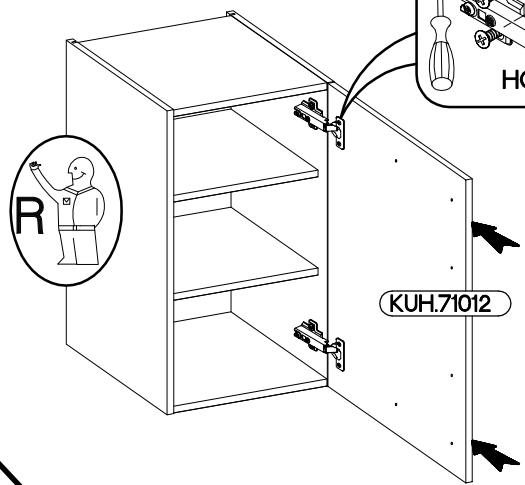
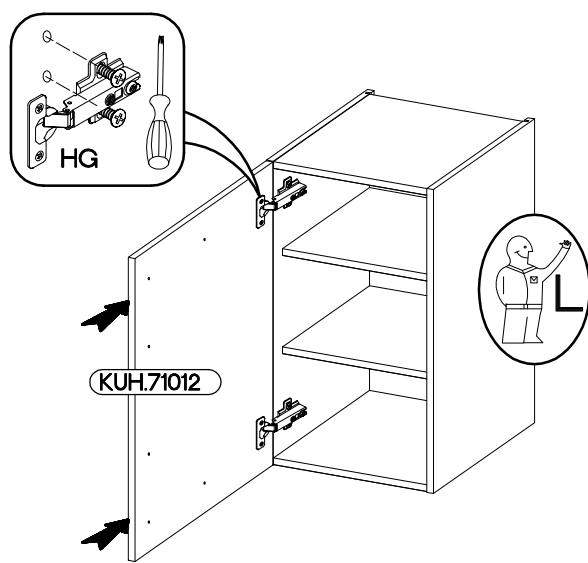
5

$\pm 35/0\text{mm}$  [CD] HG 2	$\pm 3.5 \times 13\text{mm}$  P5 4
---	---

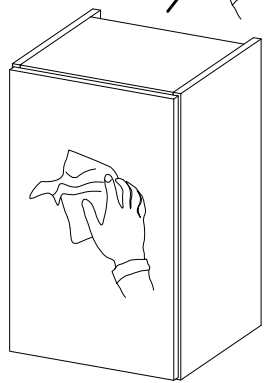
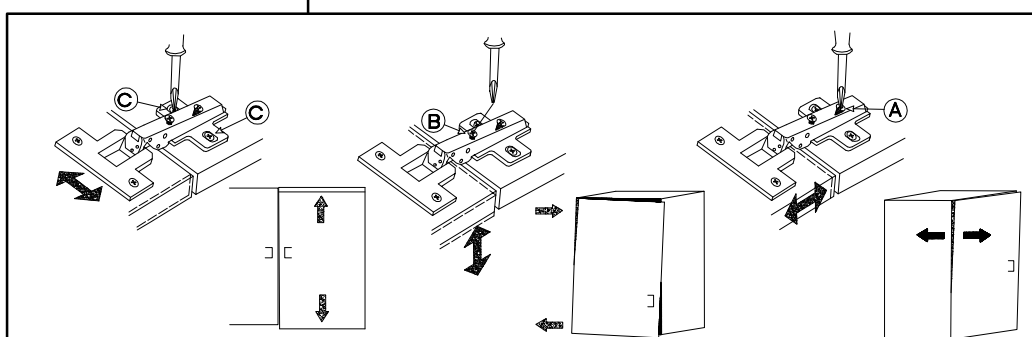
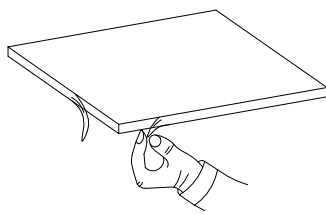


6

$L=160\text{mm}$  S 1	$M4 \times 22\text{mm}$  U 2
---	--

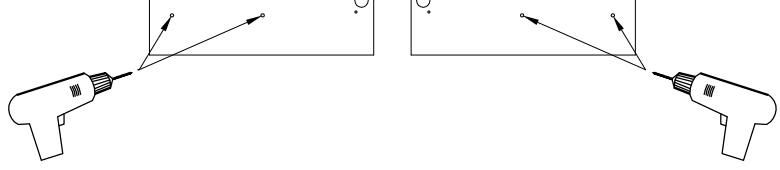
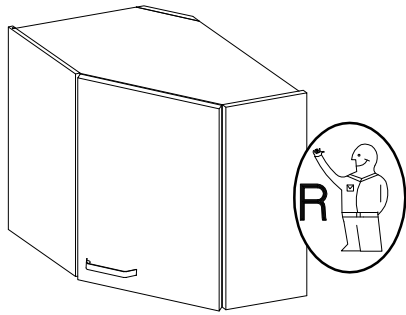
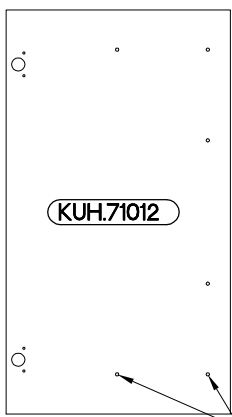
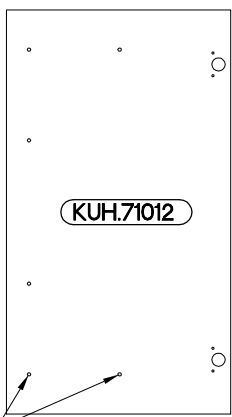
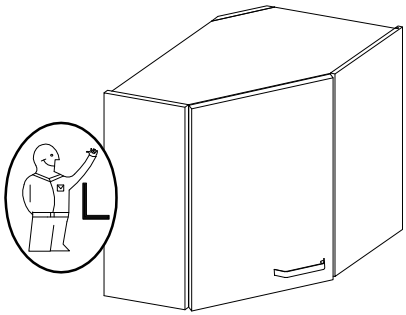


VARIANT HIGH GLOSS



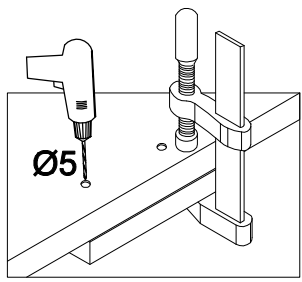
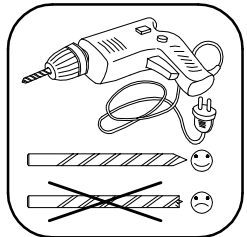
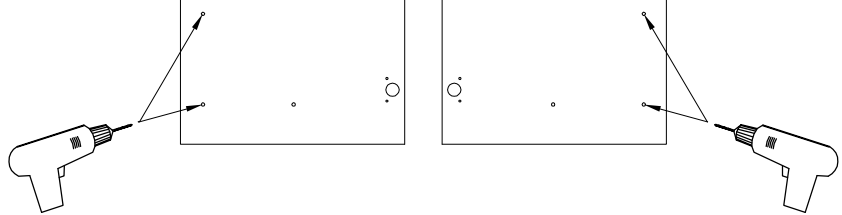
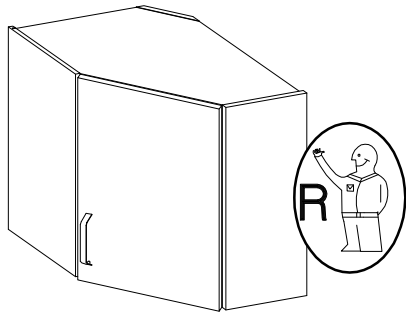
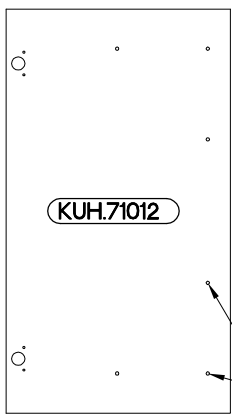
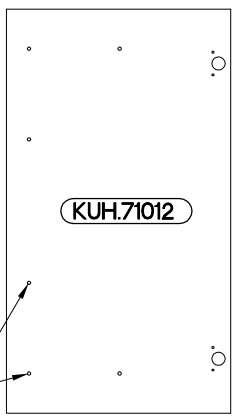
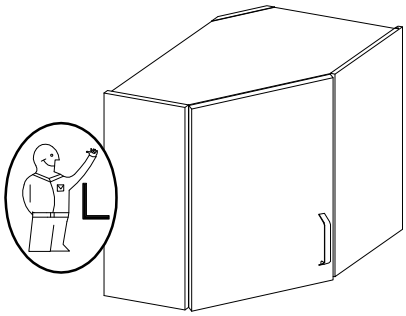
LEFT

RIGHT



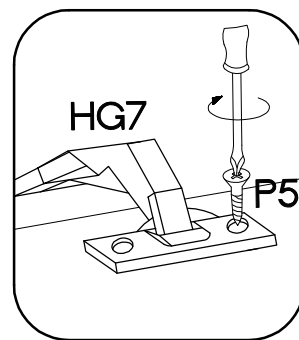
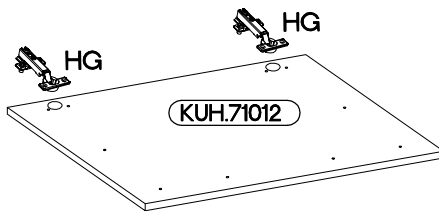
LEFT

RIGHT



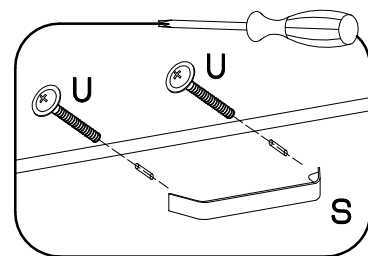
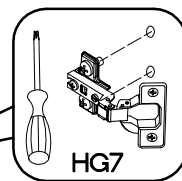
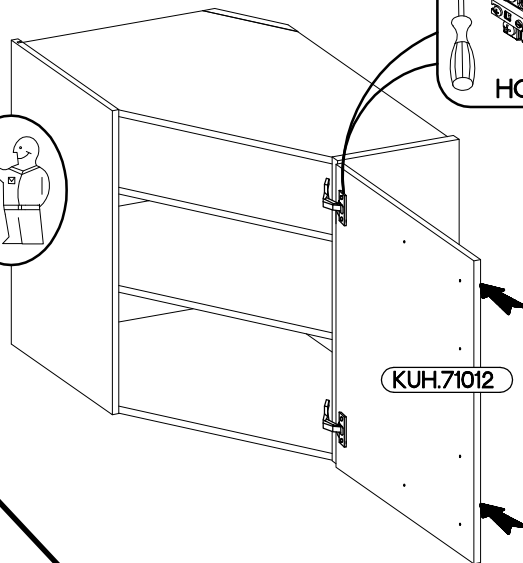
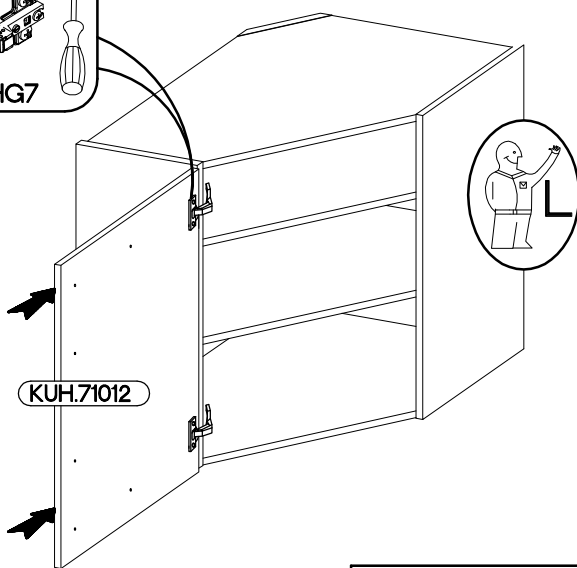
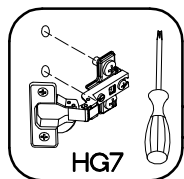
8

±35/0mm [CD] HG 2	±3.5x13mm P5 4
----------------------------	----------------------



9

L=160mm S 1	M4x22mm U 2
-------------------	-------------------



VARIANT HIGH GLOSS

