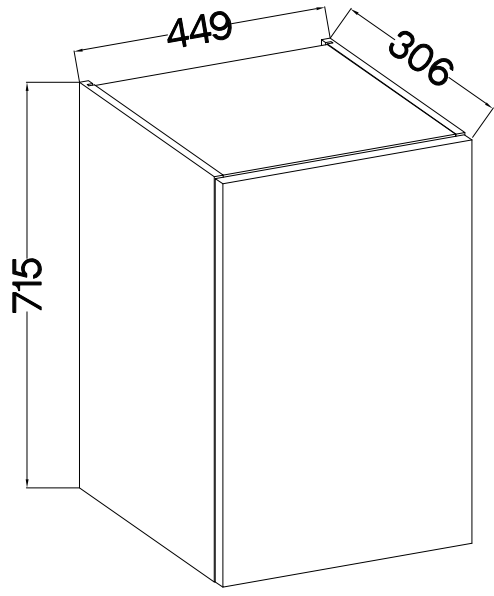
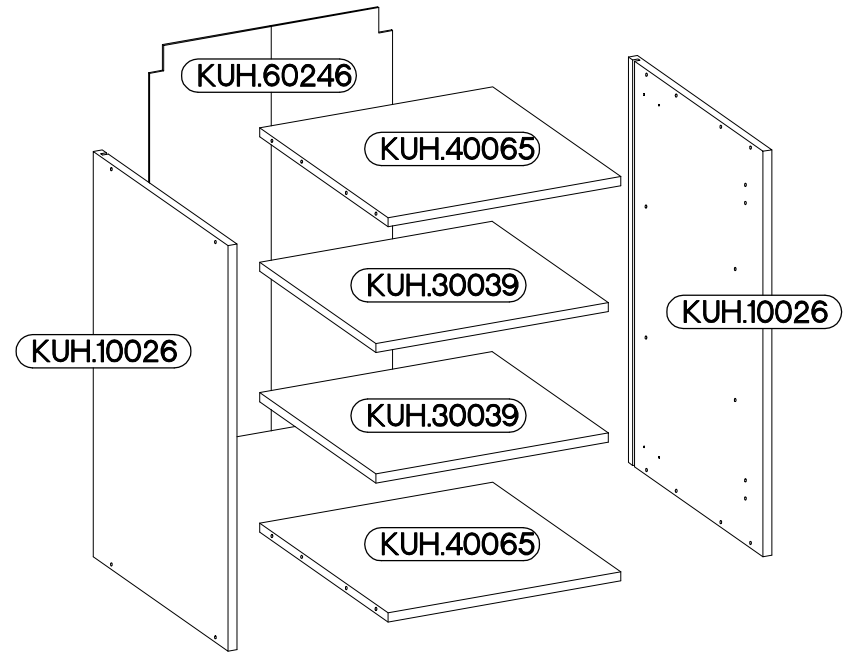
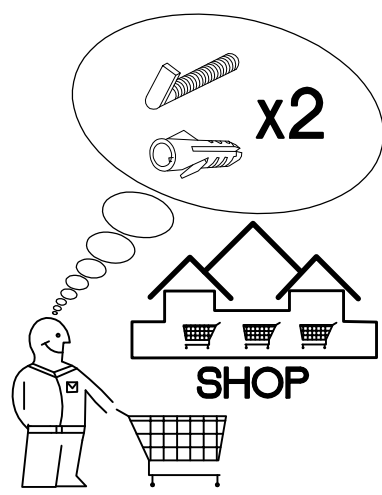
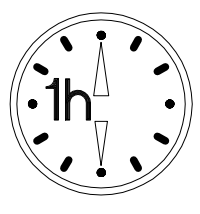
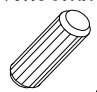




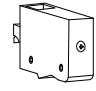
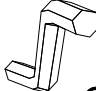


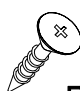


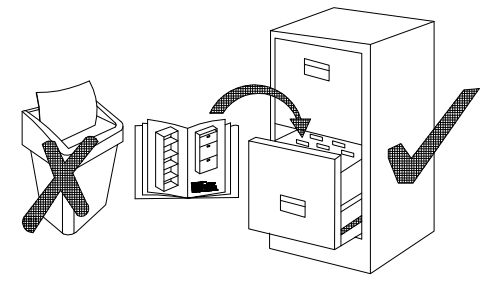
Ø10mm
45 G-72 1F



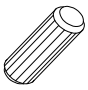
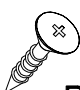

max. 5kg
KUH.30039
KUH.40065

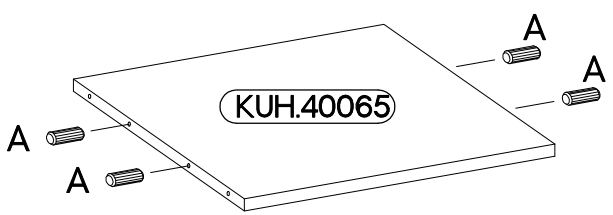
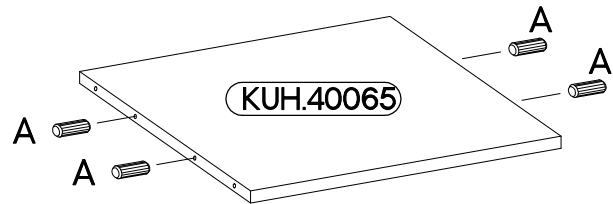
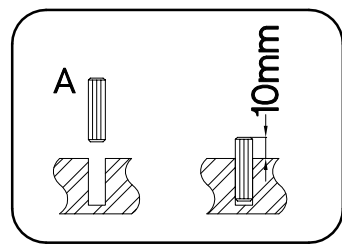
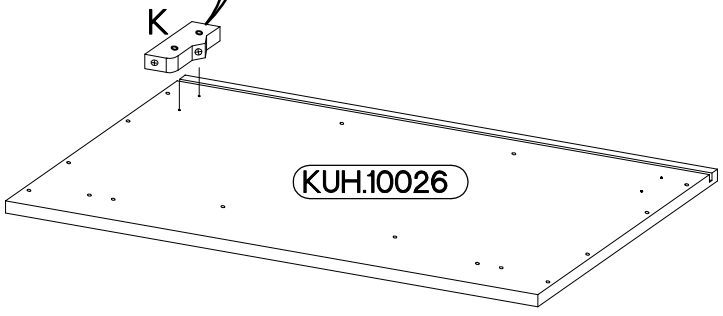
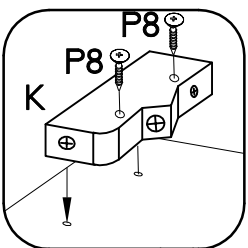
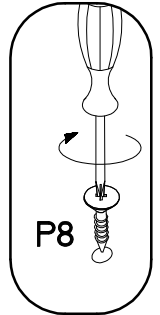
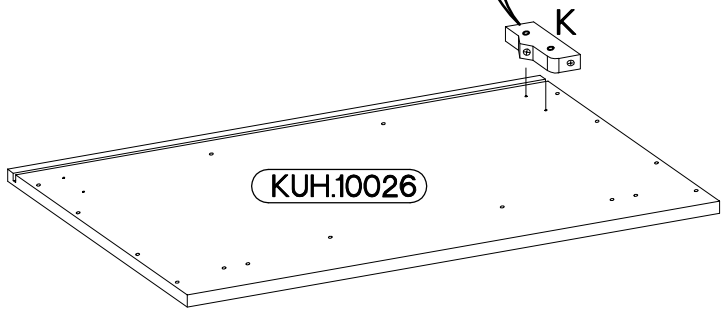
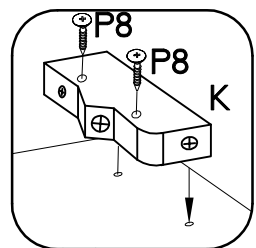
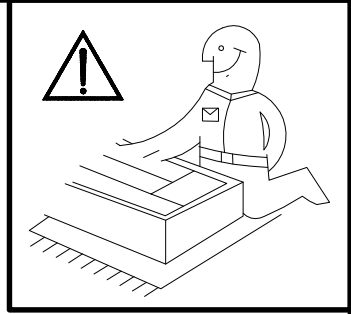


 8x30mm A 8	 6,4 x 50mm B 8	 E1 8	 ±35/0mm HG 2
 ±5/19mm J 8	 K 2	 O 1	 ±3.5x13mm P5 4
			 ±3.0x20mm P7 8-10
			 ±4.0x30mm P8 4



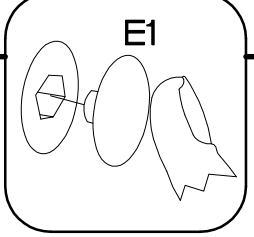
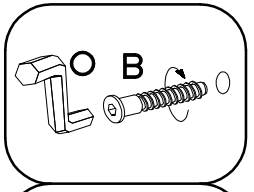
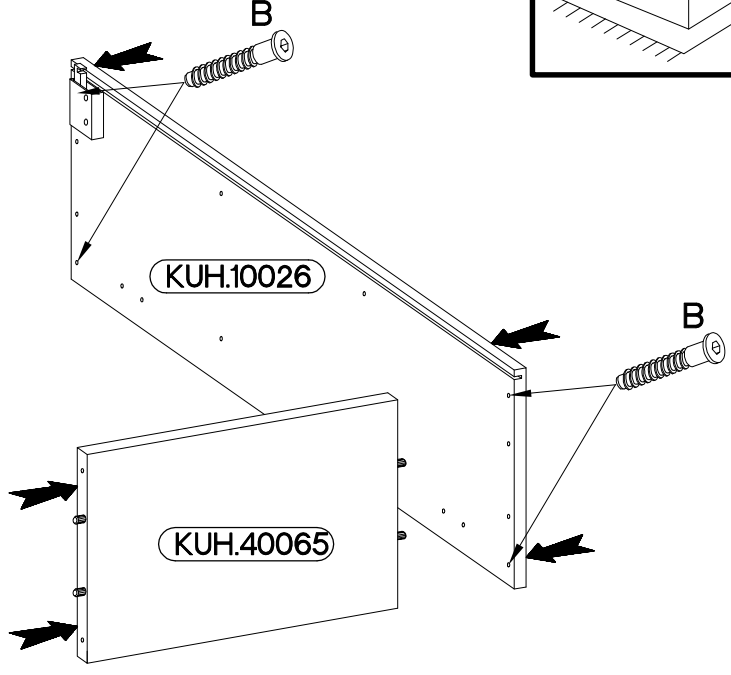
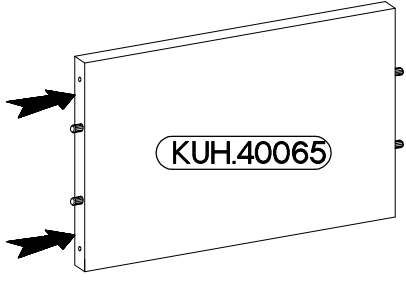
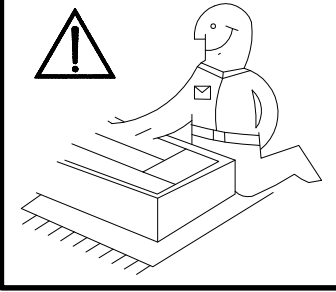
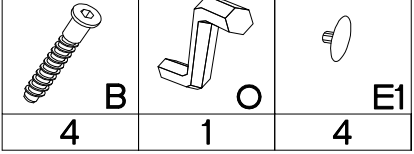
ISM-KUH-01136

$\pm 8 \times 30 \text{mm}$  A 8	$\pm 4.0 \times 30 \text{mm}$  P8 4	 K 2
---	--	--

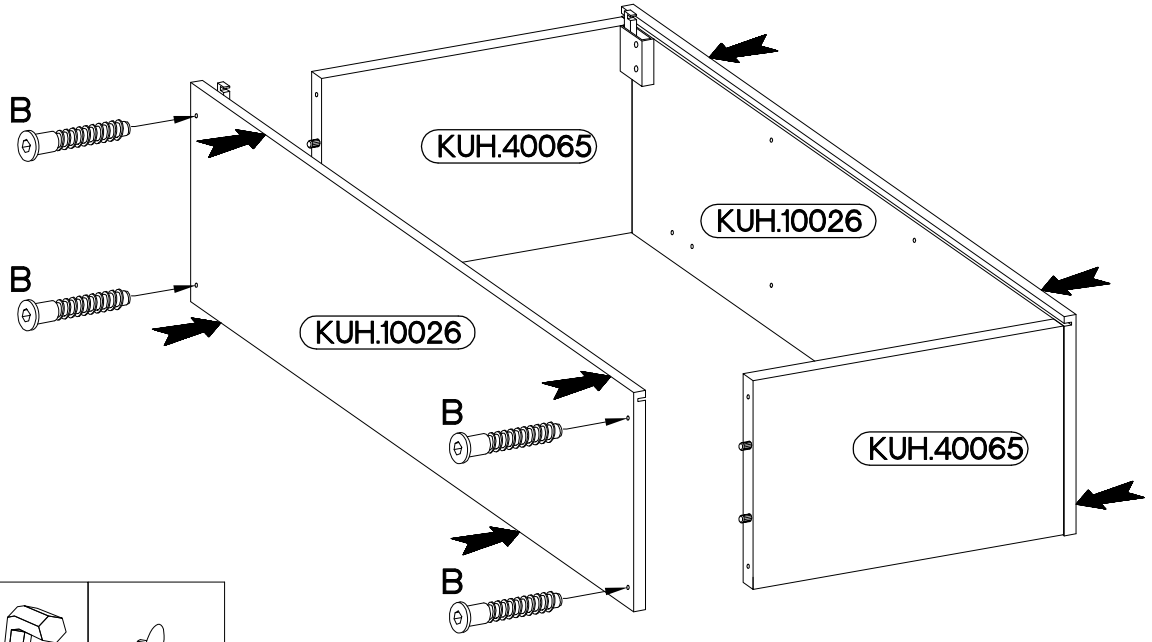


2

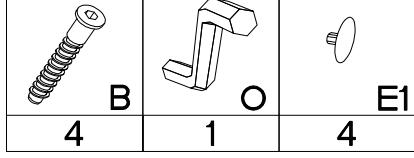
6,4 x 50mm



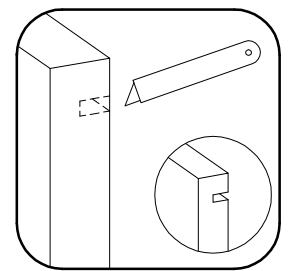
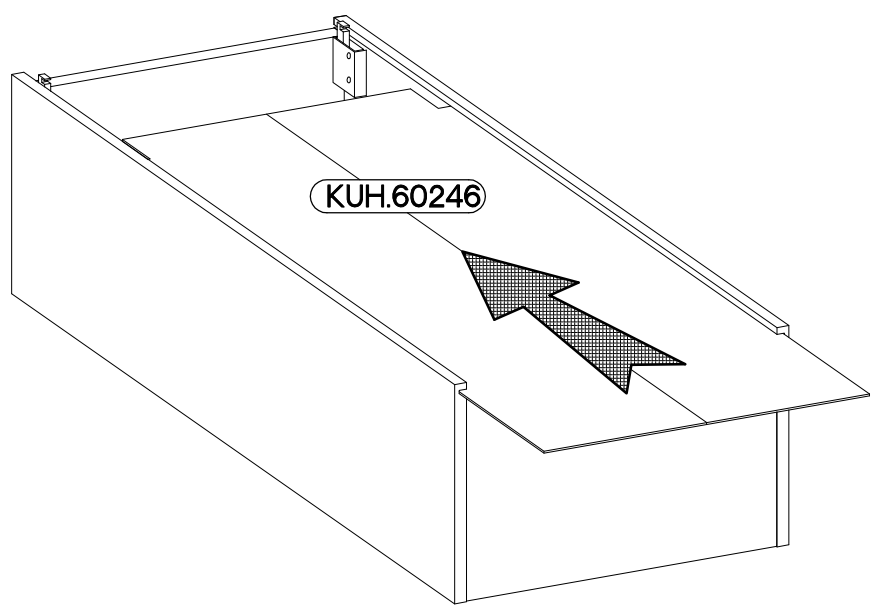
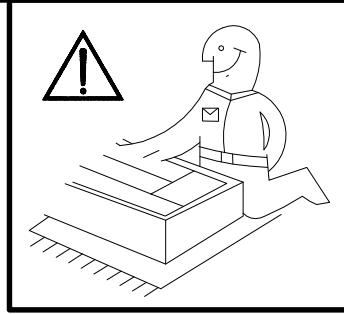
3



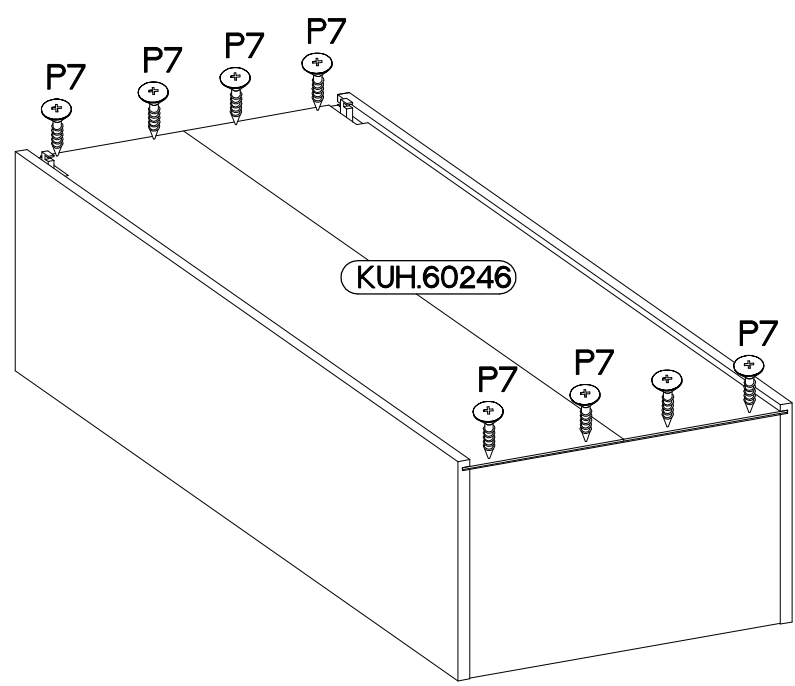
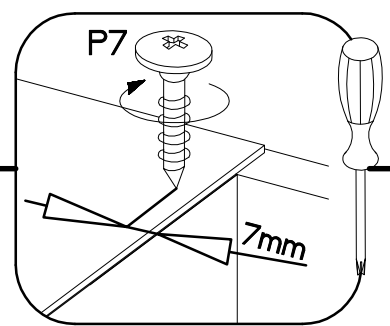
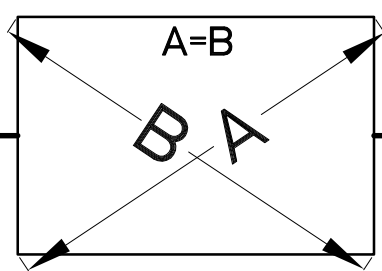
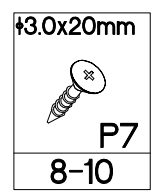
6,4 x 50mm

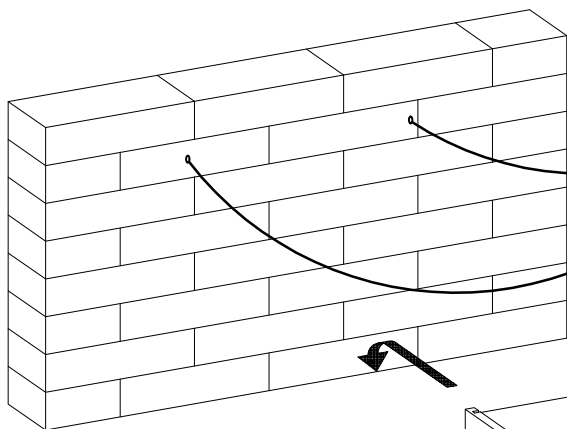
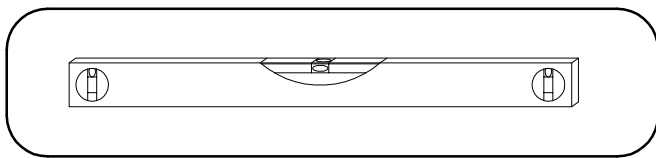


4

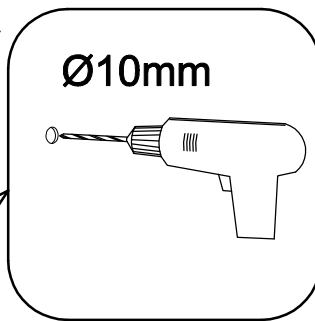


5

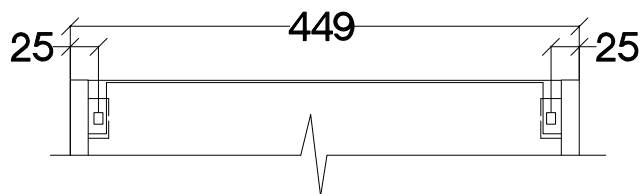
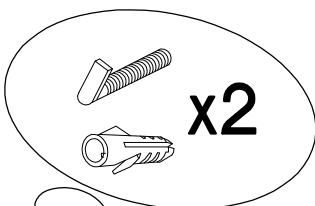
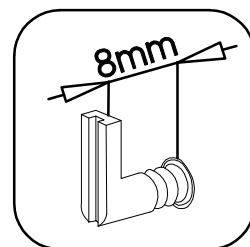
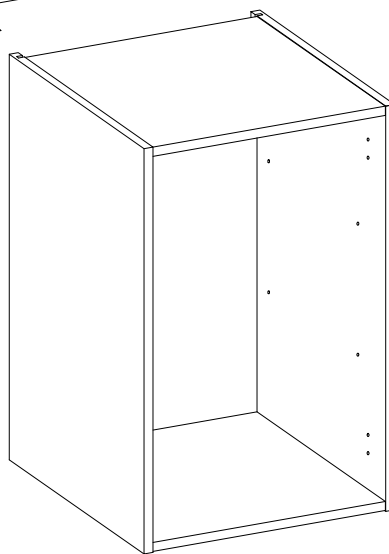
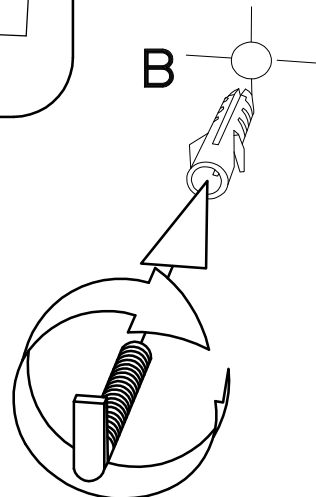




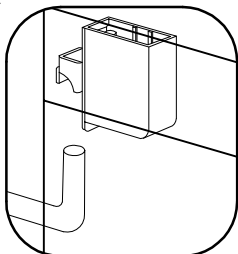
A



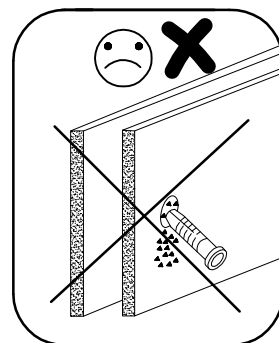
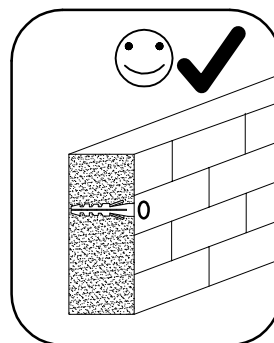
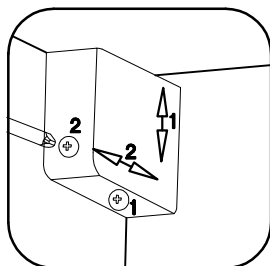
B



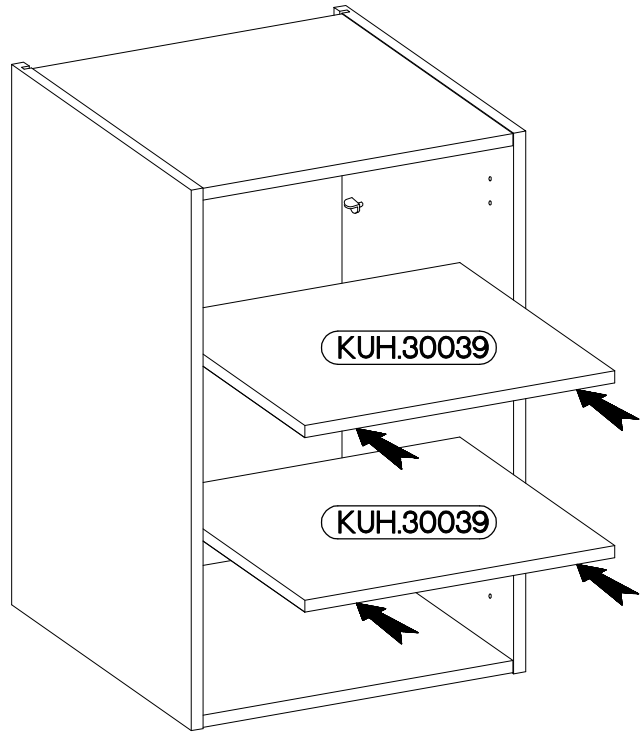
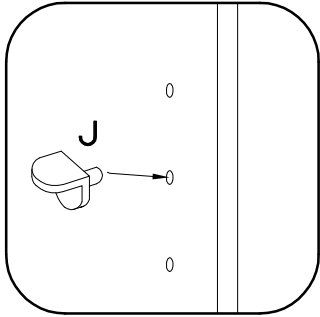
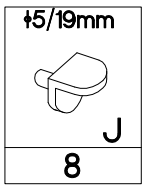
C



D



7



8

FRONT

