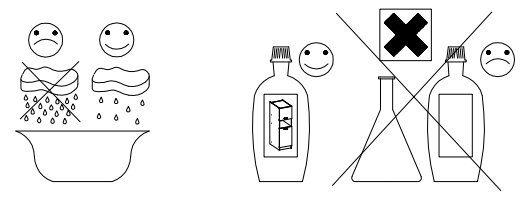
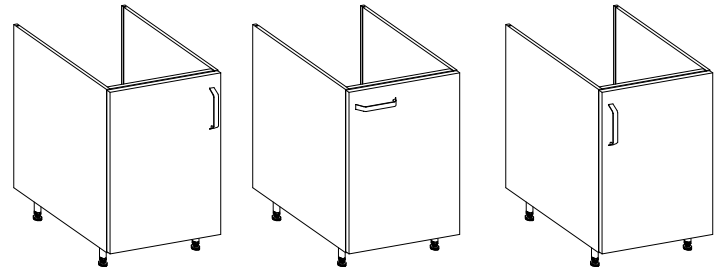
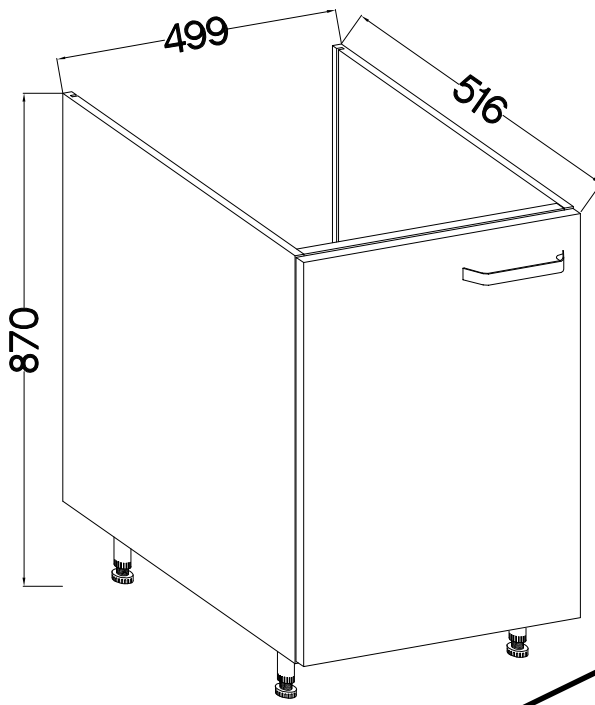


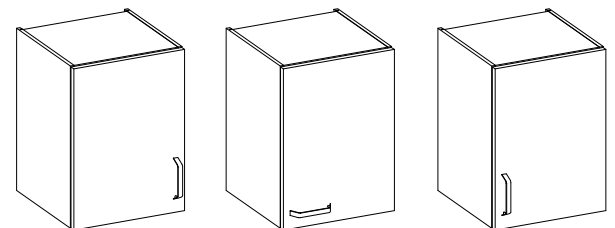
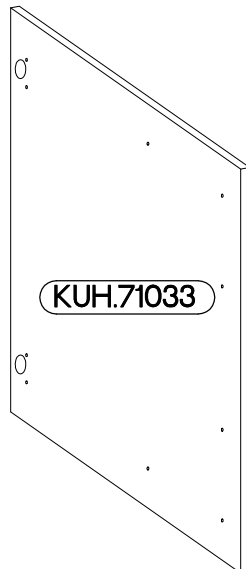
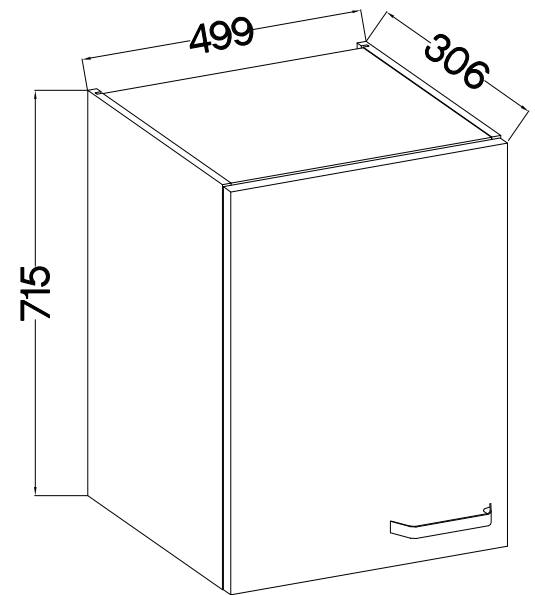
713x496
FRONT



50 ZL 1F BB



50 G-72 1F



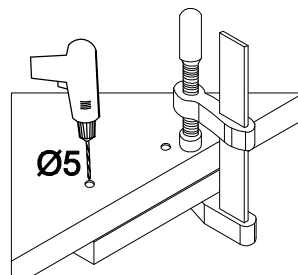
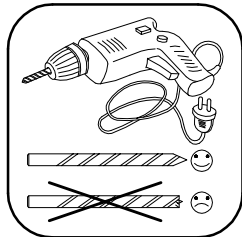
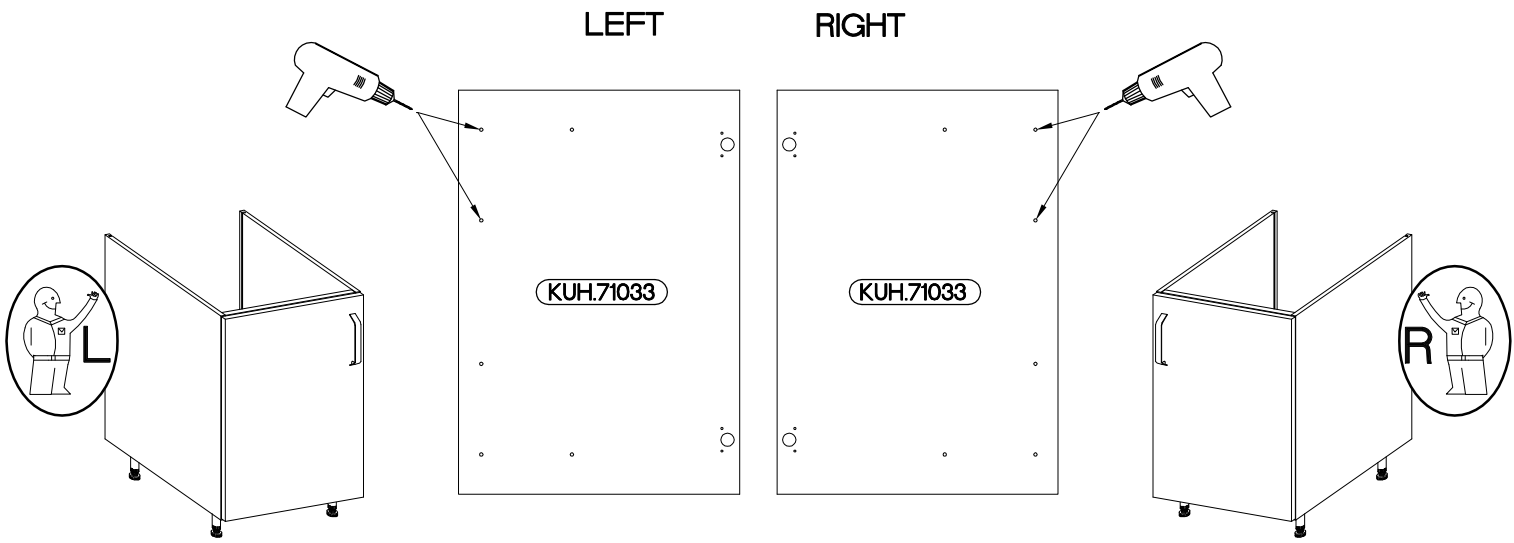
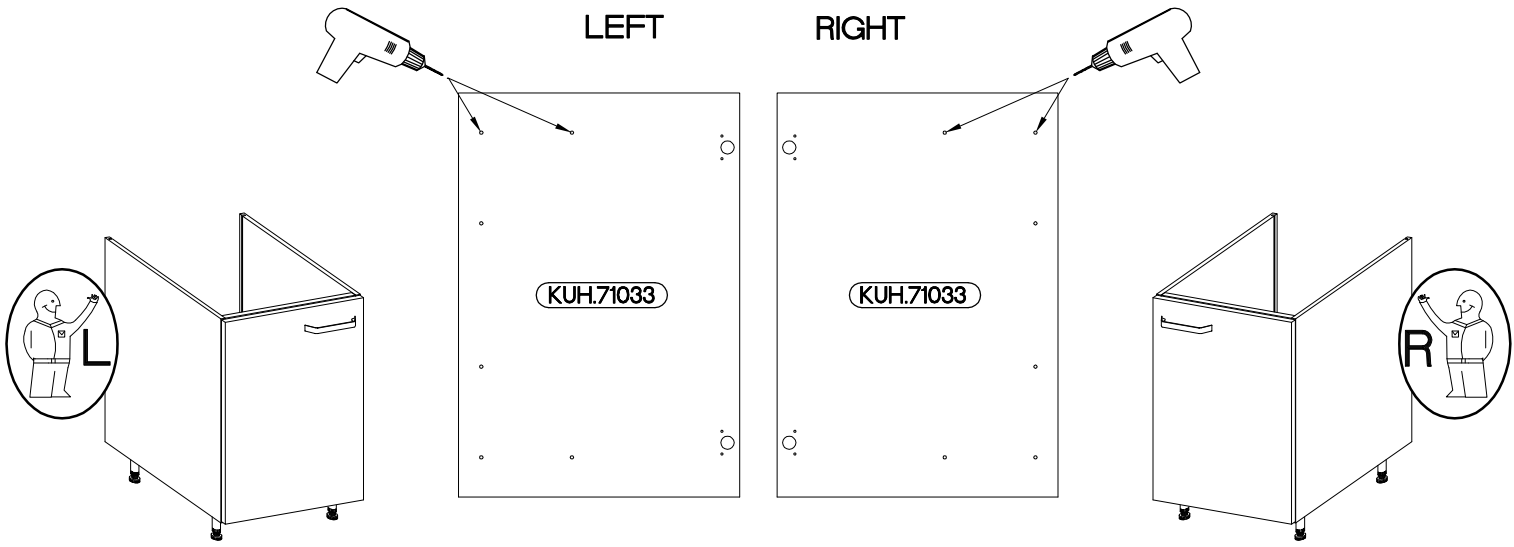
L=160mm	M4x22mm
S	U
1	2

Ersatzteil Nummer	Dimension
KUH.71033	713x496x16

ISM-KUH-01861

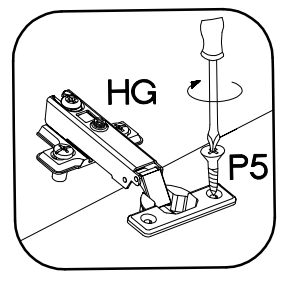
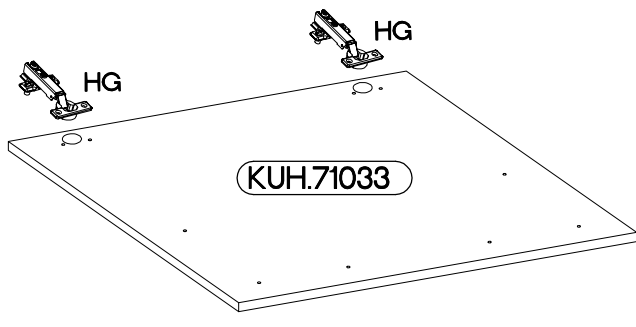
1

50 ZL 1F BB



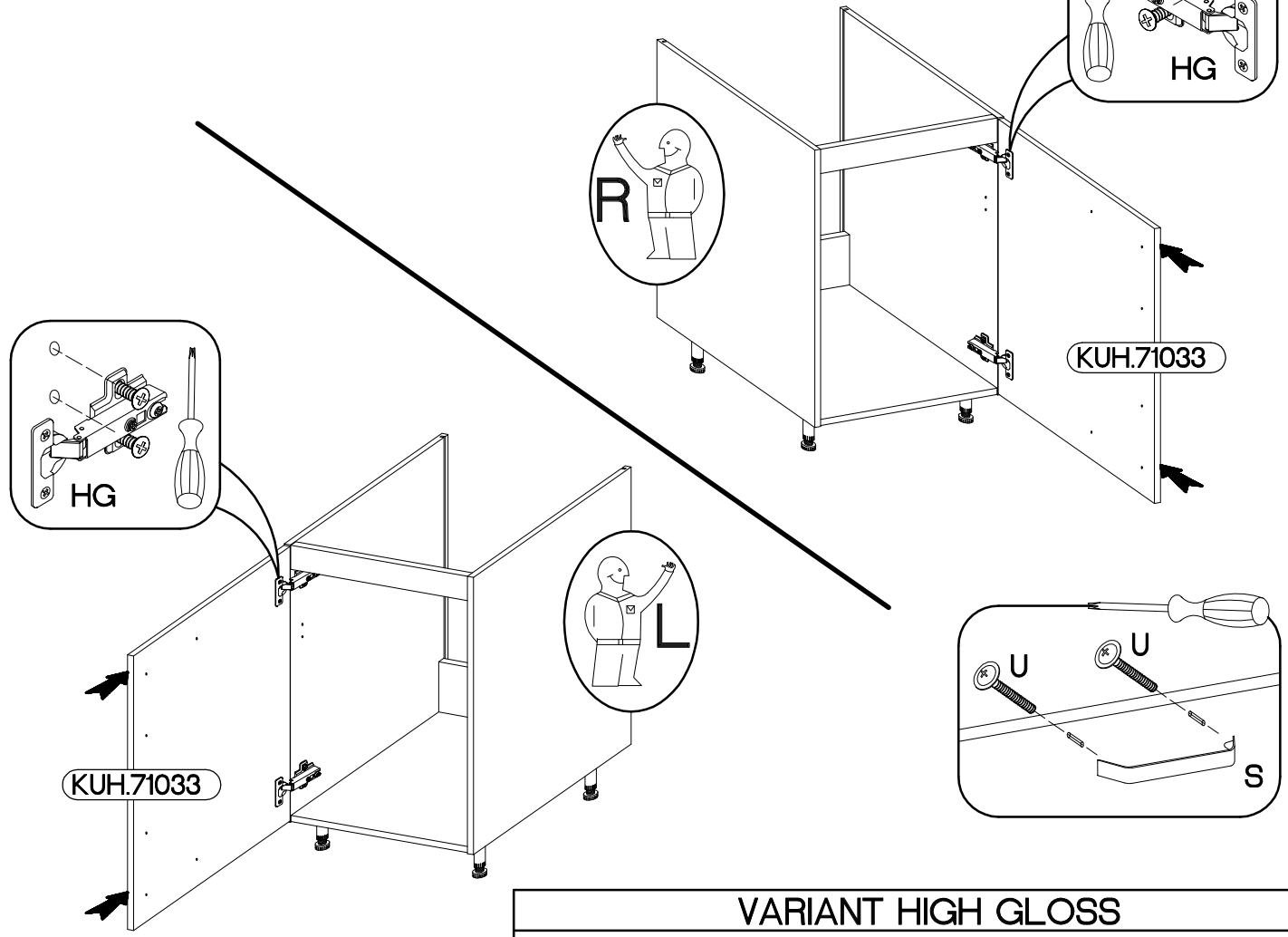
2

±35/0mm [CD] HG 2	±3.5x13mm P5 4
----------------------------	----------------------

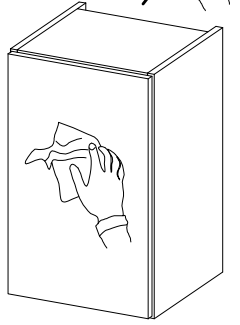
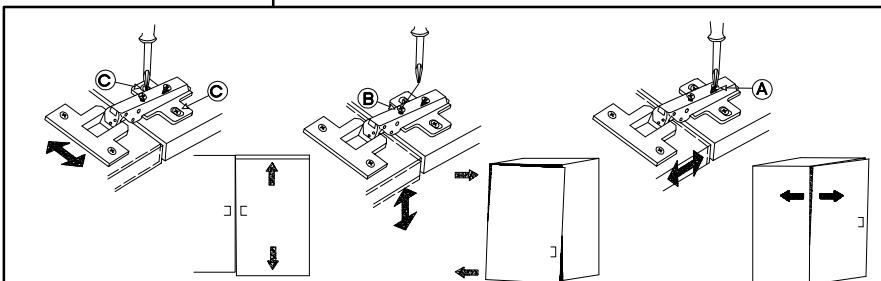
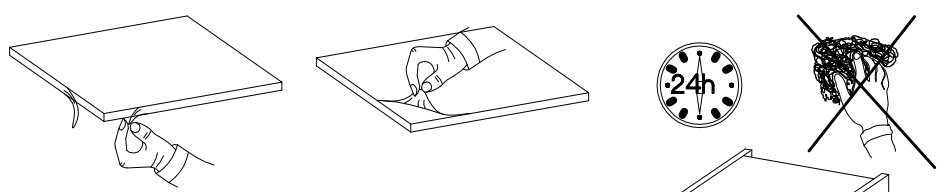


3

L=160mm S 1	M4x22mm U 2
-------------------	-------------------

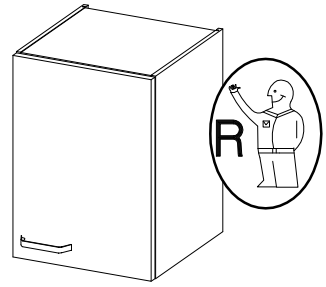
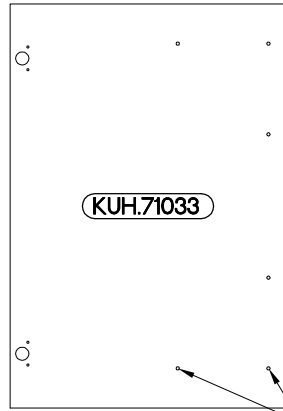
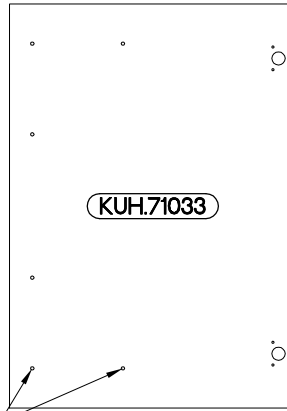
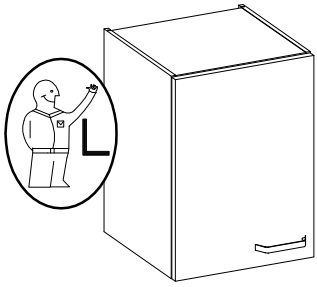


VARIANT HIGH GLOSS



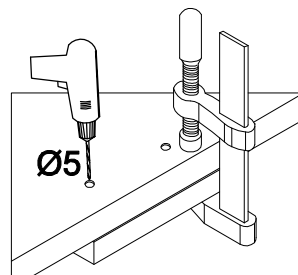
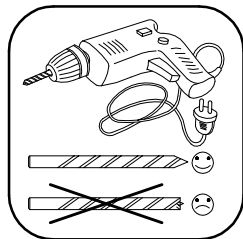
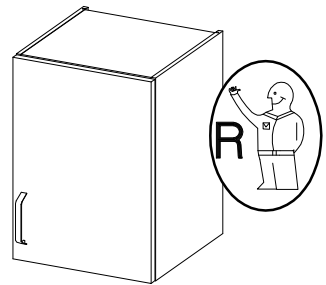
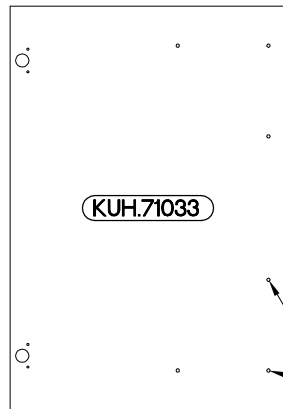
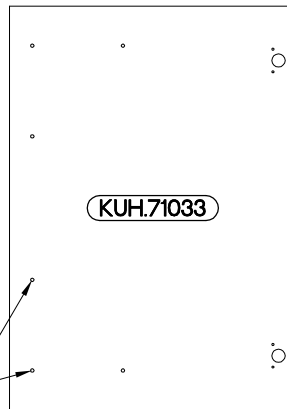
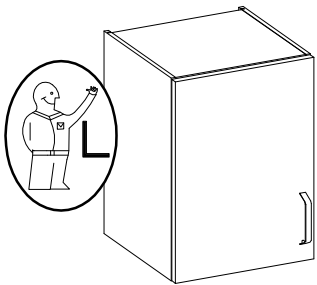
LEFT

RIGHT



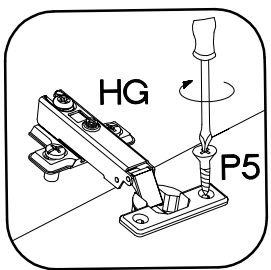
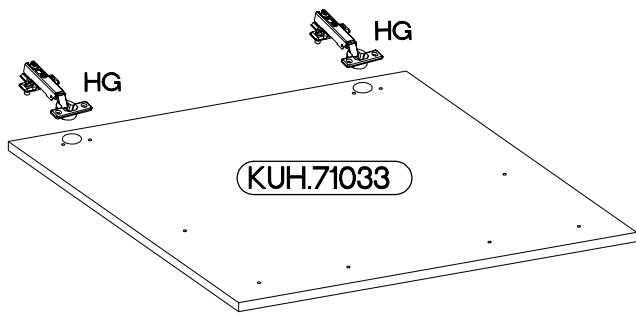
LEFT

RIGHT



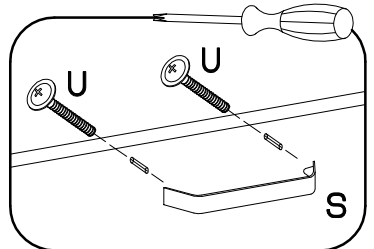
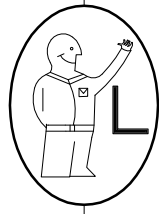
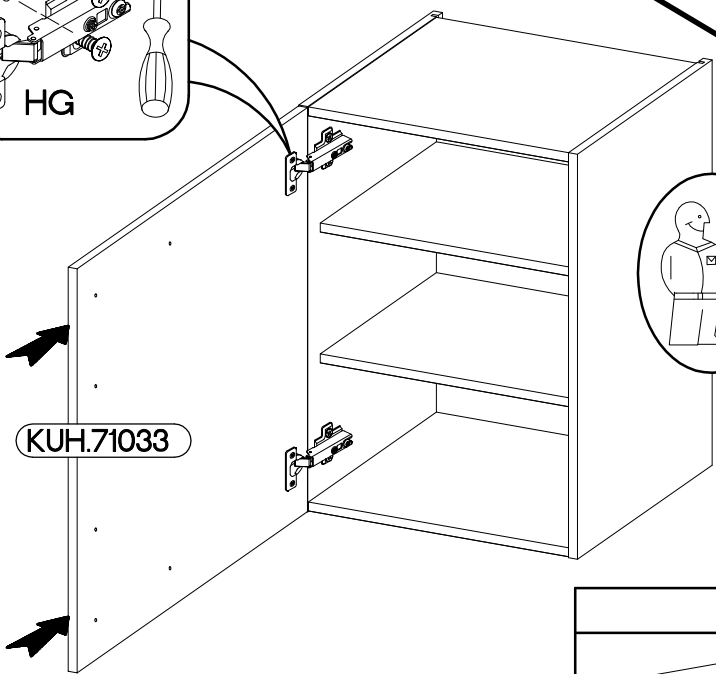
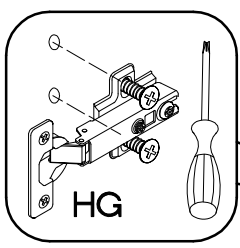
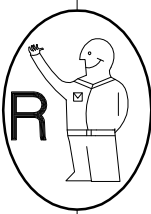
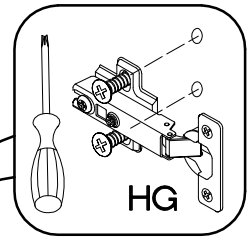
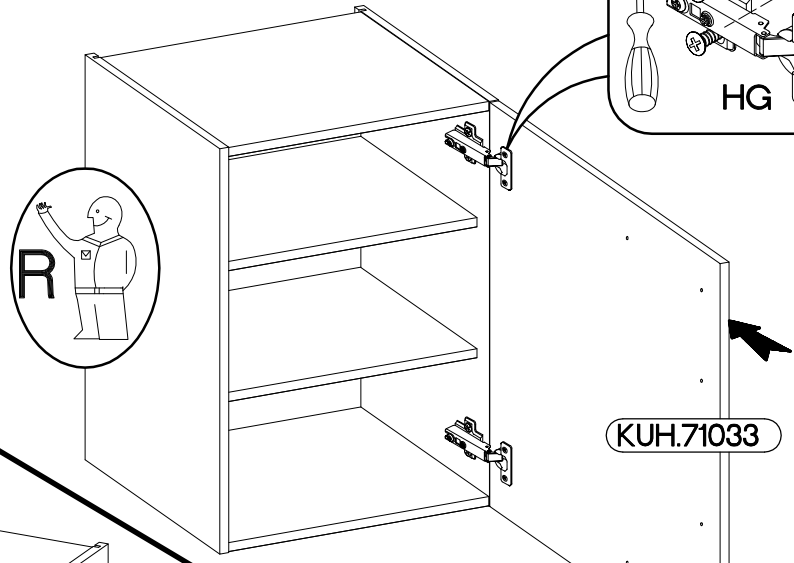
5

±35/0mm [CD] HG 2	±3.5x13mm P5 4
----------------------------	----------------------



6

L=160mm S 1	M4x22mm U 2
-------------------	-------------------



VARIANT HIGH GLOSS

