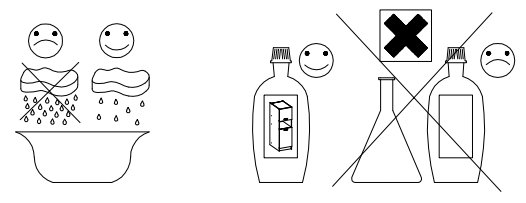
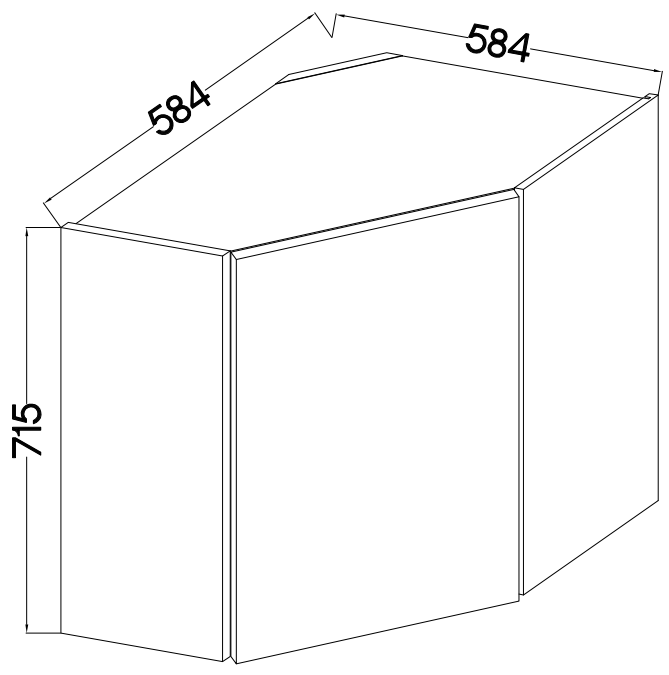
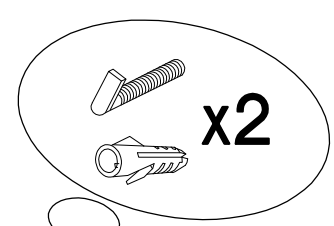
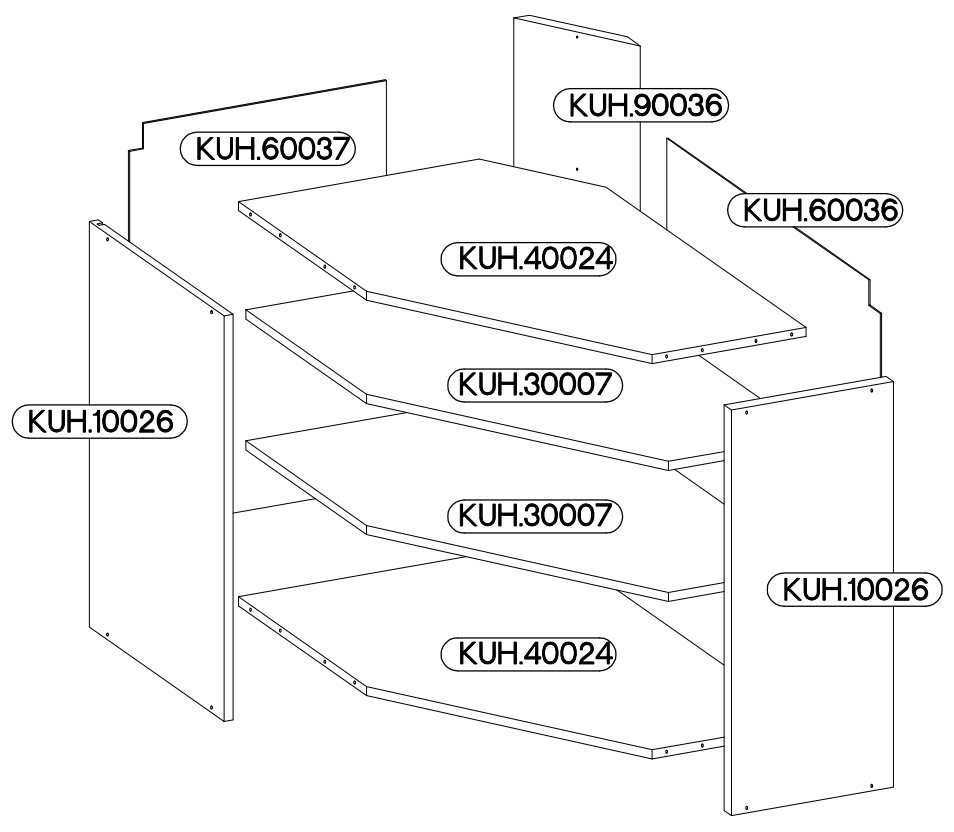


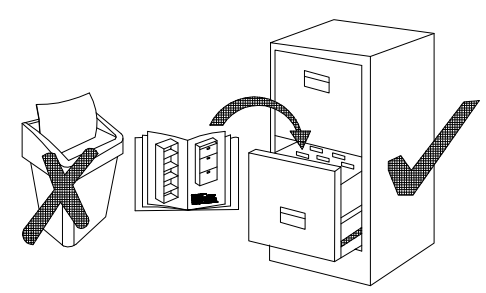
58x58 GN-72 1F



max. 5kg
 KUH.30007
 KUH.40024

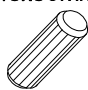

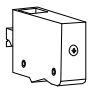


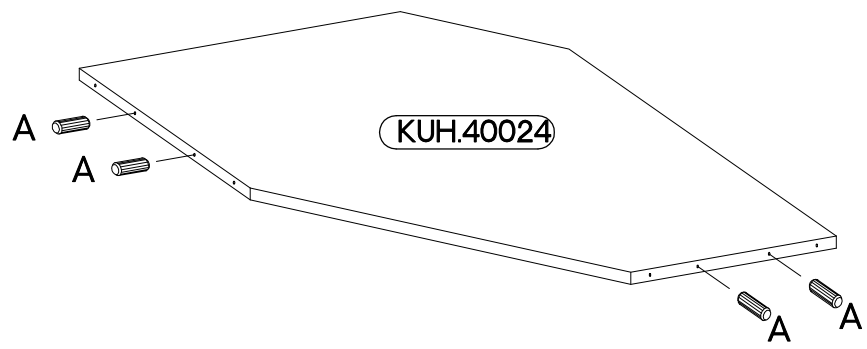
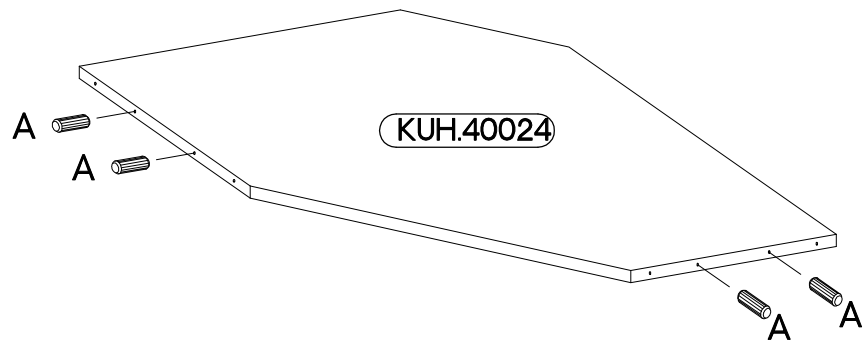
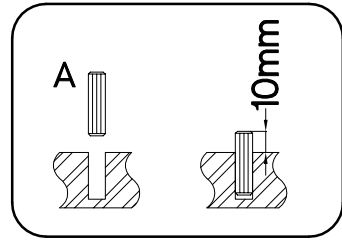
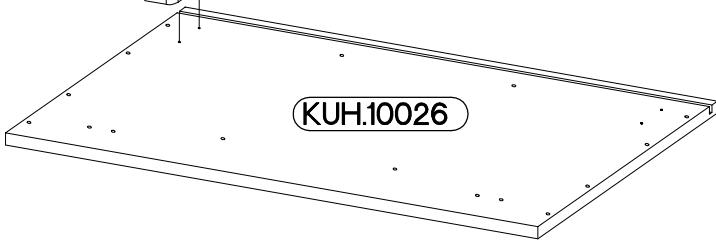
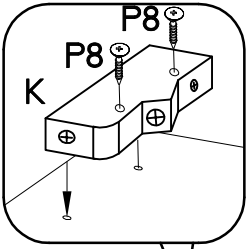
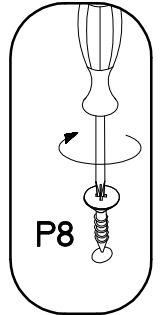
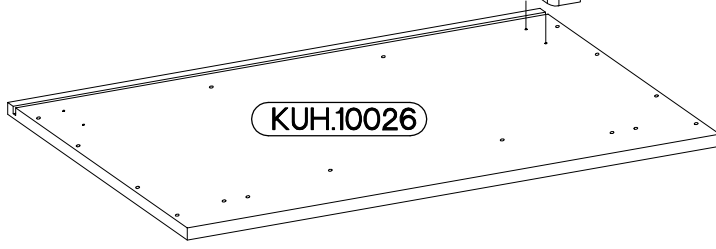
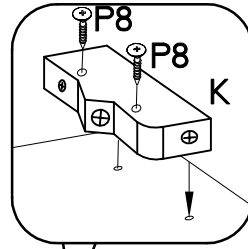
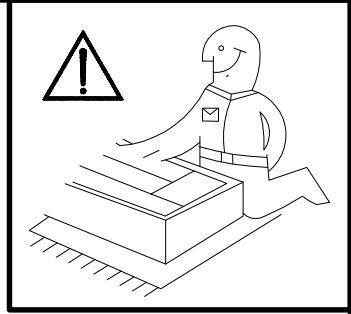
+8x30mm A 8	6,4 x 50mm B 10	E1 8	G7 2			
H 2	+5/19mm J 10	K 2	O 1	+3.5x13mm P5 4	+3.0x20mm P7 15-20	+4.0x30mm P8 4



ISM-KUH-01140

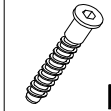
1

 +8x30mm A	 +4.0x30mm P8	 K
8	4	2



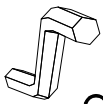
2

6,4 x 50mm



B

4



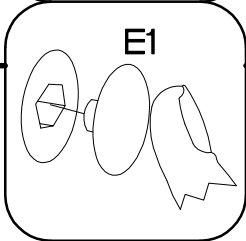
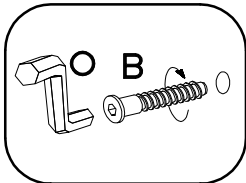
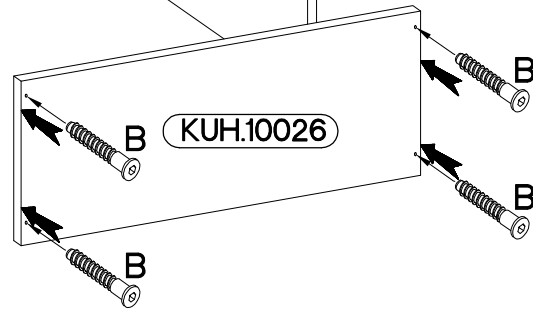
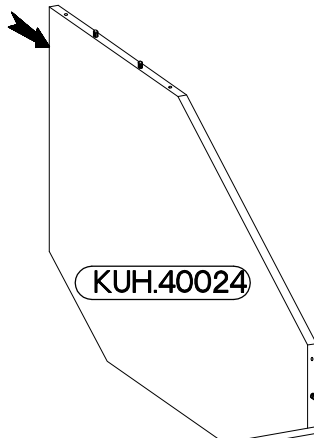
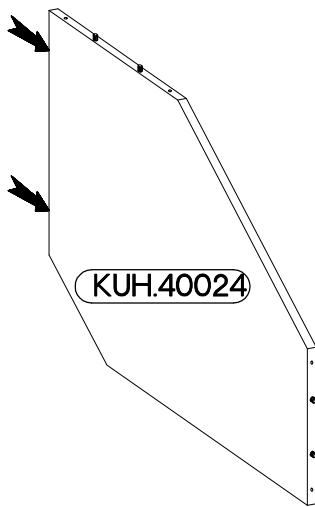
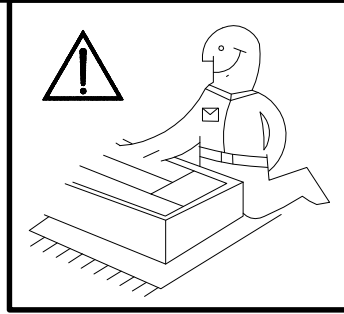
O

1

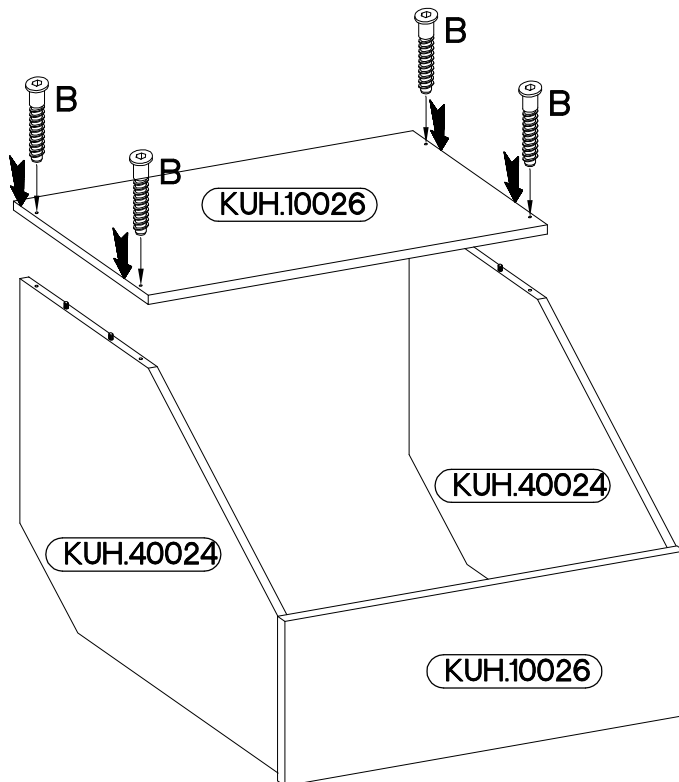


E1

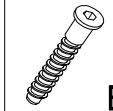
4



3

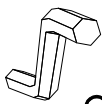


6,4 x 50mm



B

4



O


1

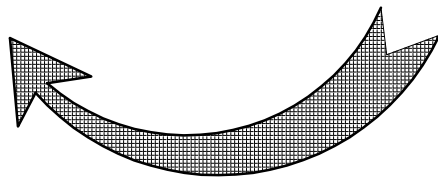
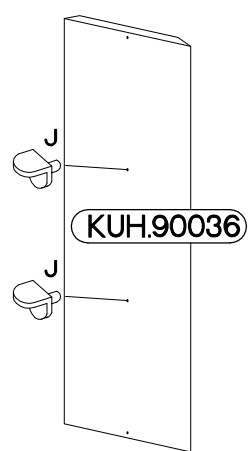
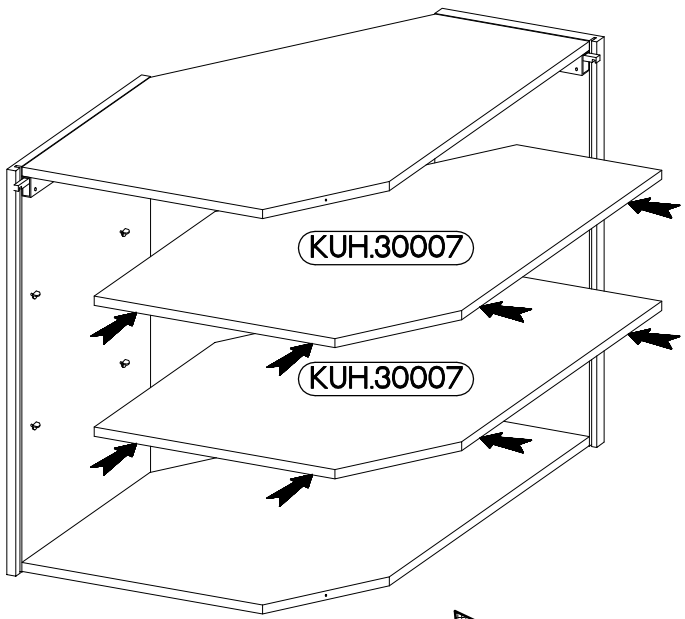
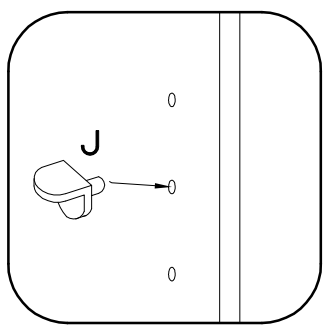


E1


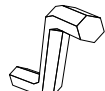
4

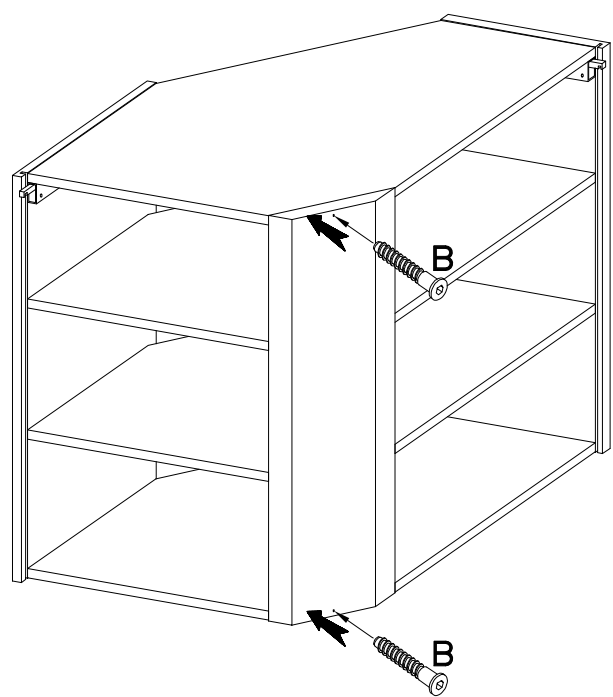
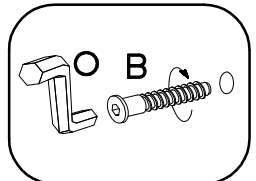
4

±5/19mm

J
10



5

6,4 x 50mm	
	
B	O
2	1



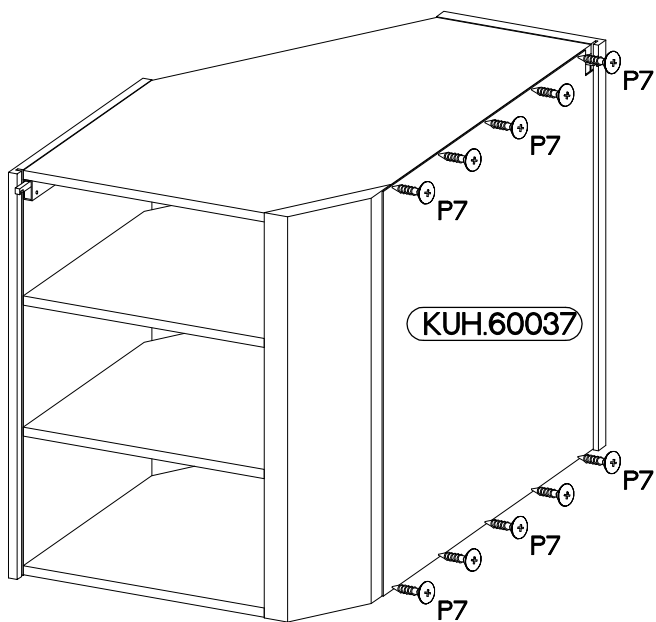
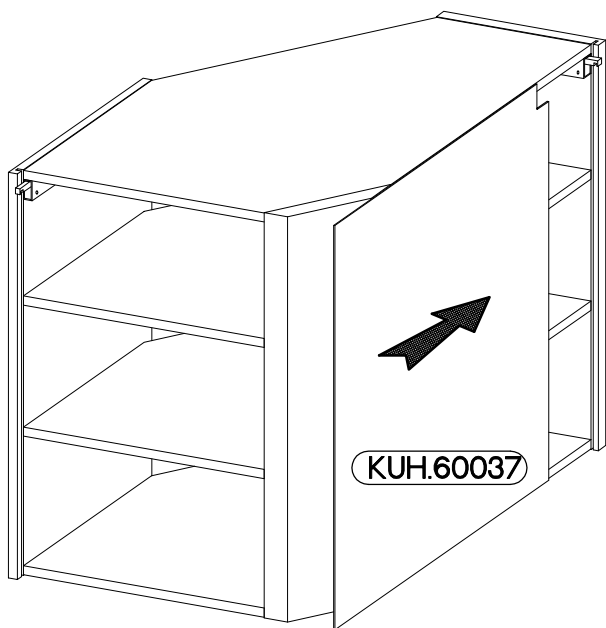
6

+3.0x20mm



P7

10-15



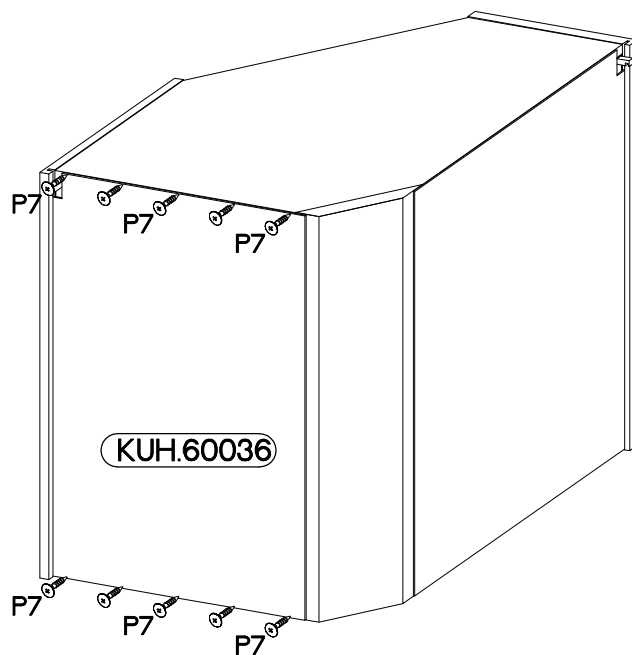
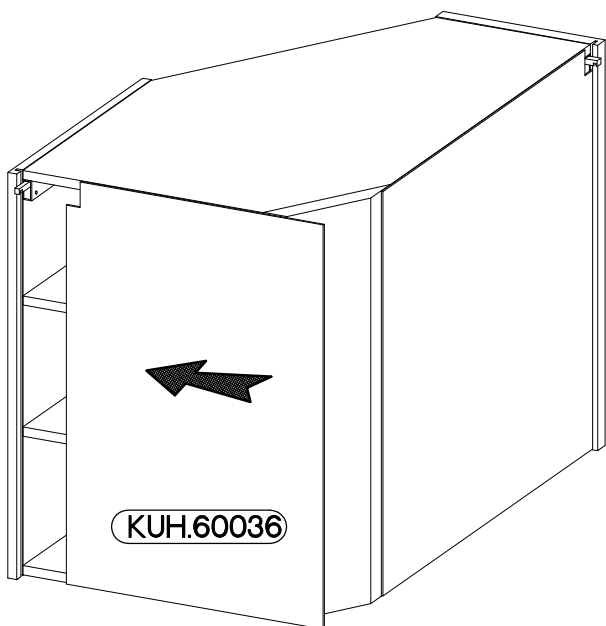
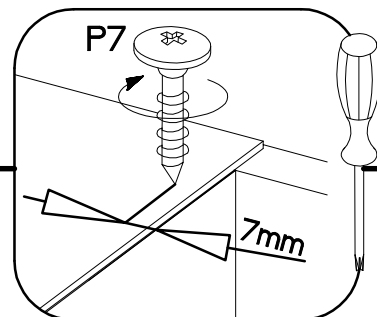
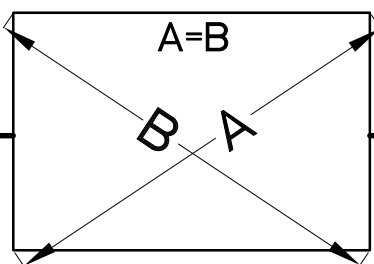
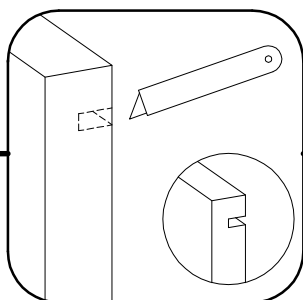
7

+3.0x20mm

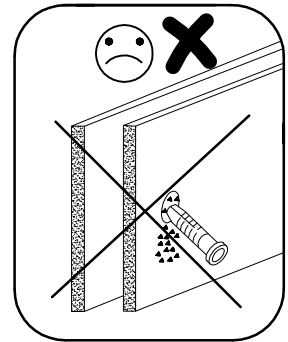
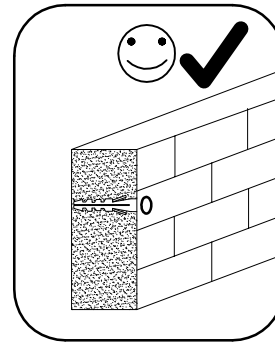
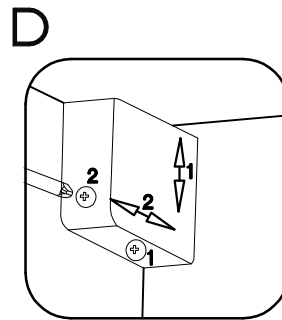
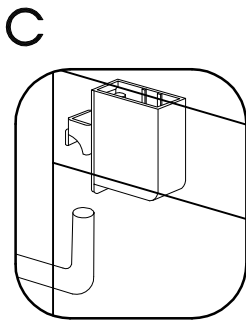
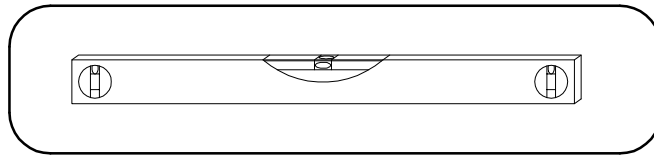
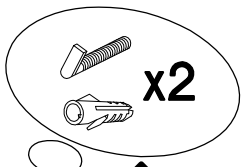
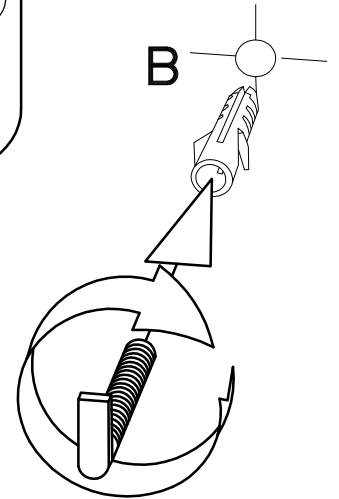
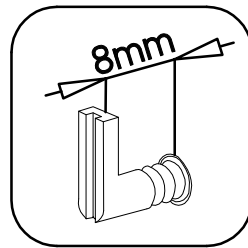
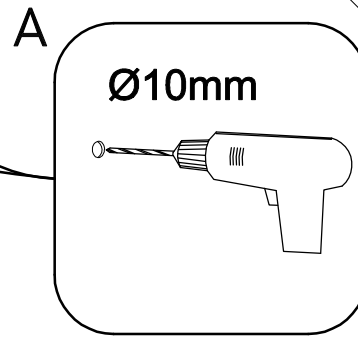
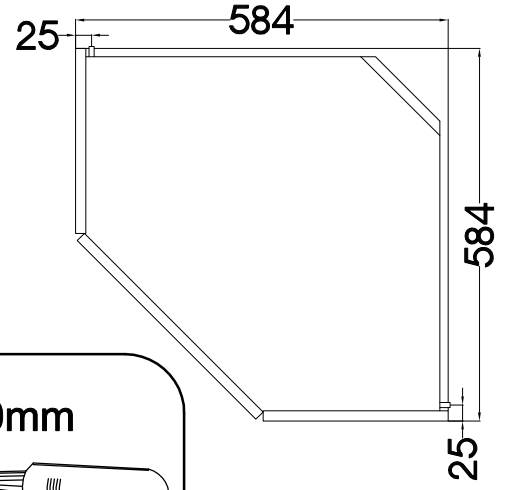
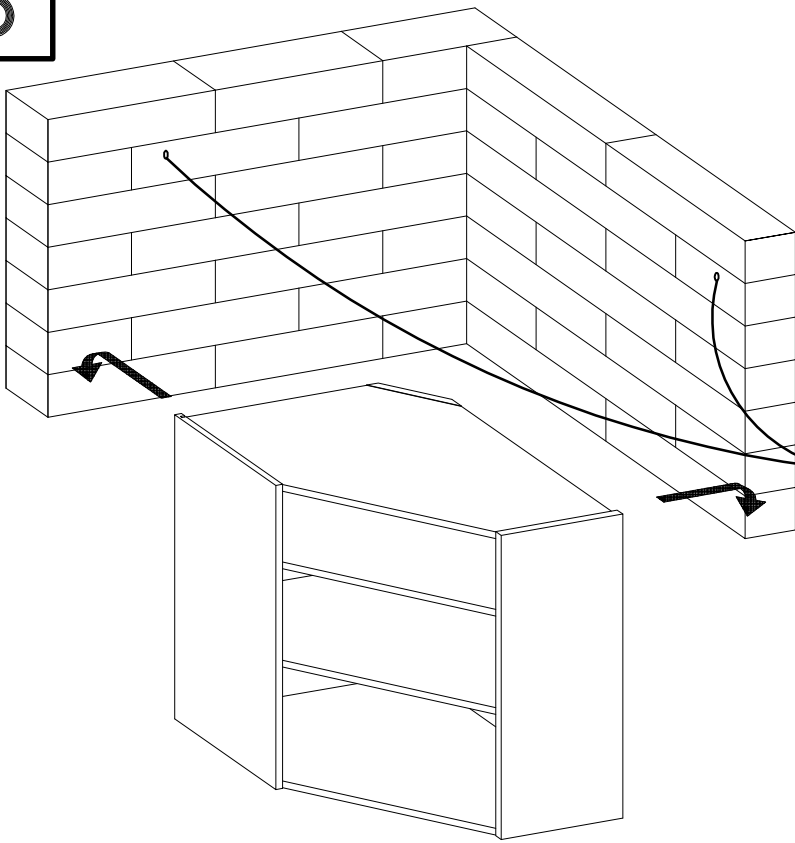


P7

10-15



8



9

FRONT

