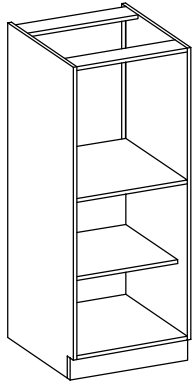
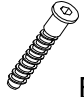








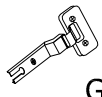


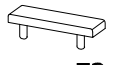


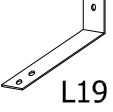
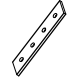

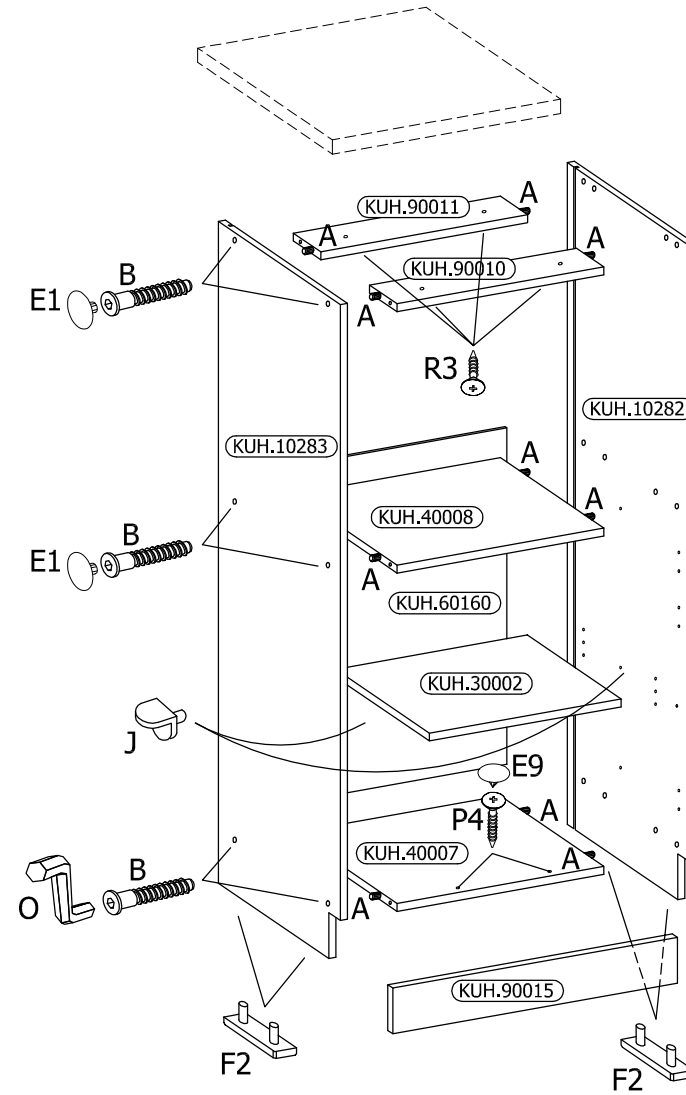
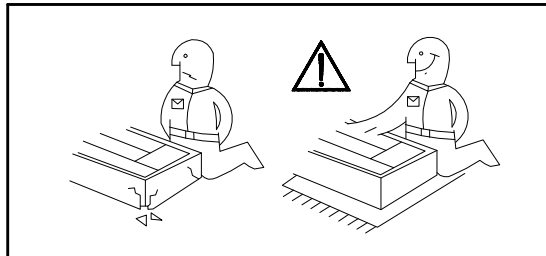
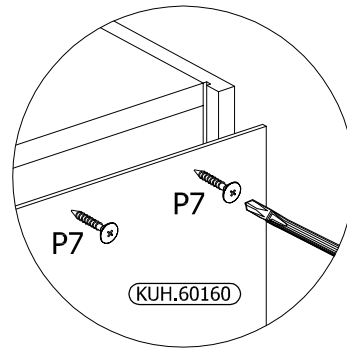
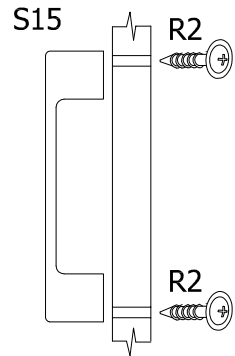
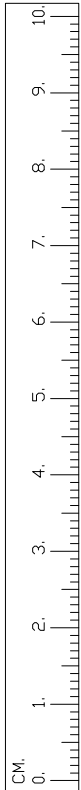
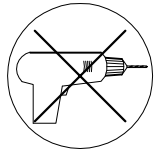
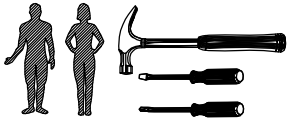


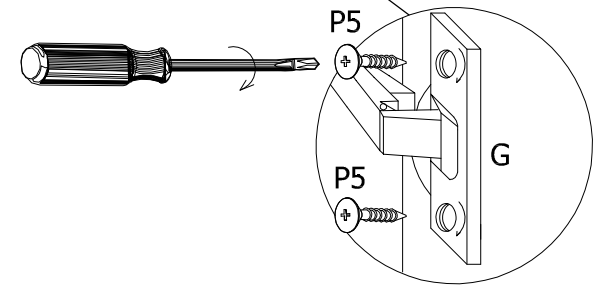
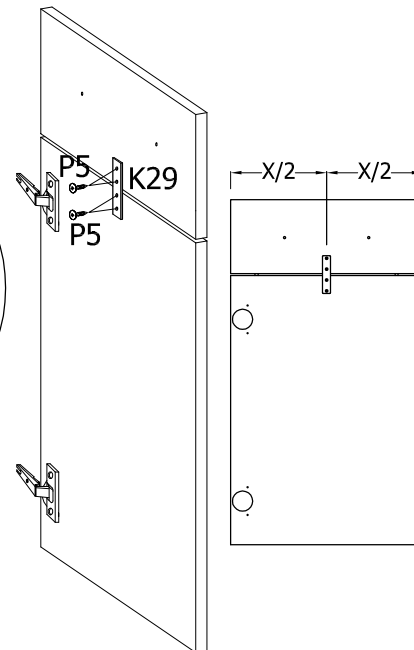
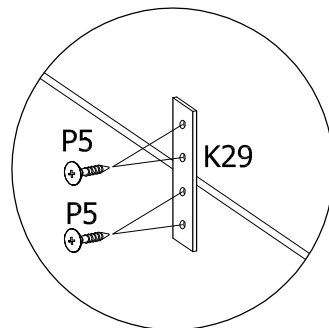
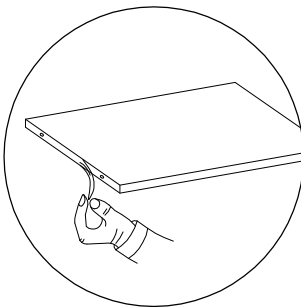
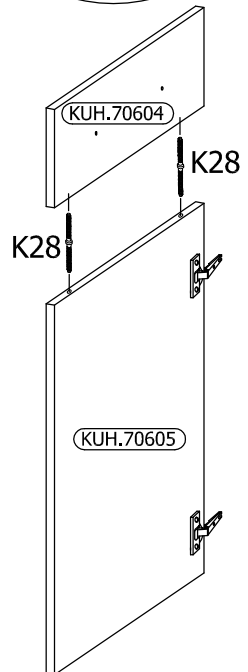
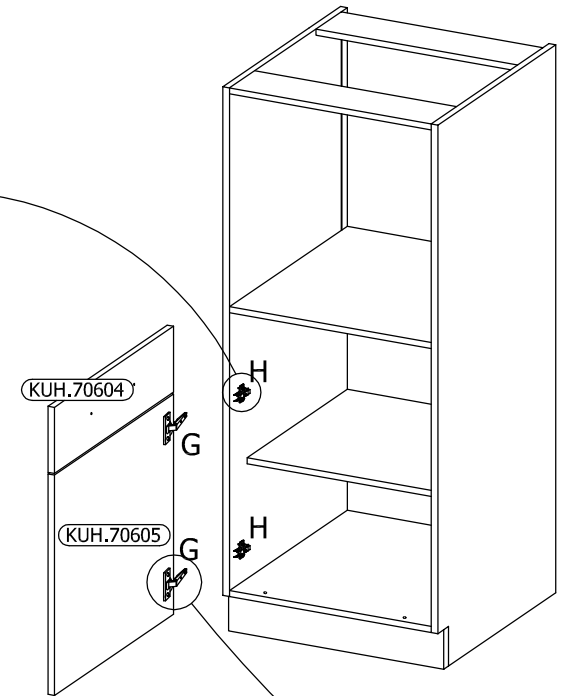
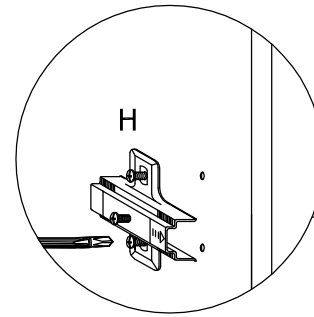
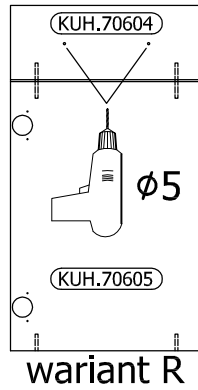
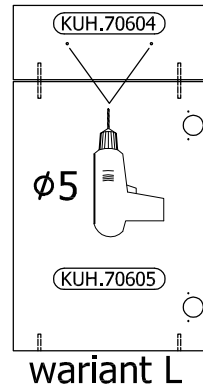
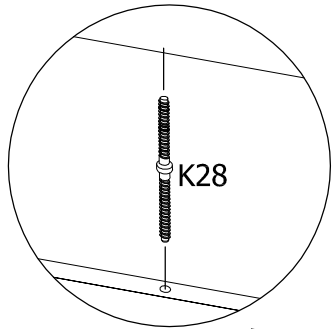
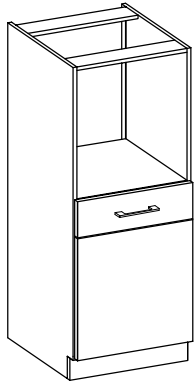
60 DP-1450



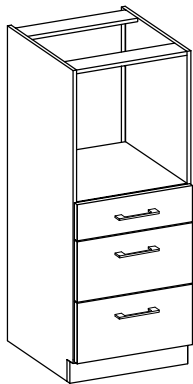
 B 12	 E1 12	 A 12	 O 1	 S15 1	4.0x30mm  R2 2	3.0x20mm  P7 10	4.0x35mm  R3 4
 J 4	 G 2	 H 2	3.5x13mm  P5 10	 F2 4			
4.0x45mm  P4 2	 E9 2	 L19 1	 K29 1	 K28 2			



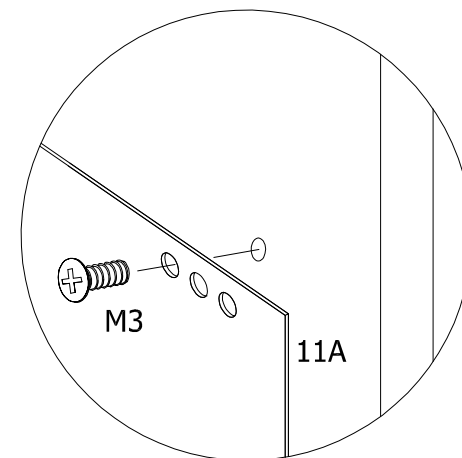
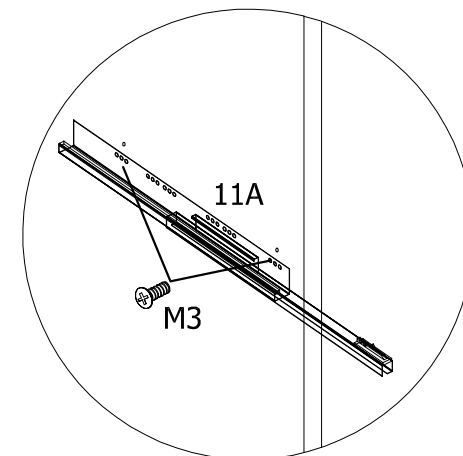
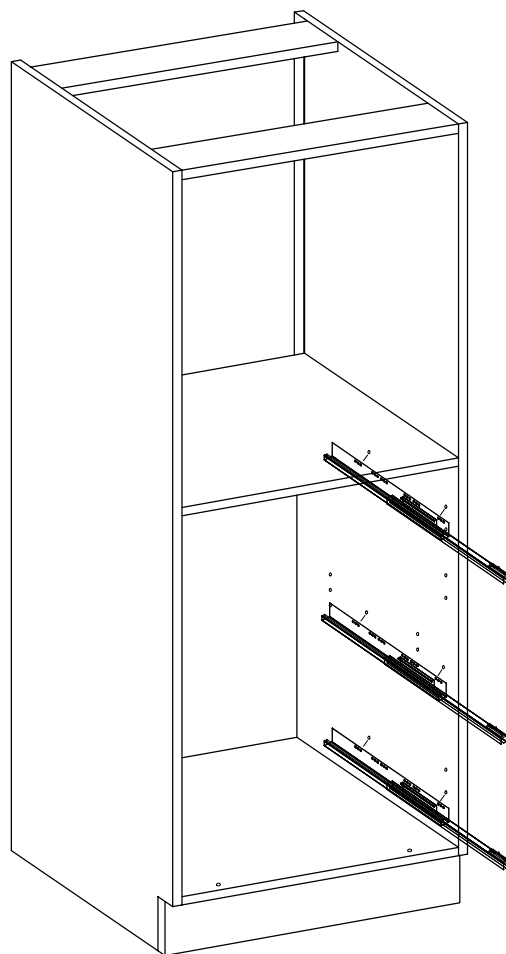
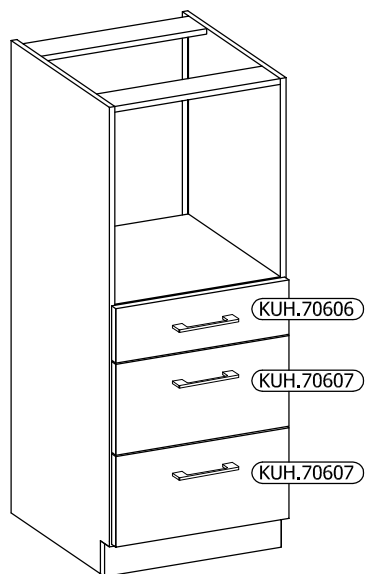
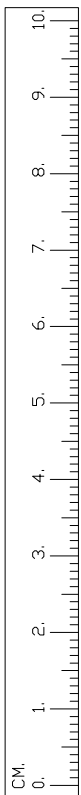
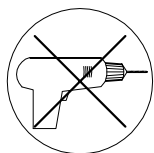
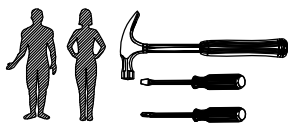
60 DP-1450 1F



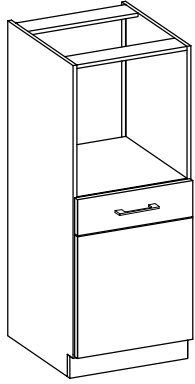
60 DPS-1450 3S



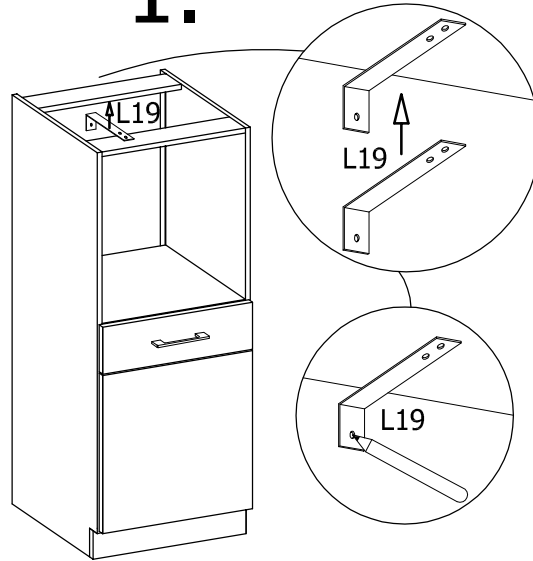
S15	R2	P5	M3	P1	11A 11B	11C	11D	11E	11F	11G	11H	
2	4	24	12	12	3	2	3	1	6	4	6	4



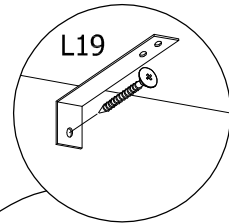
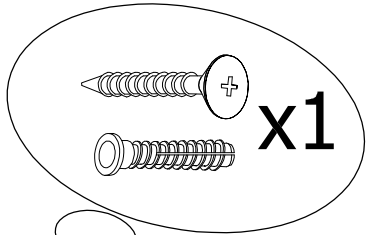
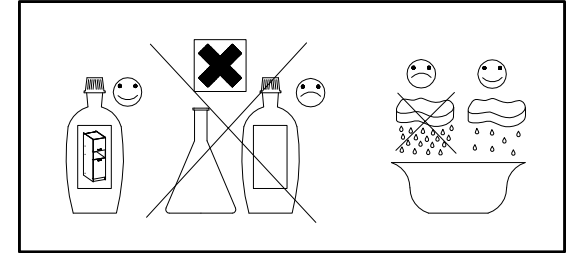
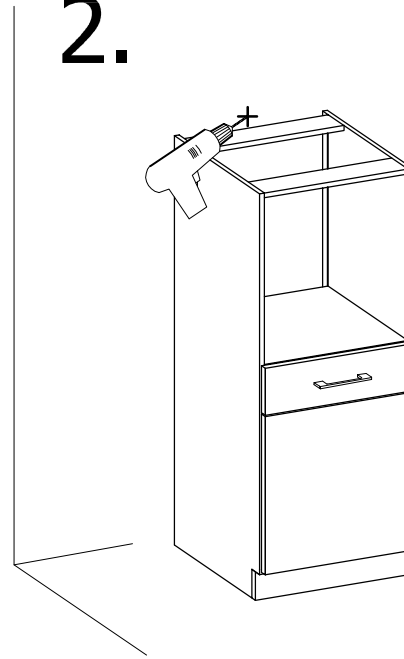
60 DP-1450 1F



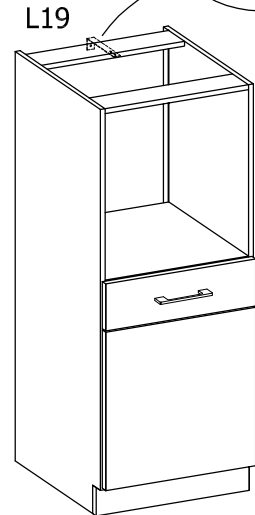
1.



2.



4.



5.

