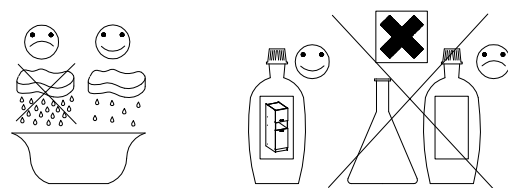
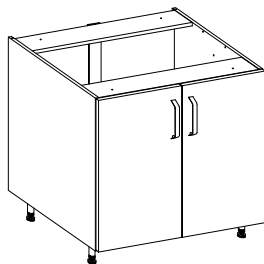
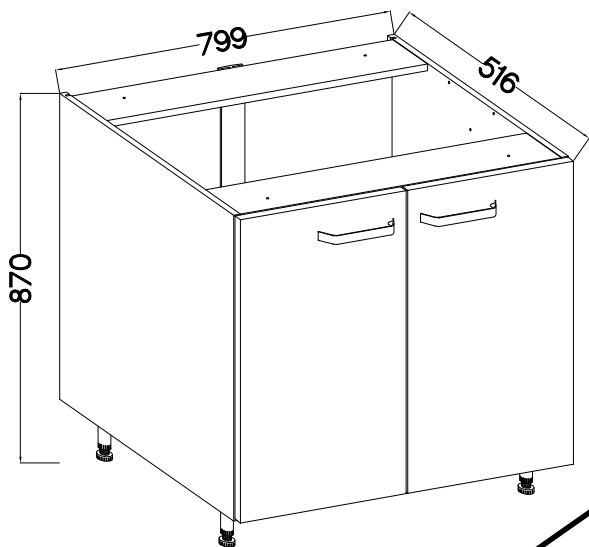


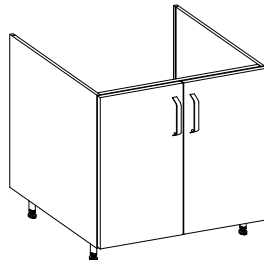
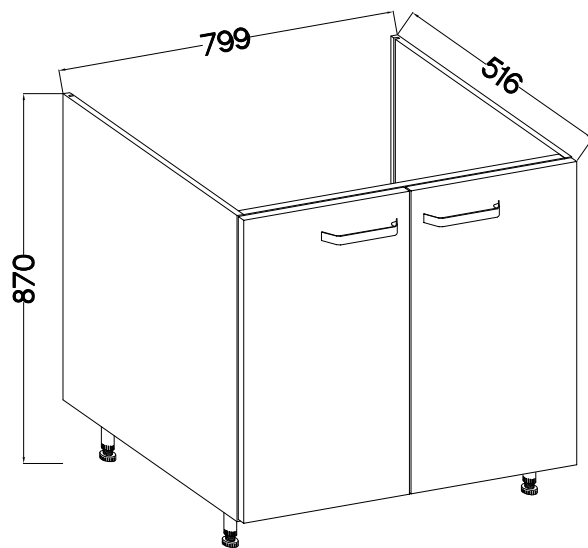
713x396 - 2szt.
FRONT



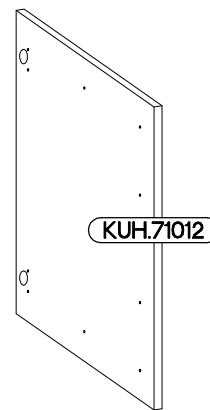
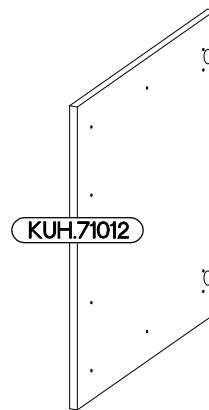
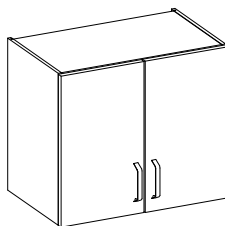
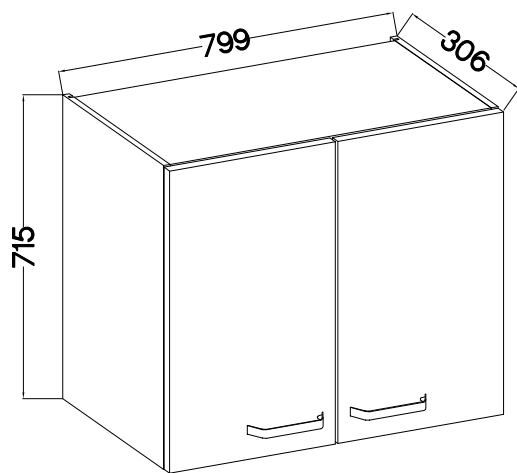
80 D 2F BB



80 ZL 2F BB



80 G-72 2F



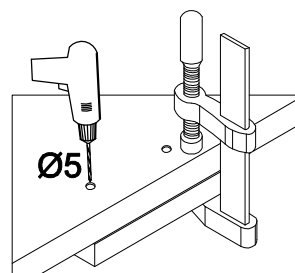
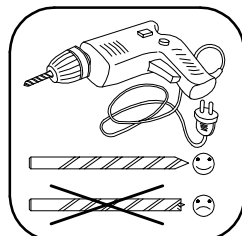
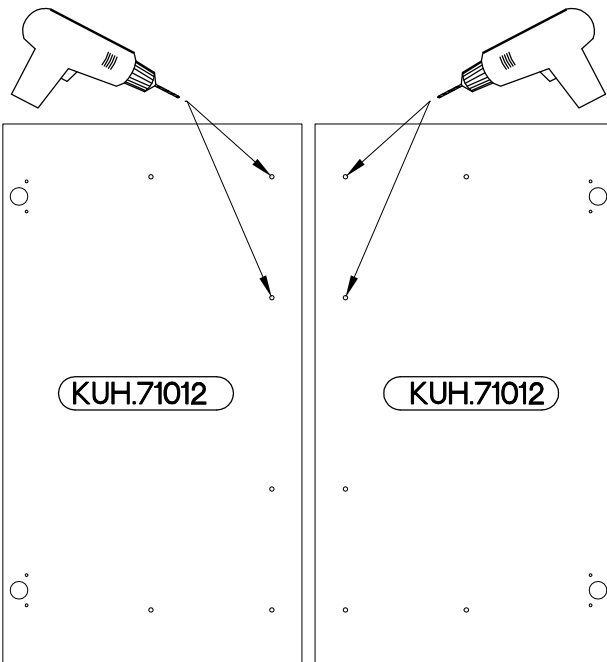
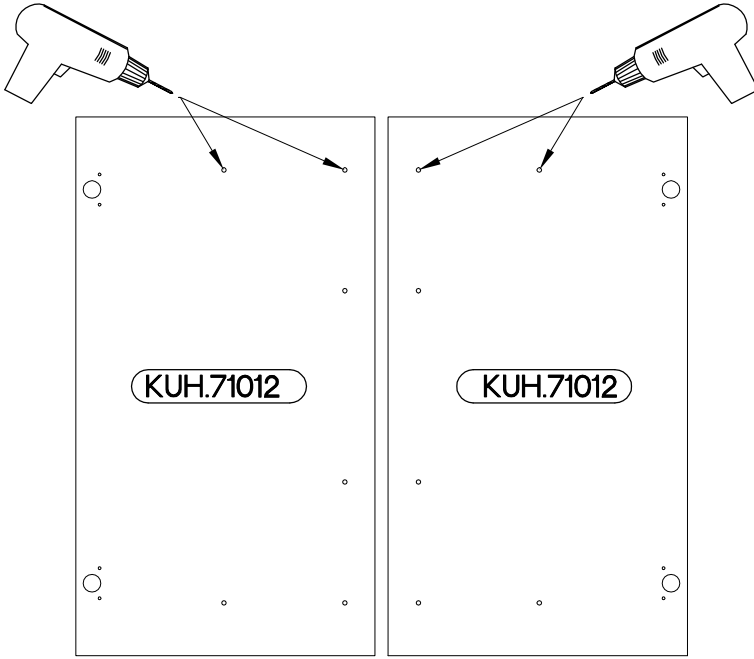
L=160mm	M4x22mm
S	U
2	4

Ersatzteil Nummer	Dimension
KUH.71012 x2	713x396x16

ISM-KUH-01848

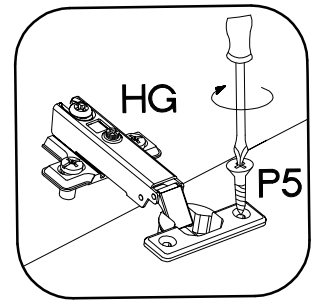
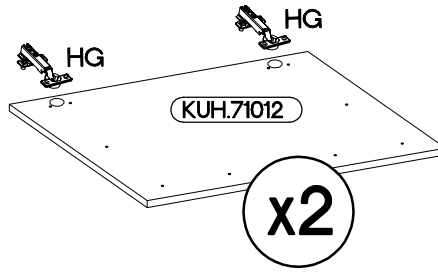
1

80 D 2F BB



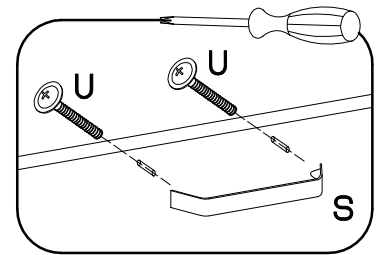
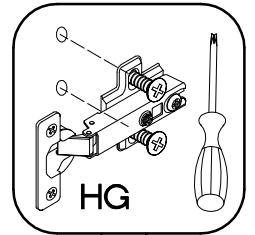
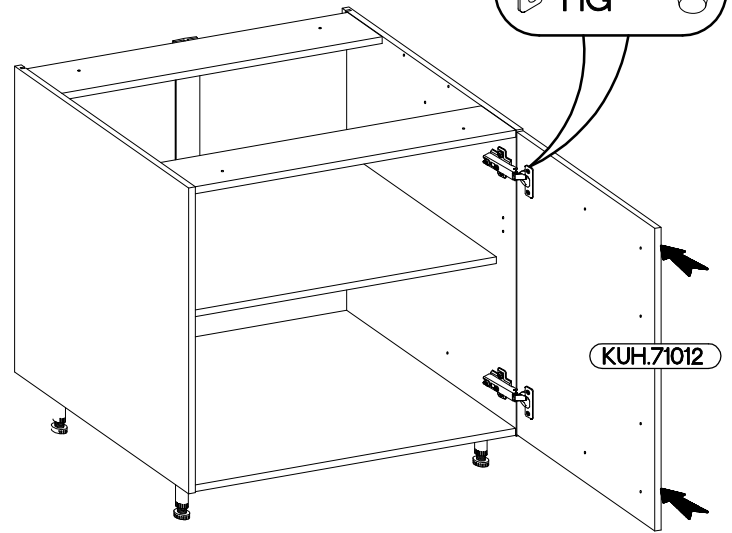
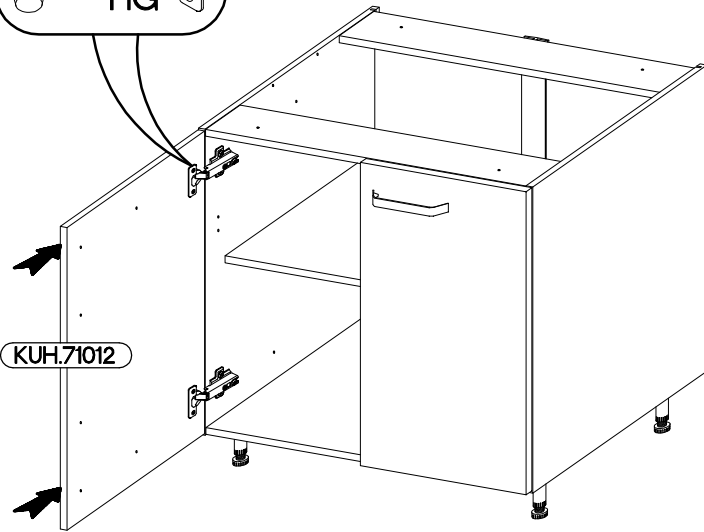
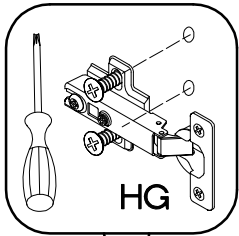
2

±35/0mm [CD] HG 4	±3.5x13mm P5 8
----------------------------	----------------------

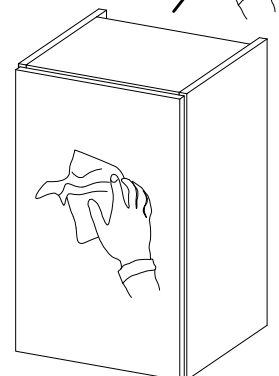
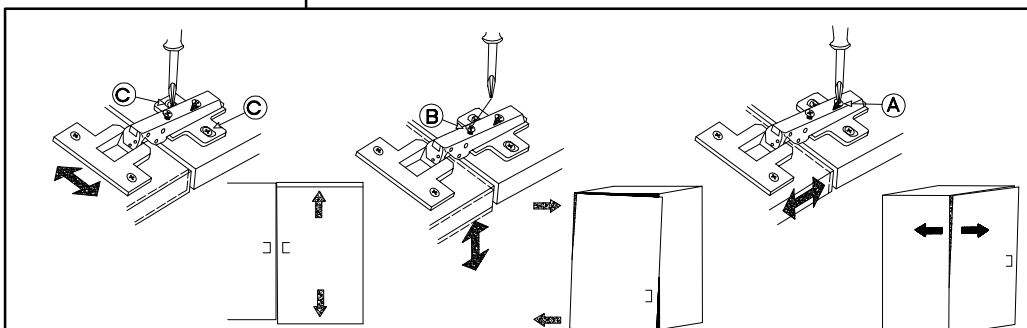
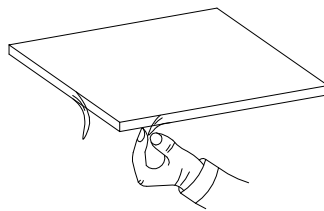


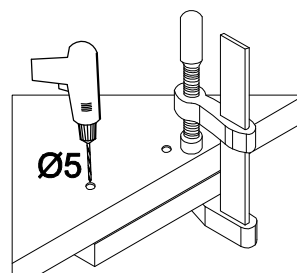
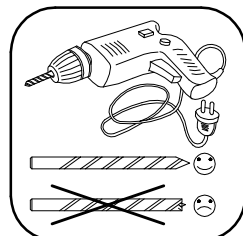
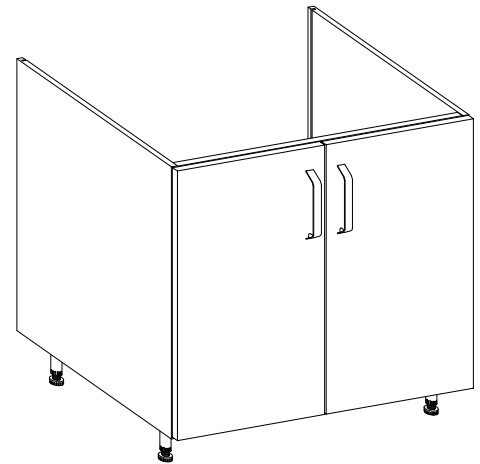
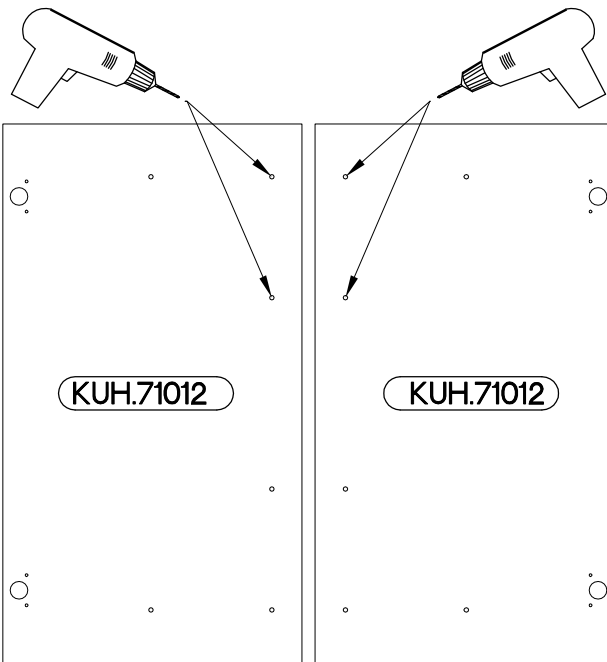
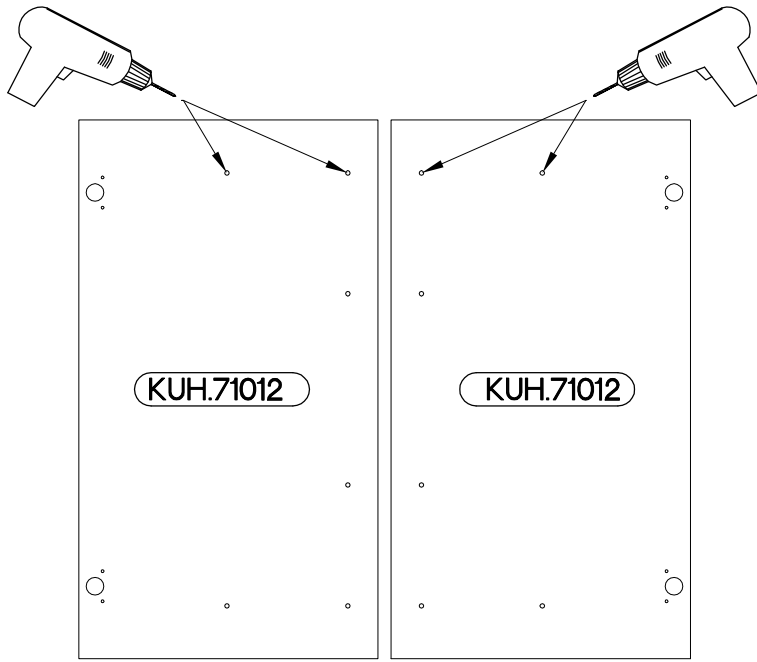
3

L=160mm S 2	M4x22mm U 4
-------------------	-------------------



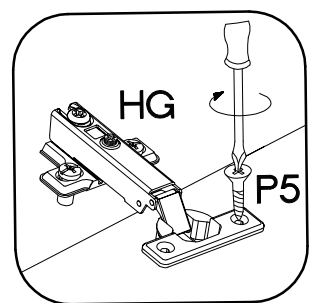
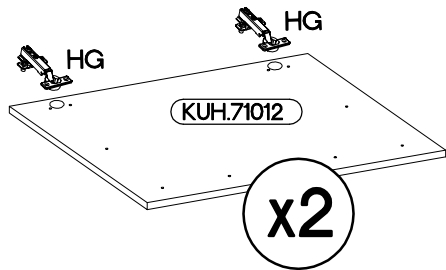
VARIANT HIGH GLOSS





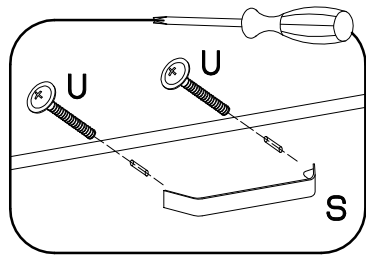
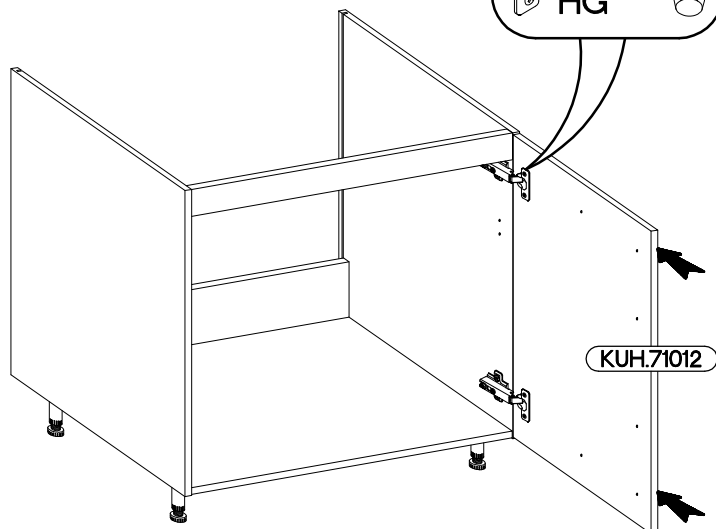
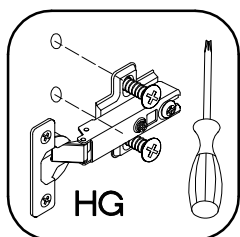
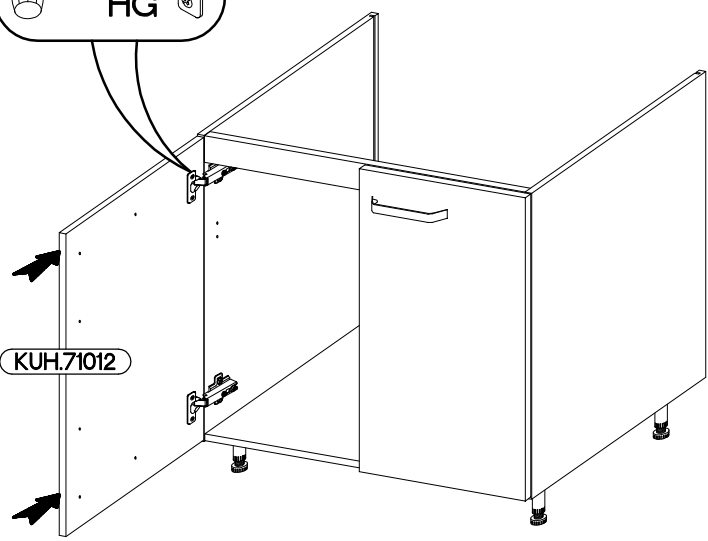
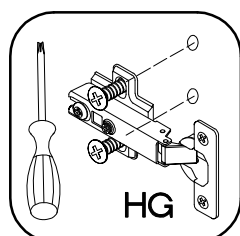
5

†35/0mm [CD] HG 4	†3.5x13mm P5 8
----------------------------	----------------------

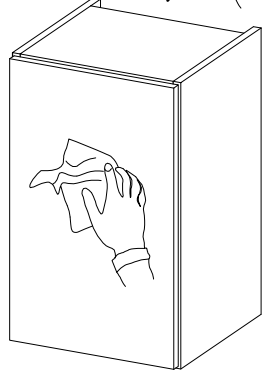
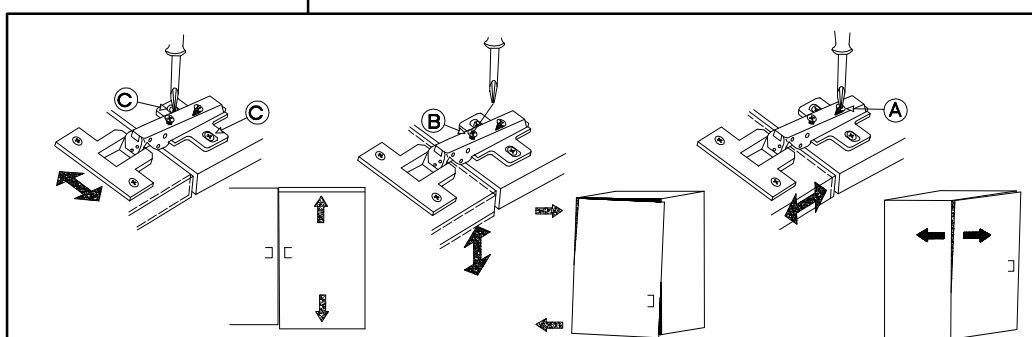
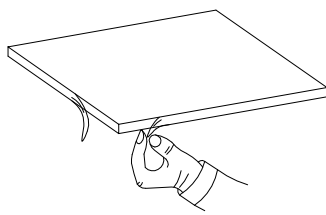


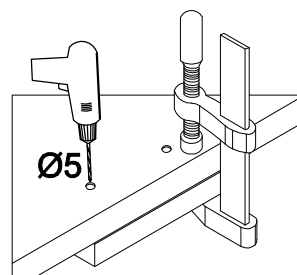
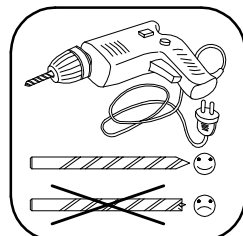
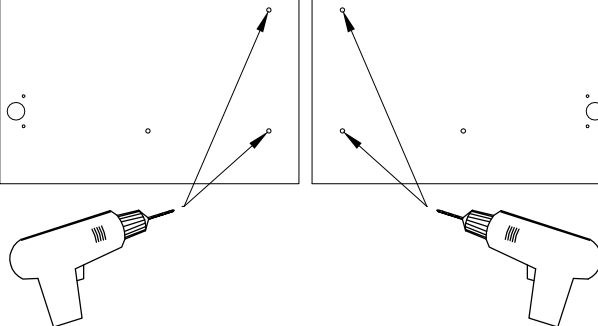
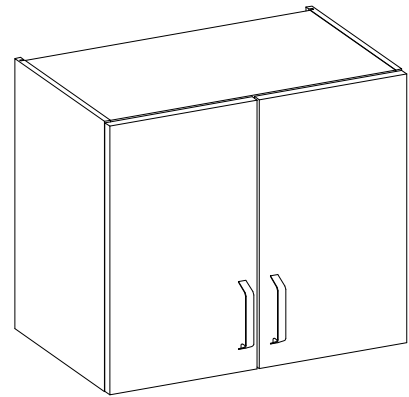
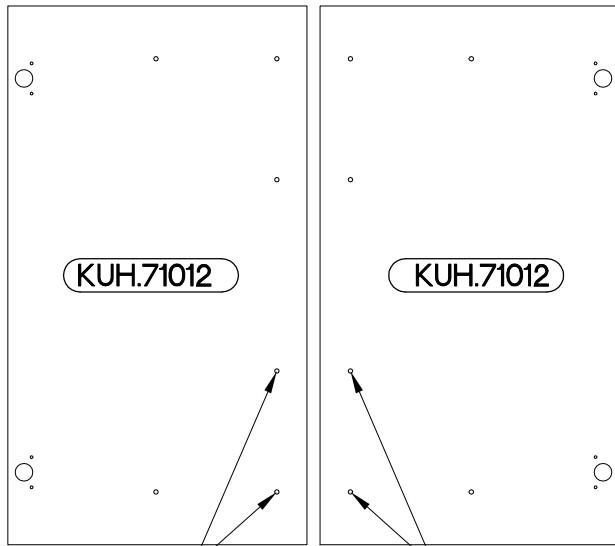
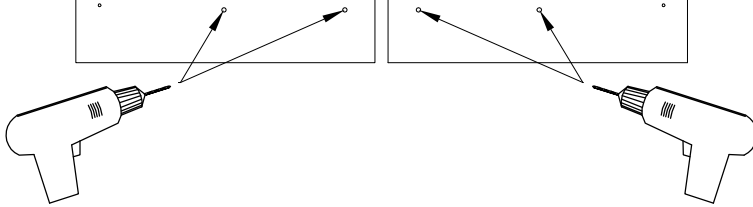
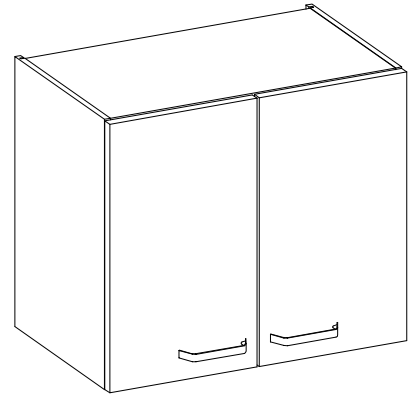
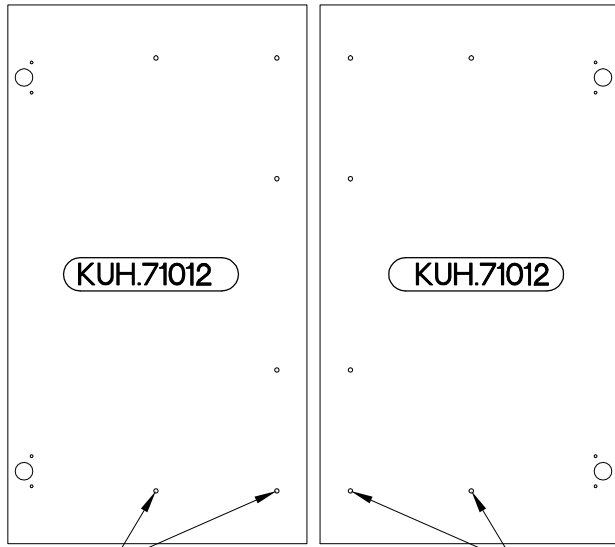
6

L=160mm S 2	M4x22mm U 4
-------------------	-------------------



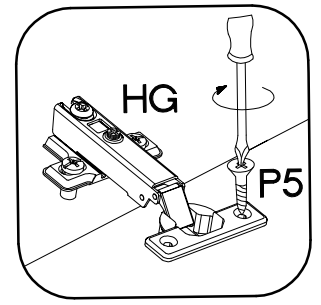
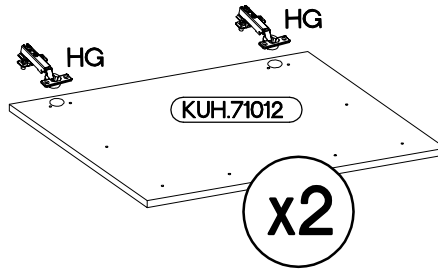
VARIANT HIGH GLOSS





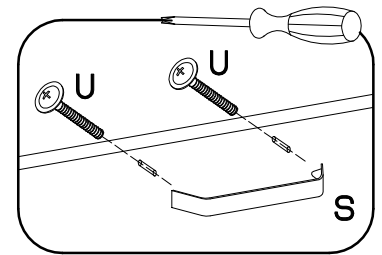
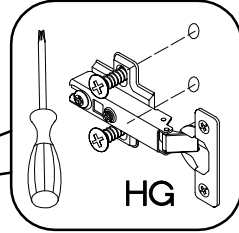
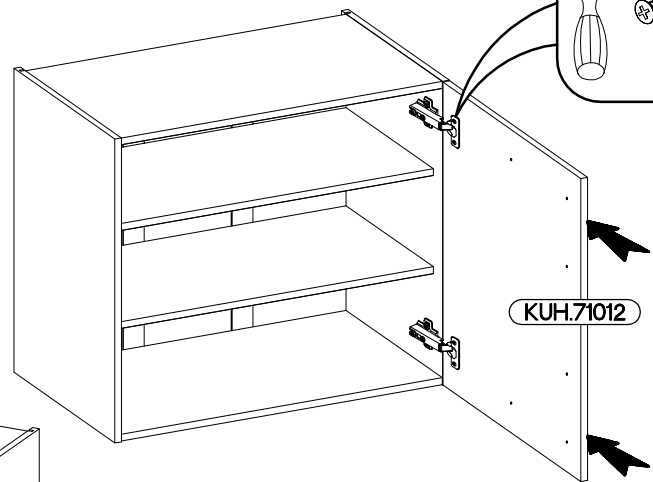
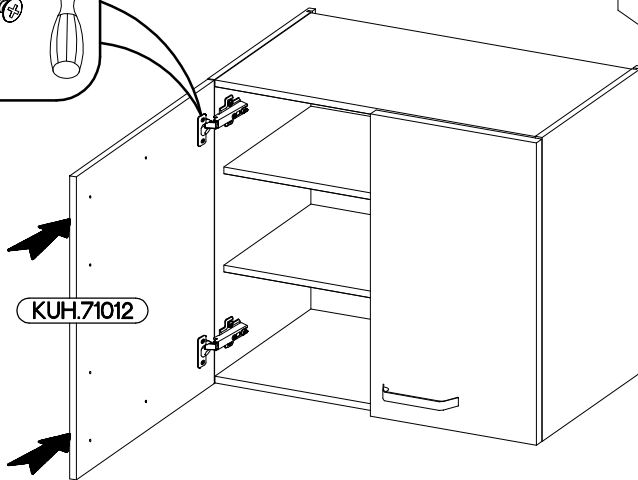
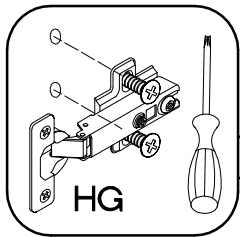
8

±35/0mm [CD] HG 4	±3.5x13mm P5 8
----------------------------	----------------------



9

L=160mm S 2	M4x22mm U 4
-------------------	-------------------



VARIANT HIGH GLOSS

