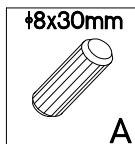
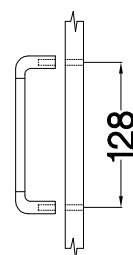
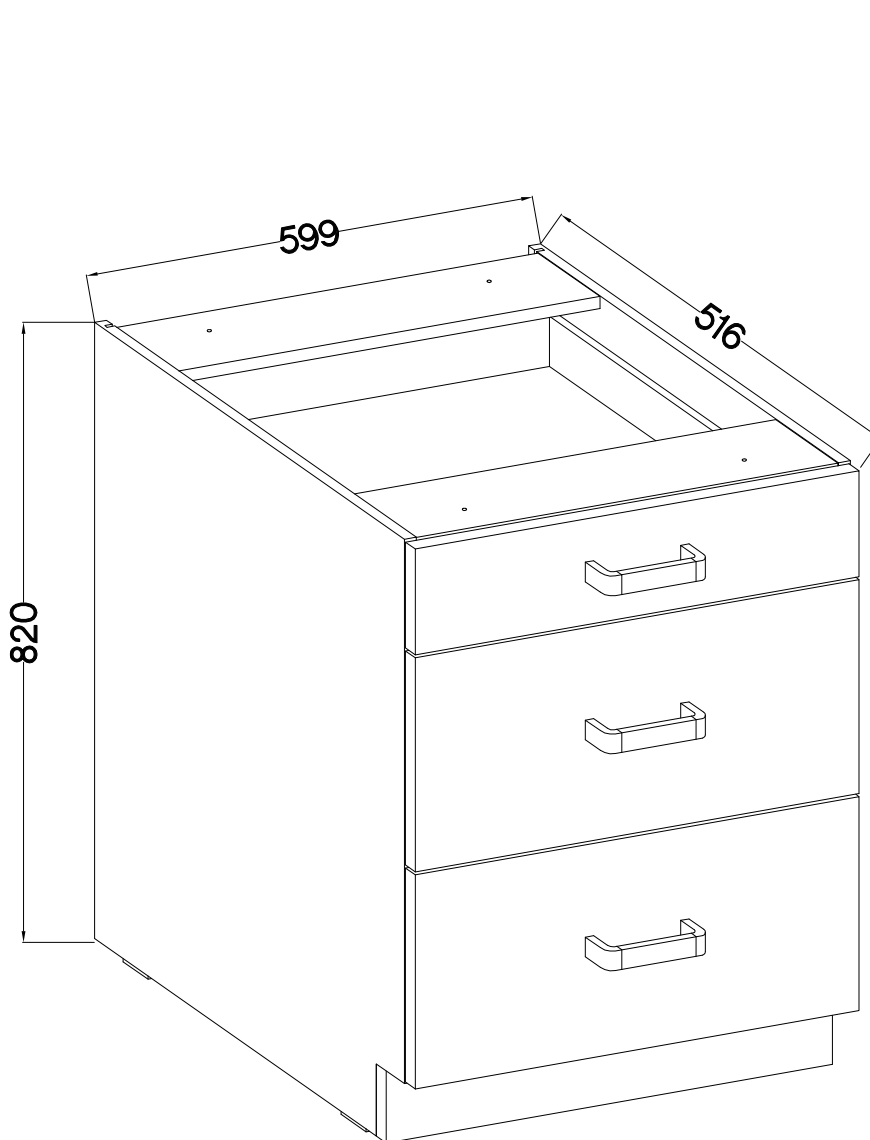
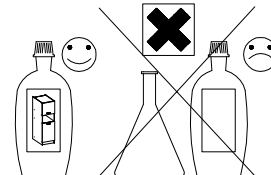
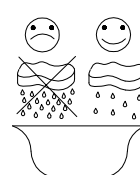


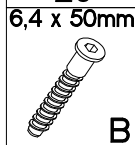
60 min

60 D 3S -
QUADRO



A

20



B

8



B2

10



C5

6



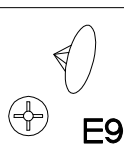
D2

6



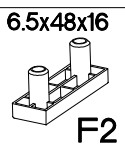
E1

8



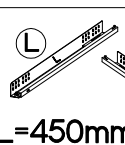
E9

2



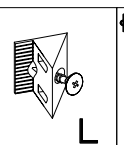
F2

4



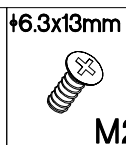
I11

3



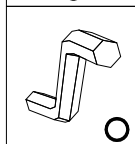
L

6



M2

24



O

1



O1

1



P4

2



P7

8-10



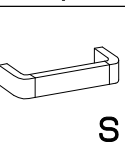
R2

6



R3

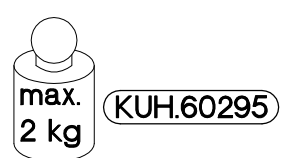
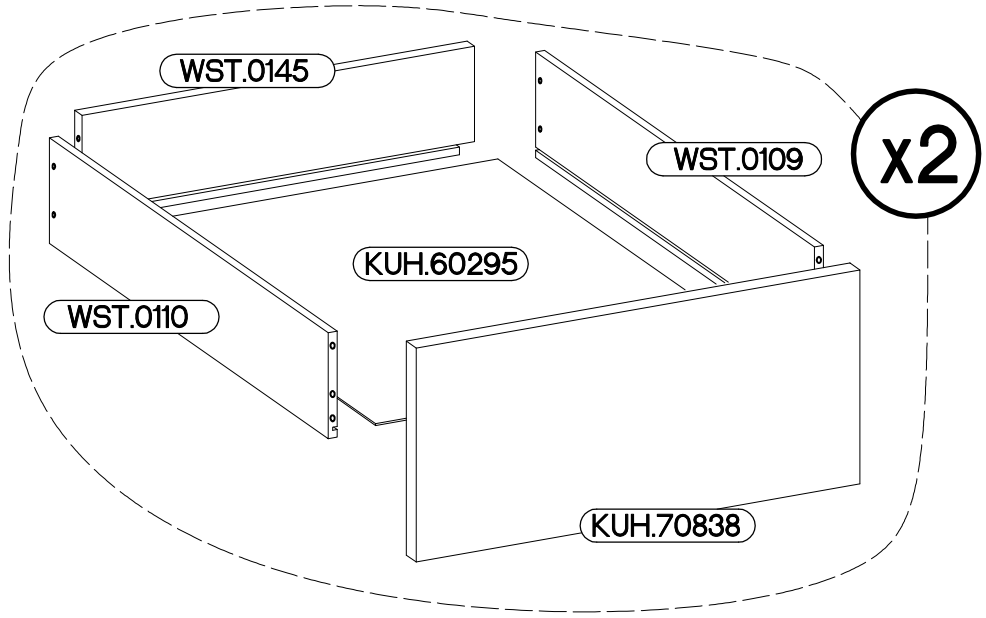
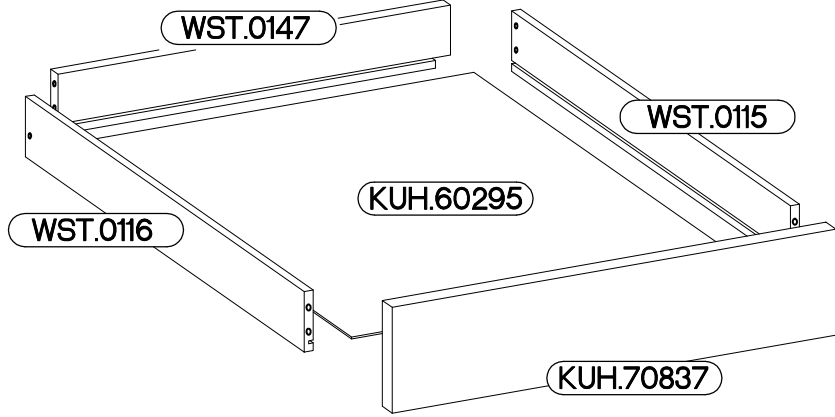
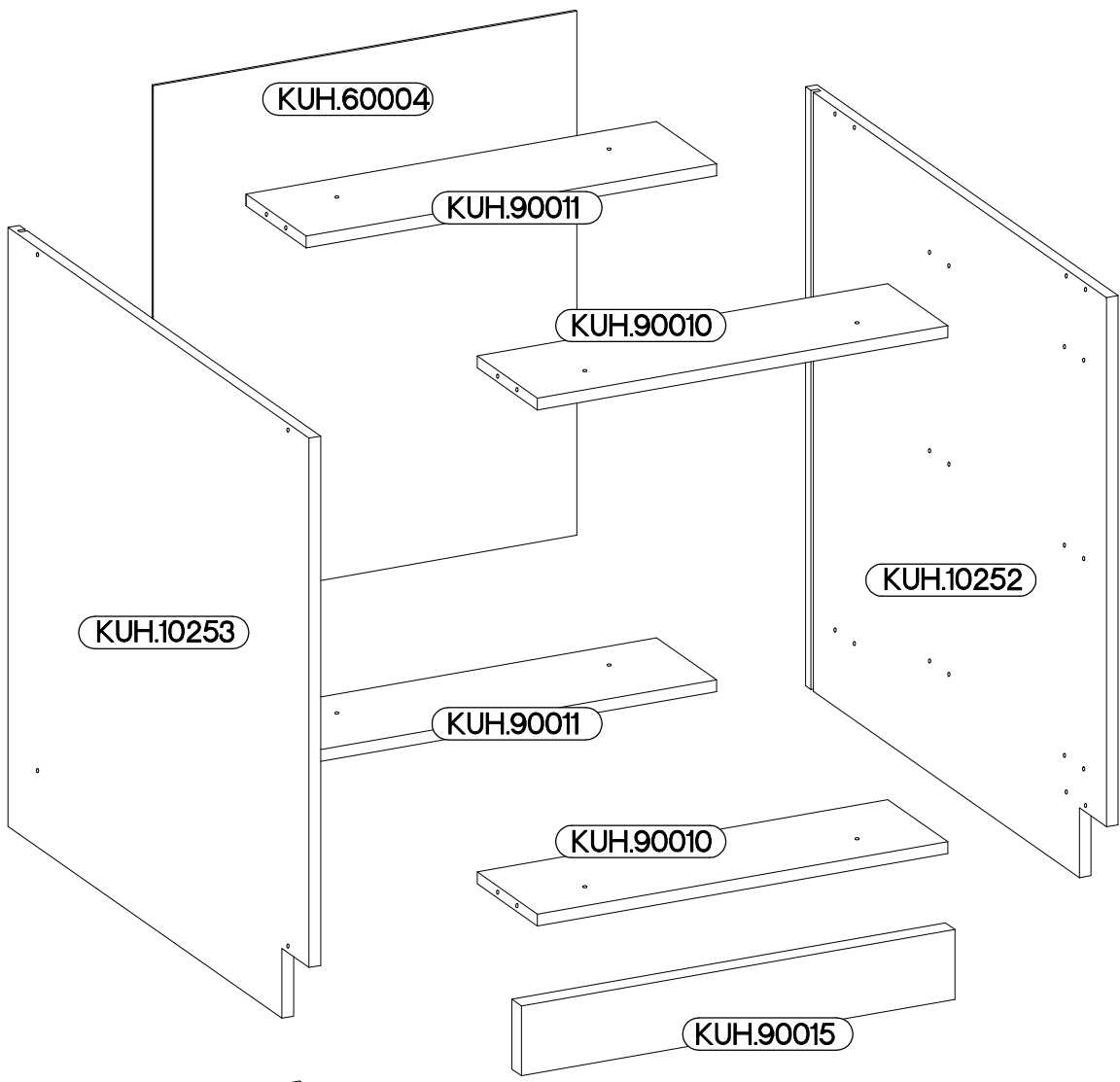
4




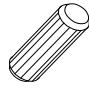

S

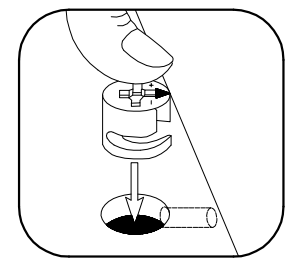
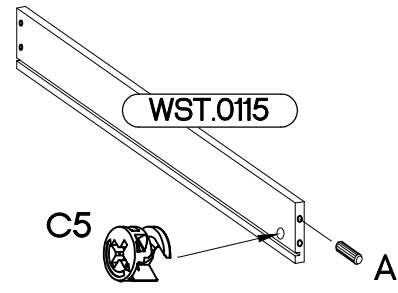
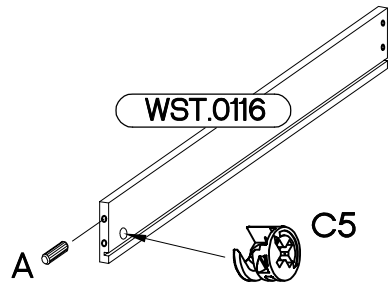
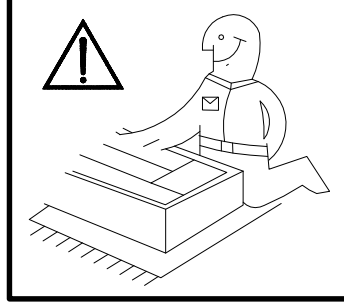
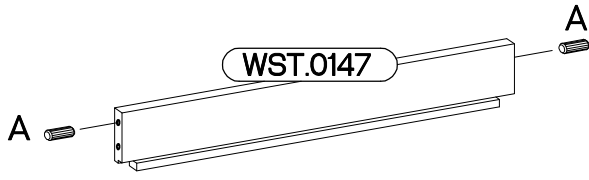
3

ISM-KUH-01289





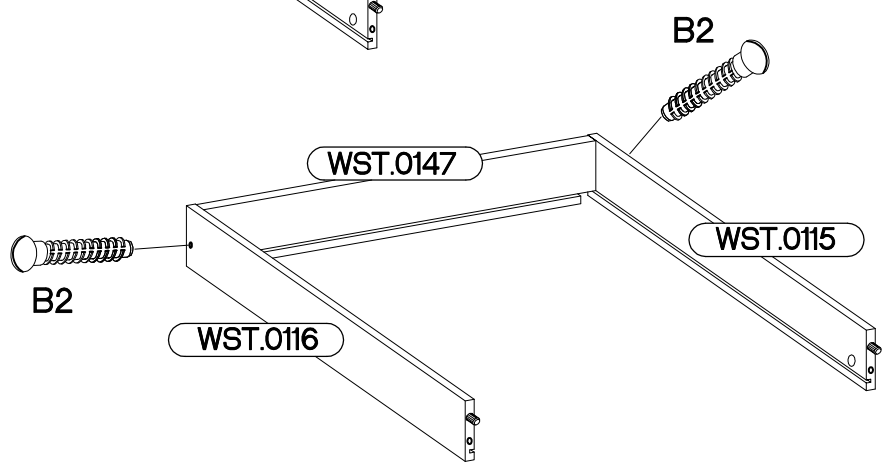
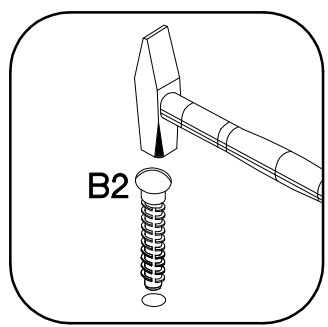
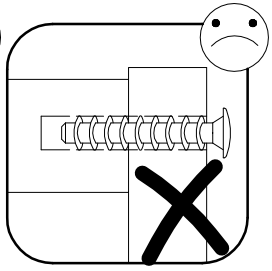
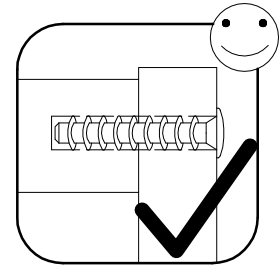
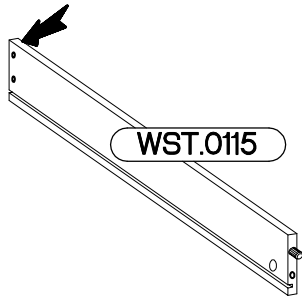
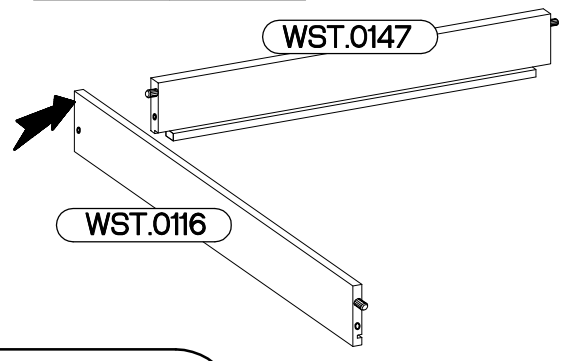
1

<p>†12/10mm</p>  <p>C5</p> <p>2</p>	<p>†8x30mm</p>  <p>A</p> <p>4</p>	 <p>O1</p> <p>1</p>
---	---	---

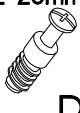


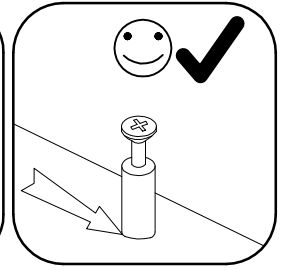
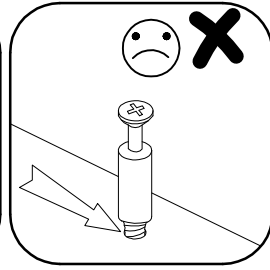
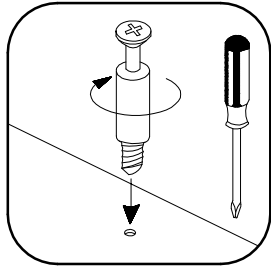
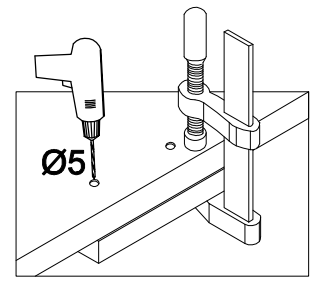
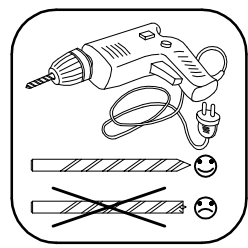
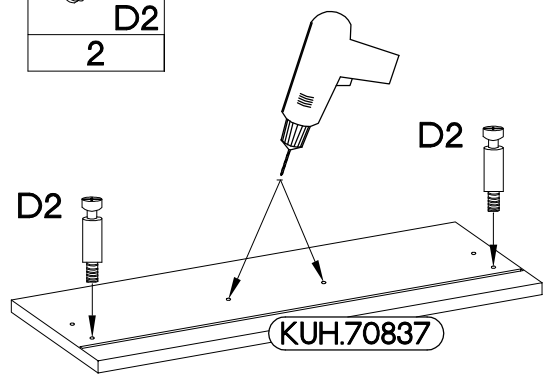
2

<p>†6x42mm</p>  <p>B2</p> <p>2</p>	 <p>O1</p> <p>1</p>
---	--

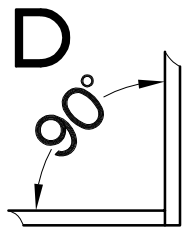
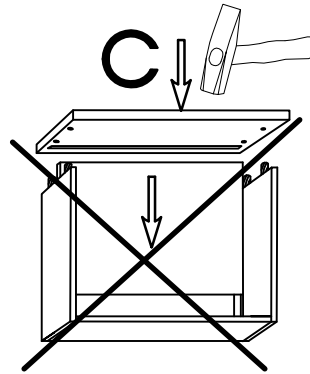
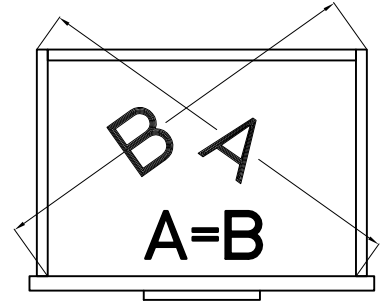
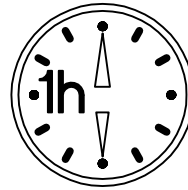
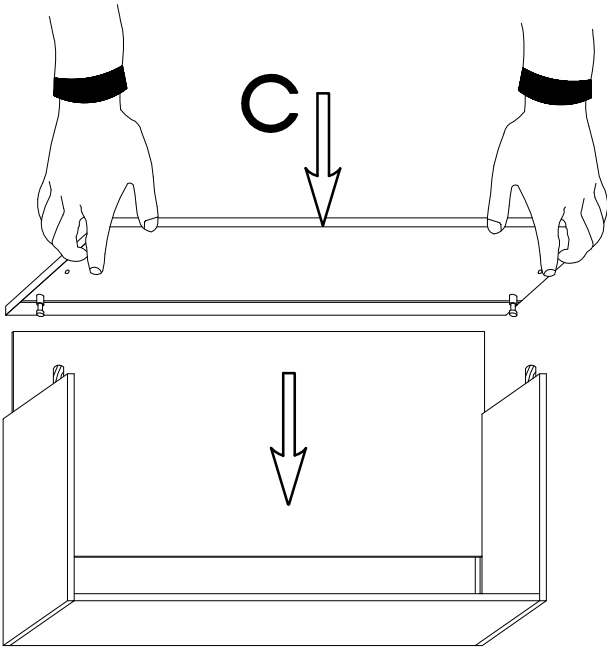
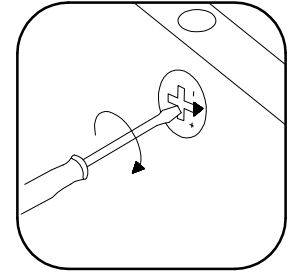
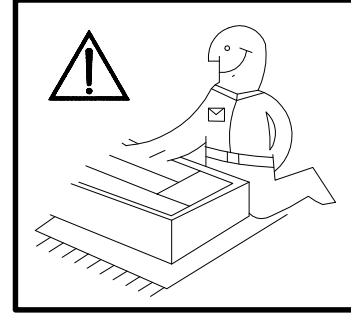
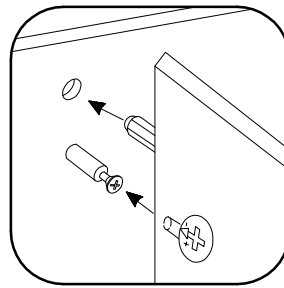
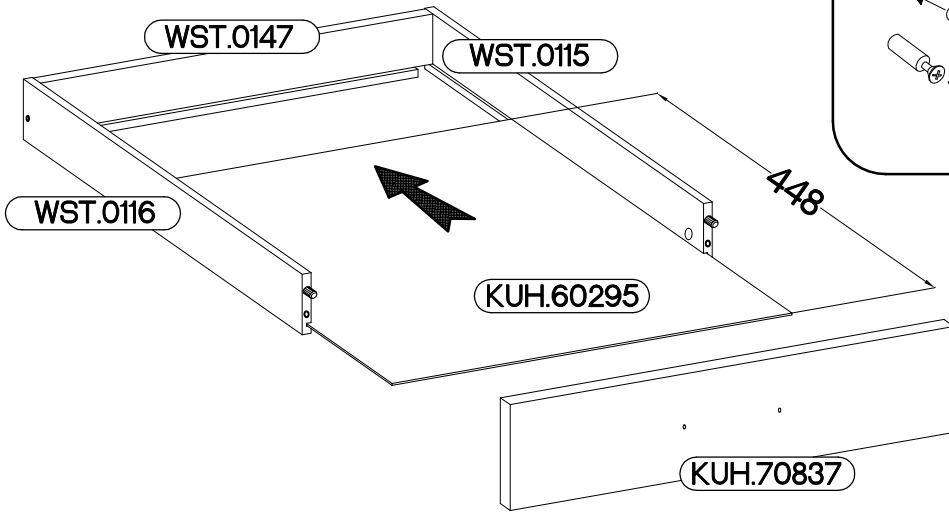


3

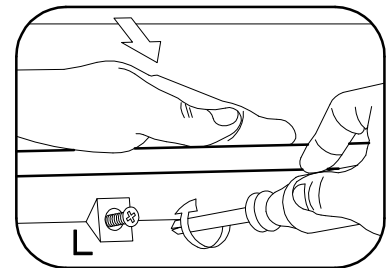
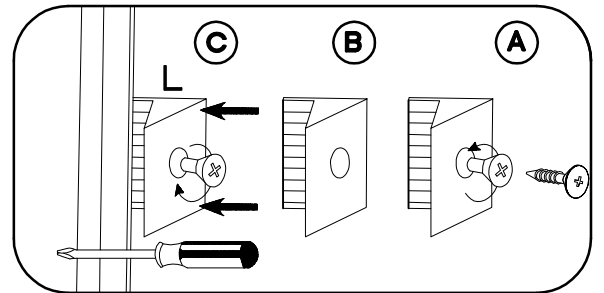
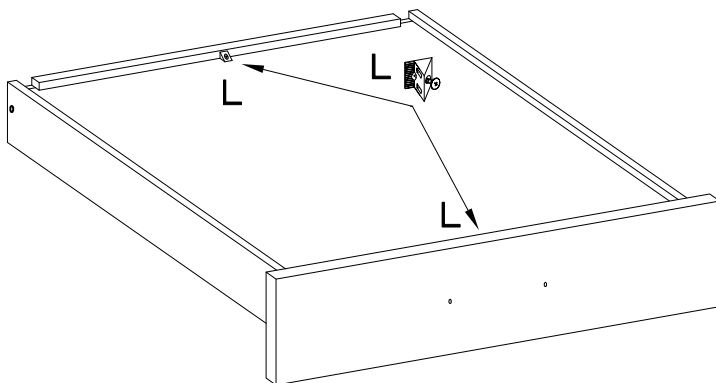
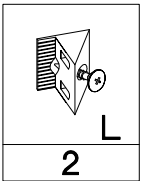
<p>L=20mm</p>  <p>D2</p> <p>2</p>
--




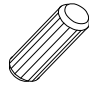

4



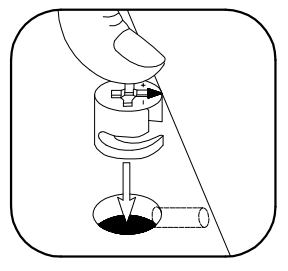
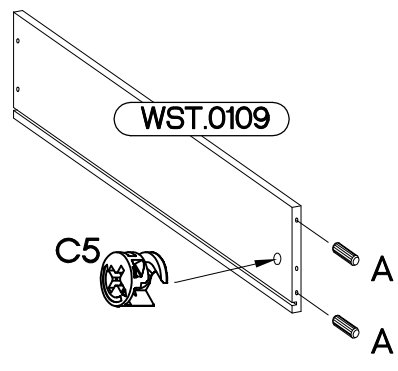
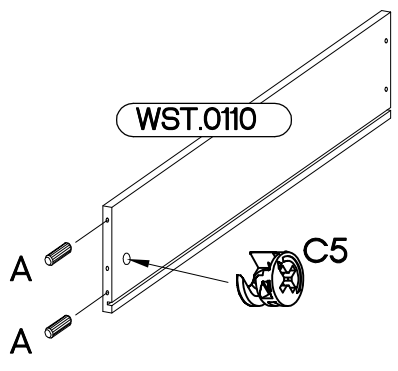
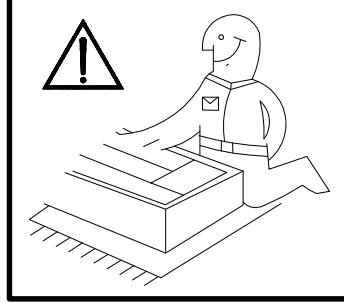
5




6

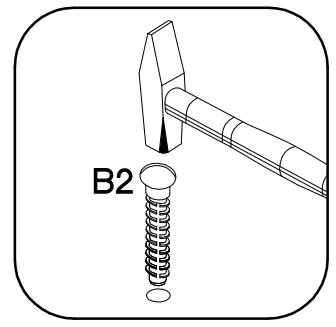
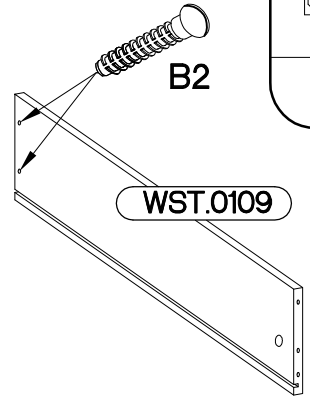
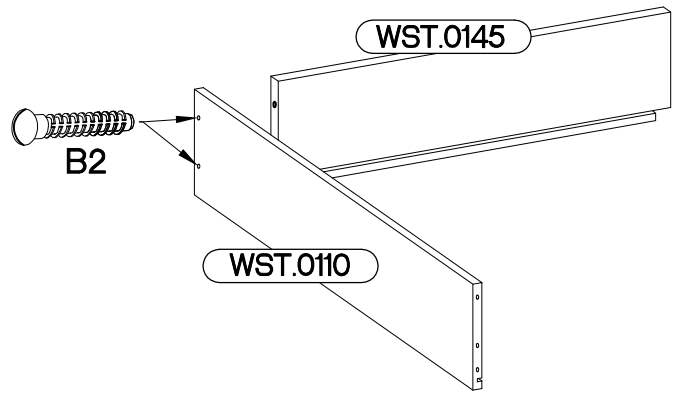
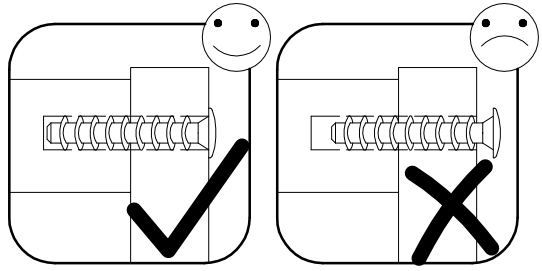
#12/10mm  C5 4	+8x30mm  A 8	 O1 1
---	---	---

x2




7

+6x42mm  B2 8

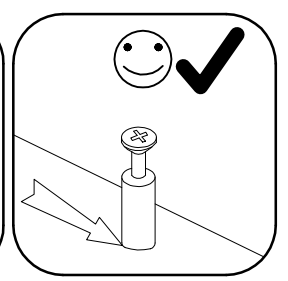
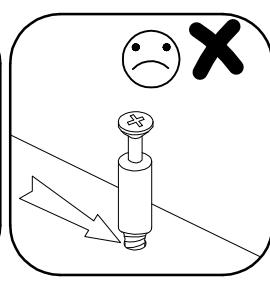
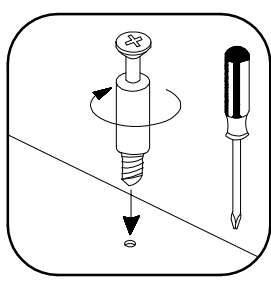
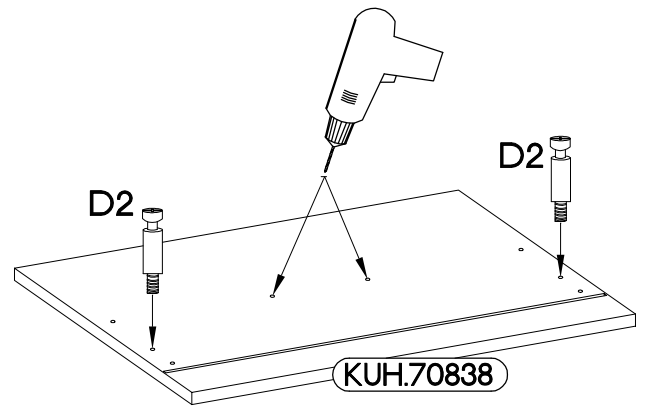
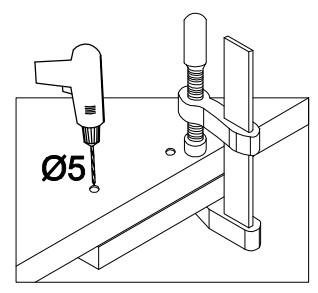
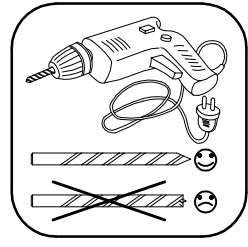


x2

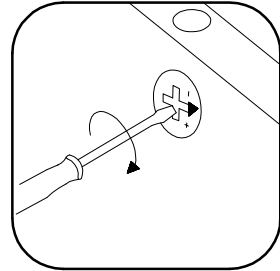
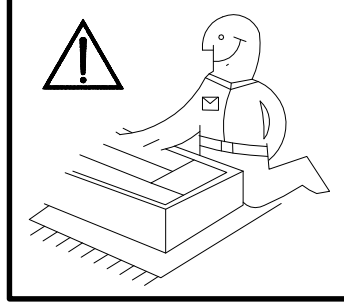
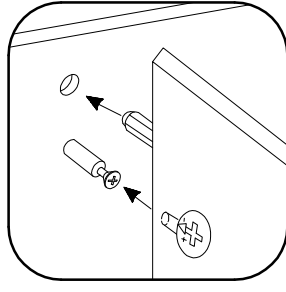
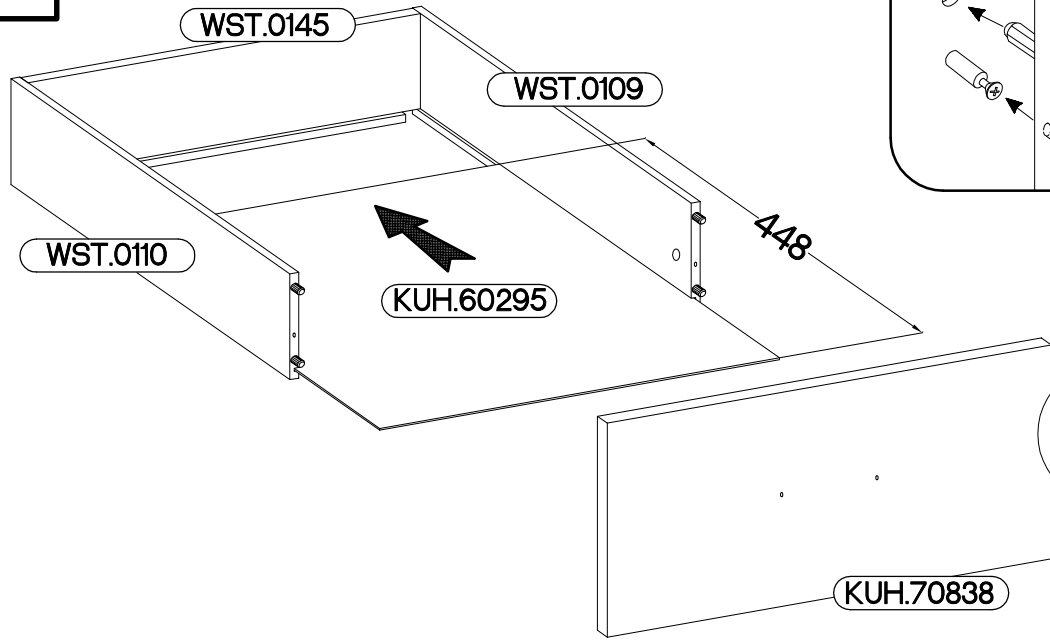
8

L=20mm  D2 4
--

x2

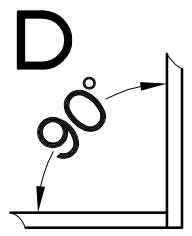
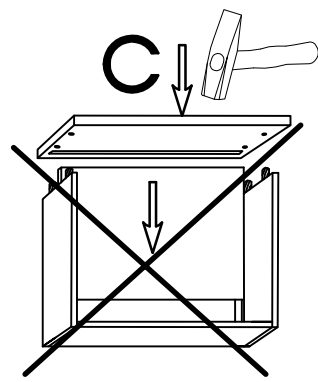
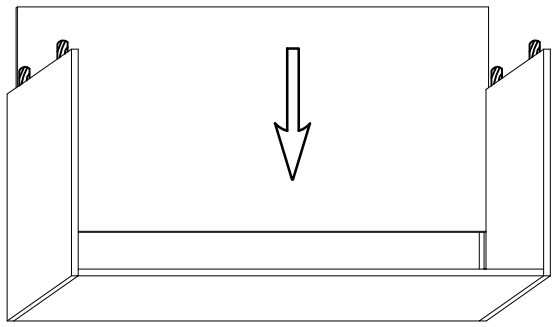
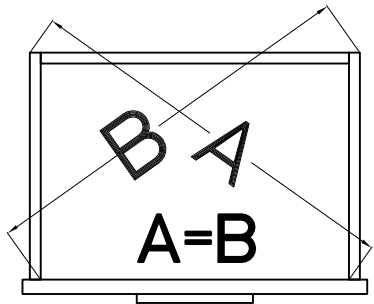
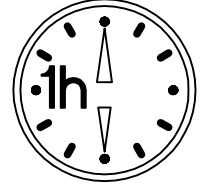
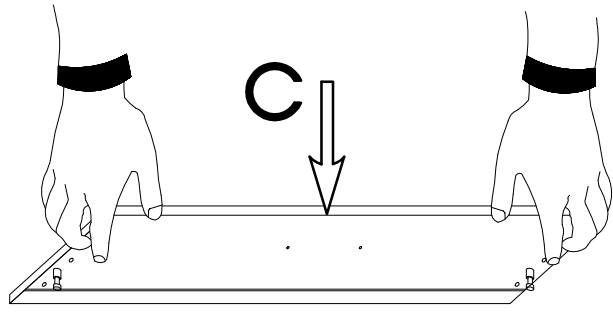


9

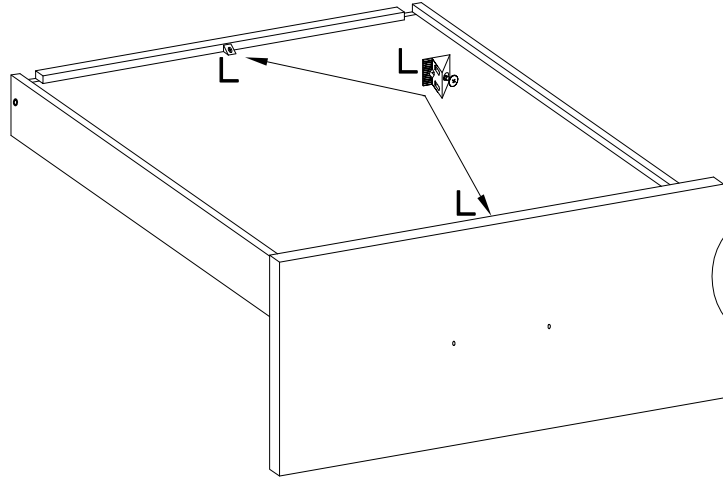
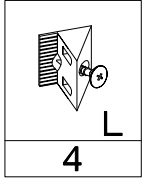


x2

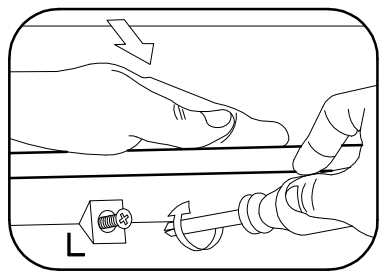
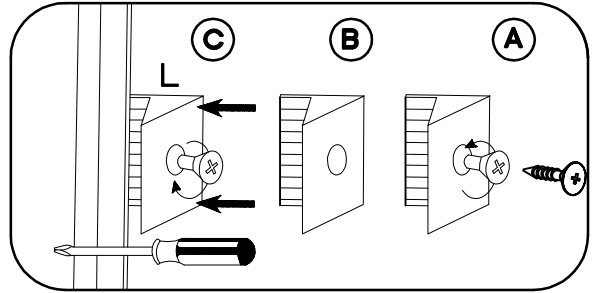
KUH.70838



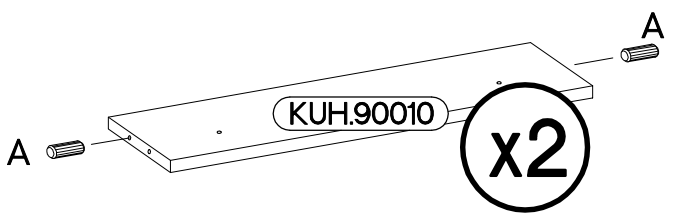
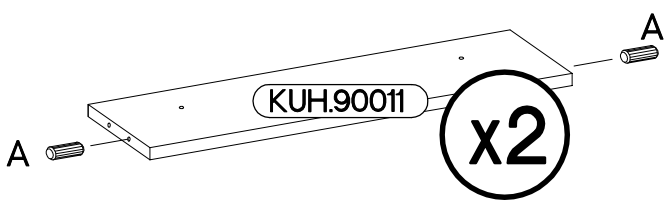
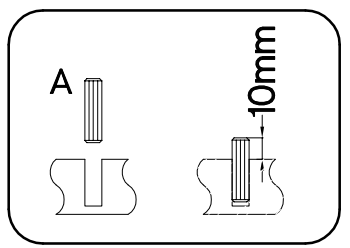
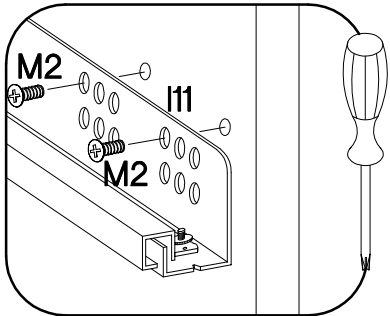
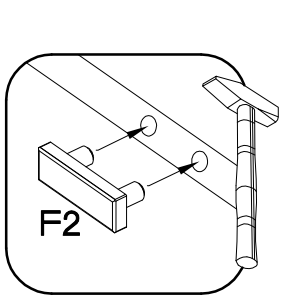
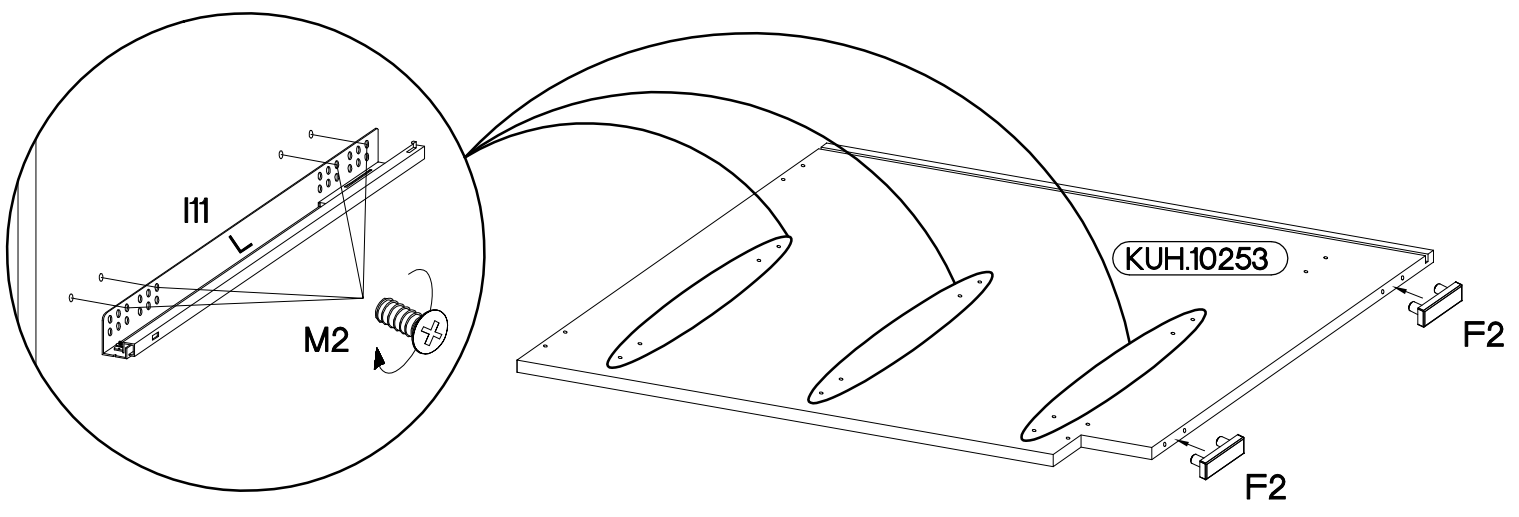
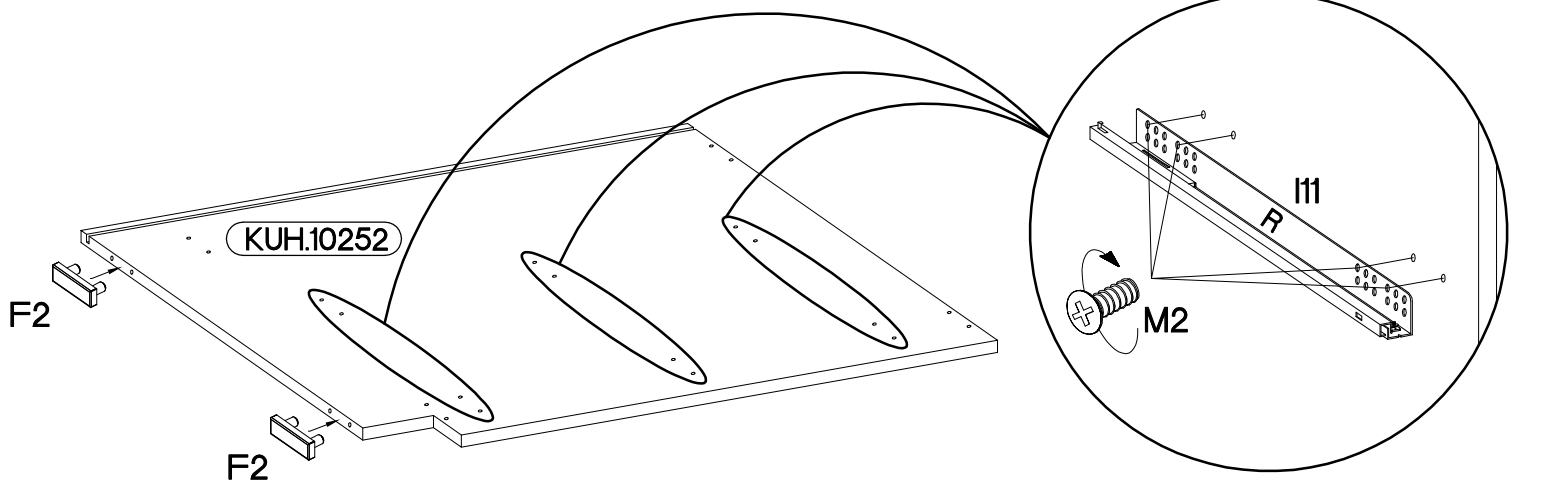
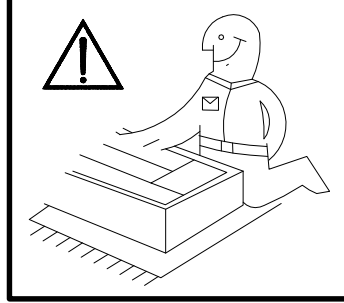
10




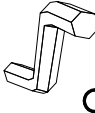
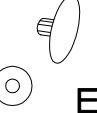
x2

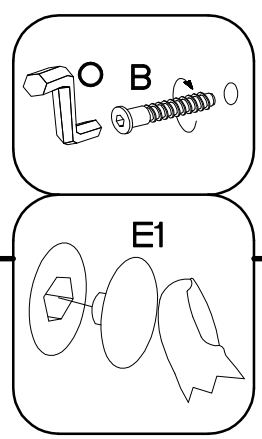
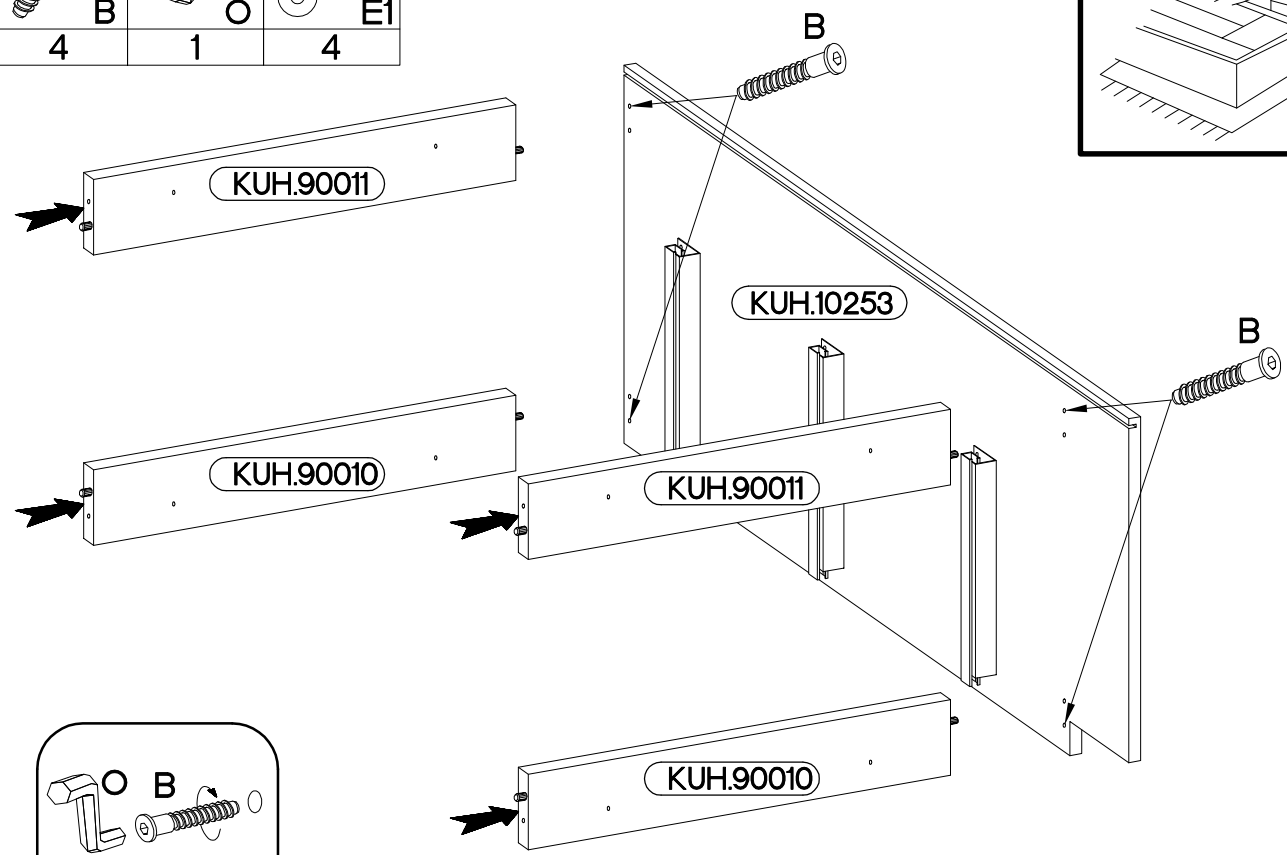
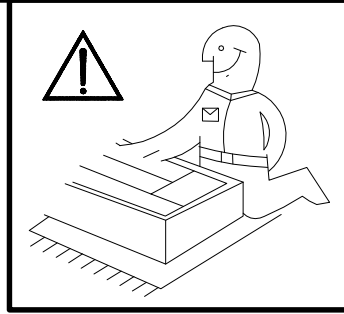


6.5x48x16 F2 4	±8x30mm A 8	L=450mm L R 3	±6.3x13mm M2 24
----------------------	-------------------	---------------------	-----------------------

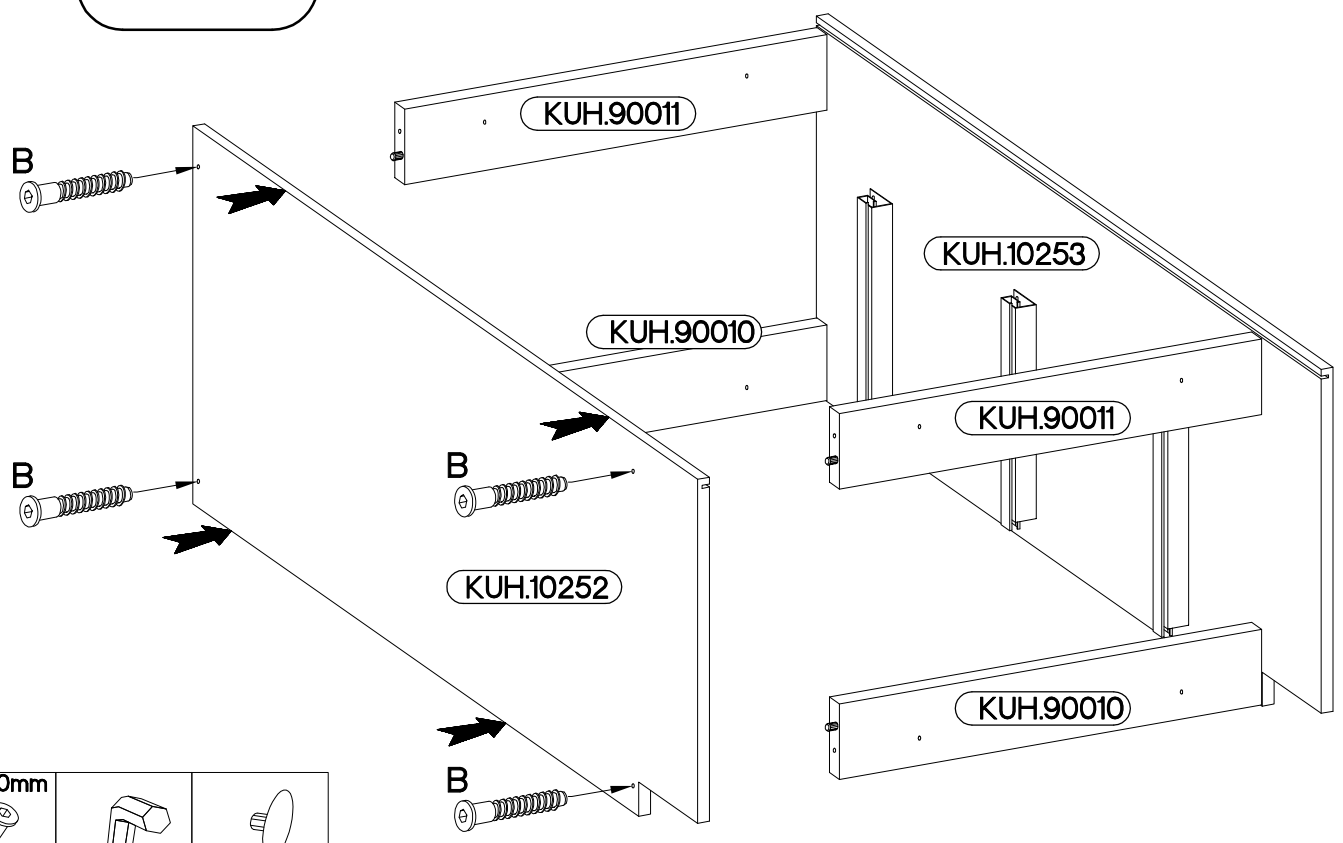


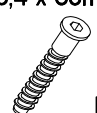
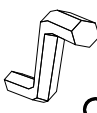
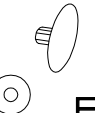
12

6,4 x 50mm		
		
B	O	E1
4	1	4

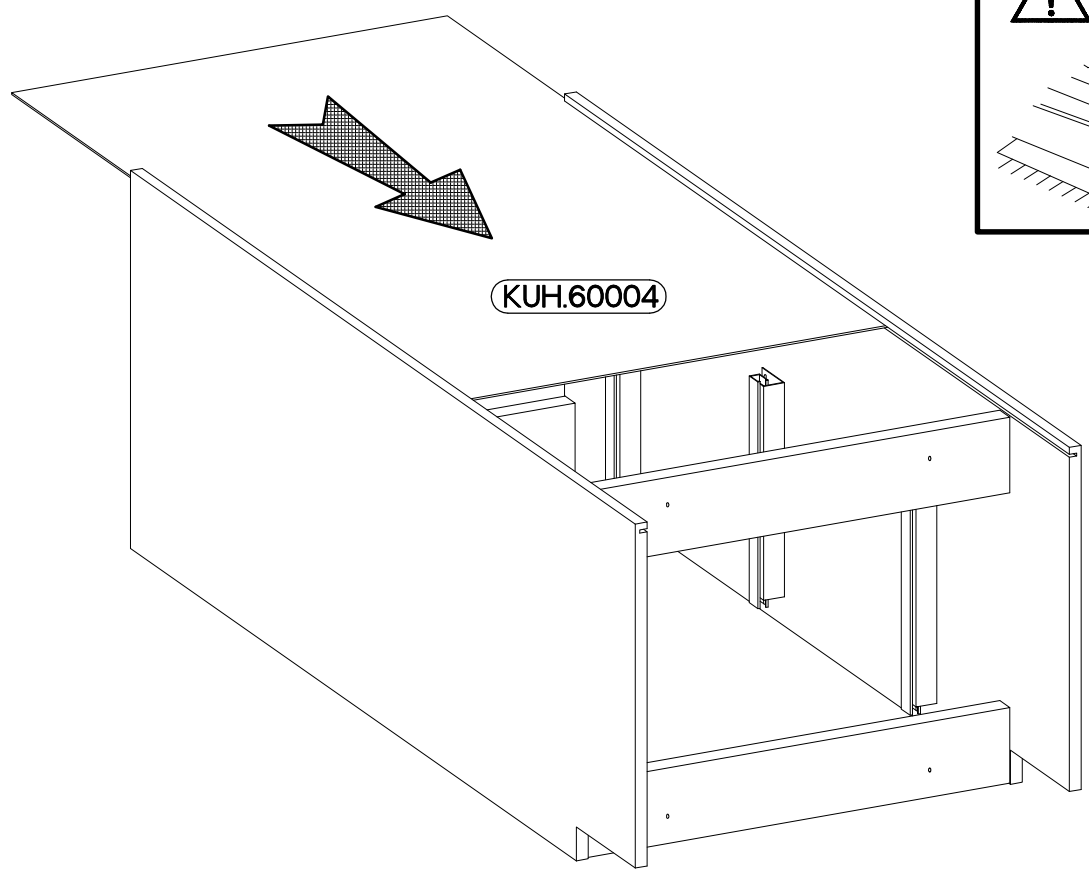
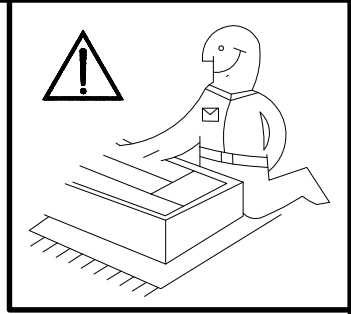


13

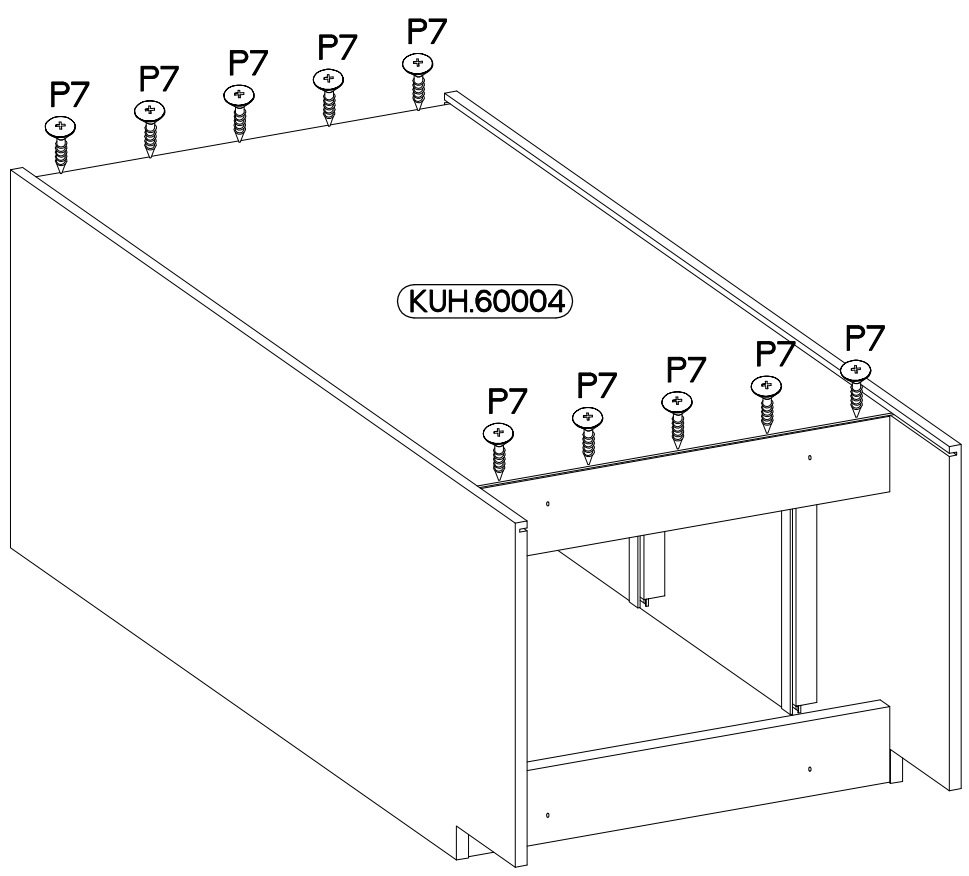
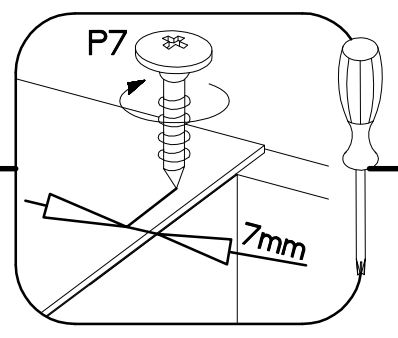
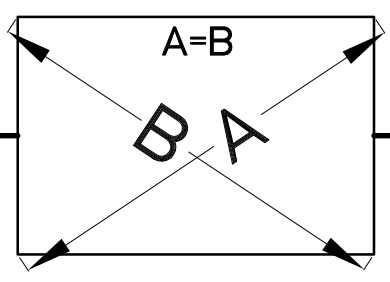
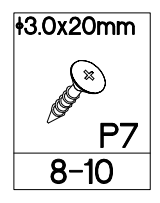





6,4 x 50mm		
		
B	O	E1
4	1	4

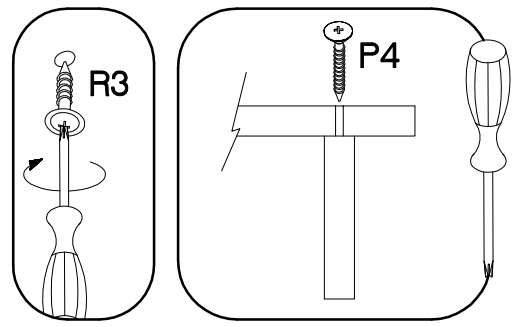
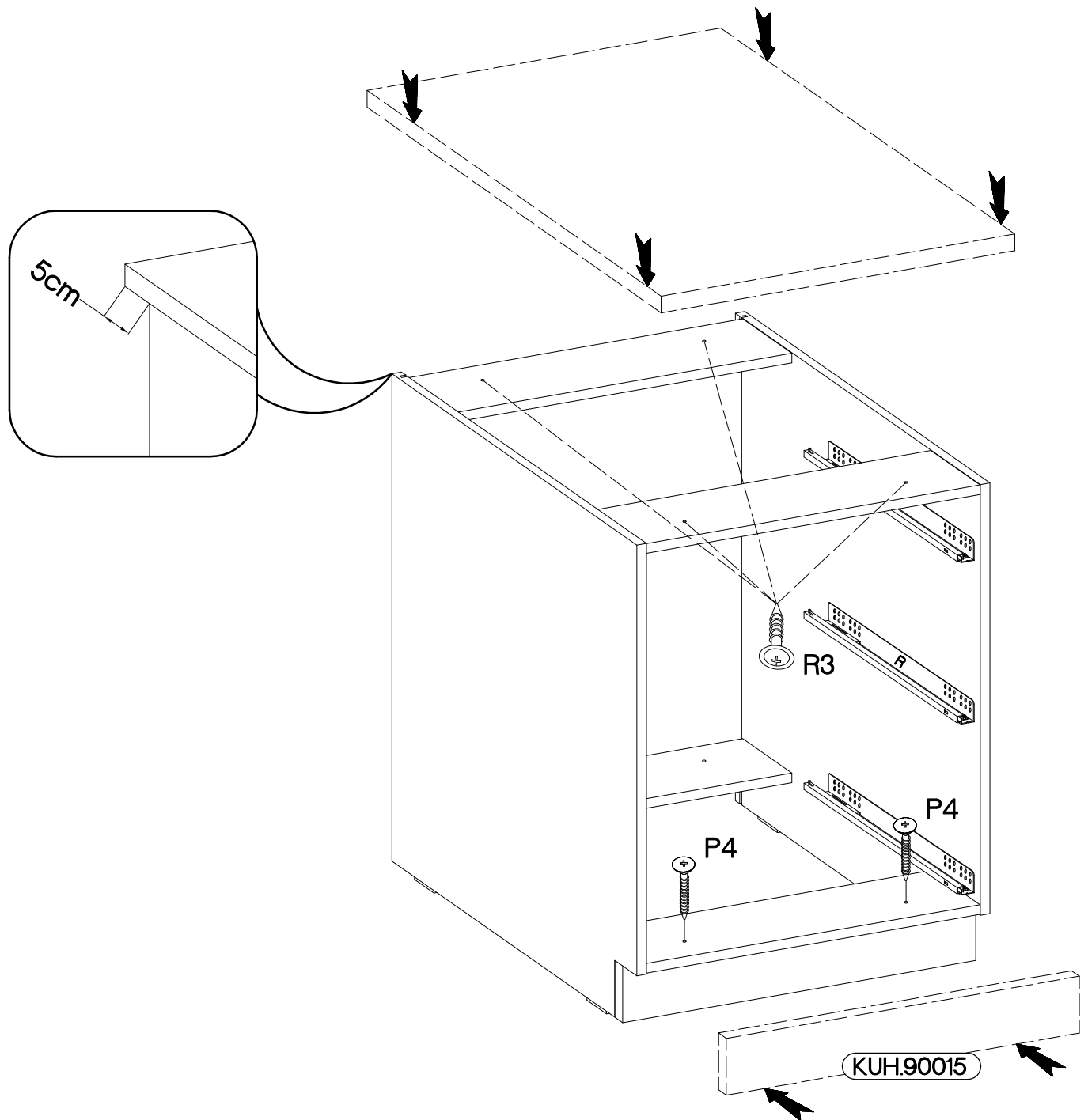
14

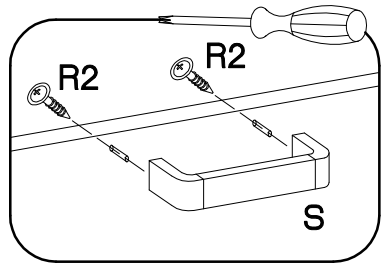
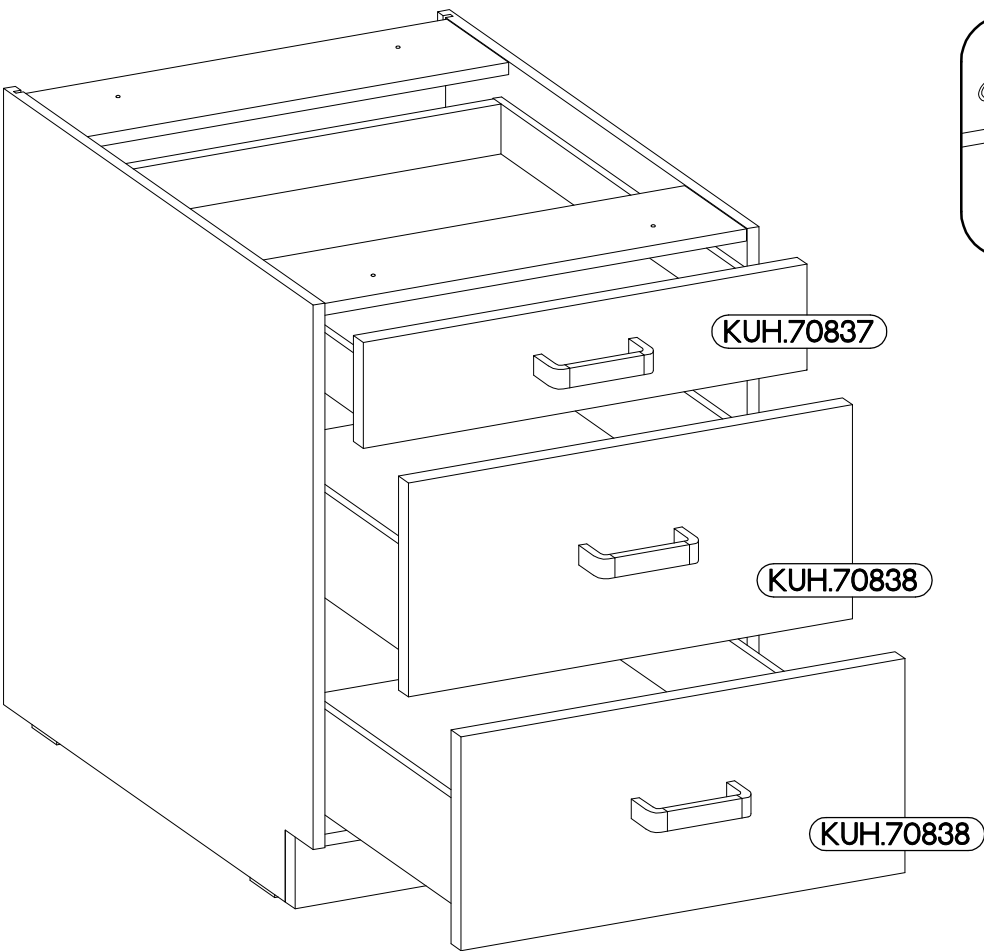


15

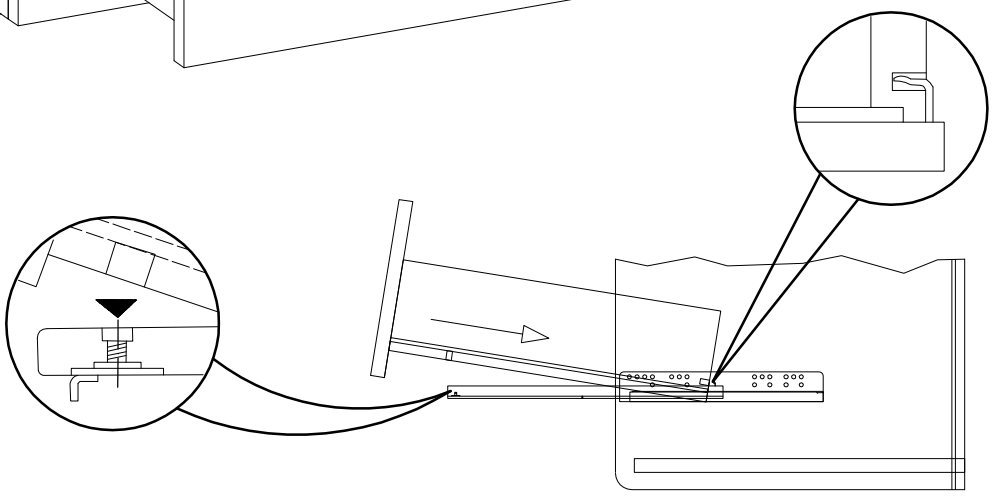


↑4.0x45mm  P4 2	 E9 2	↑4.0x35mm  R3 4
--	---	--

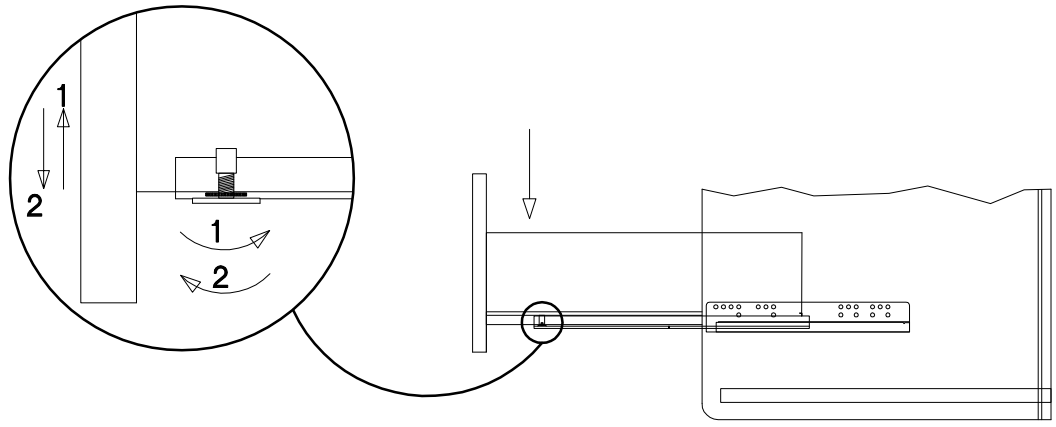



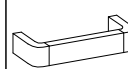


1.



2.



4.0x30mm	
	
R2	S
6	3