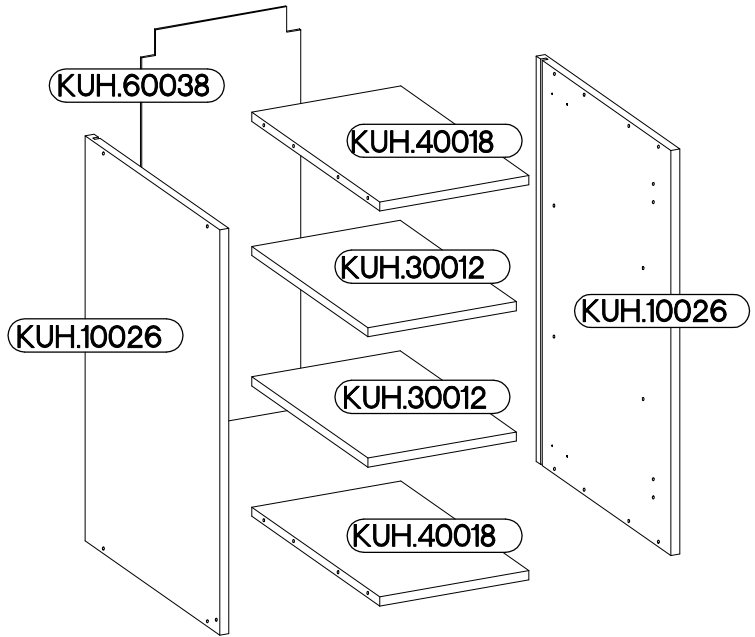
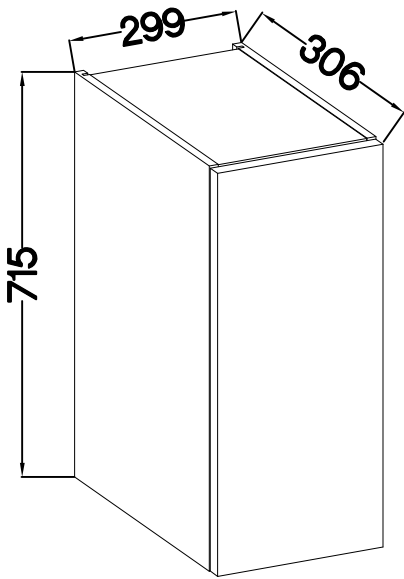
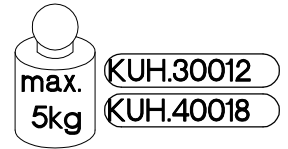
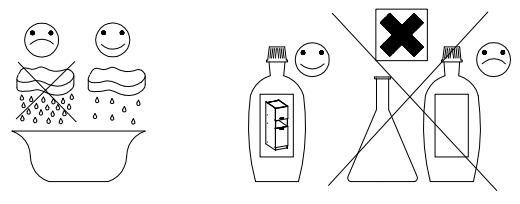
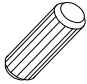




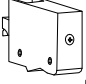
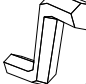



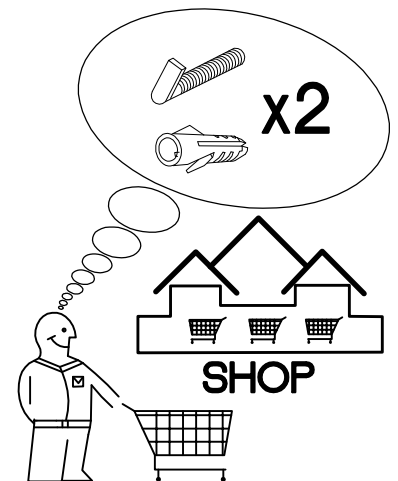


30 G-72 1F

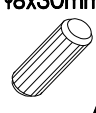

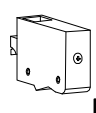


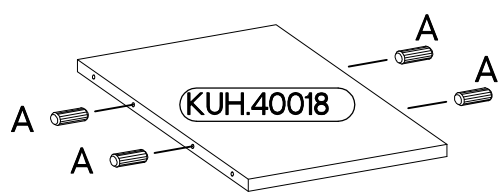
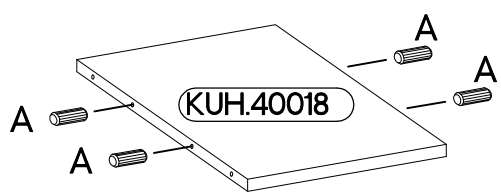
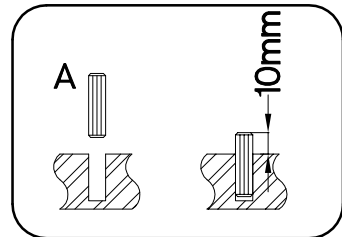
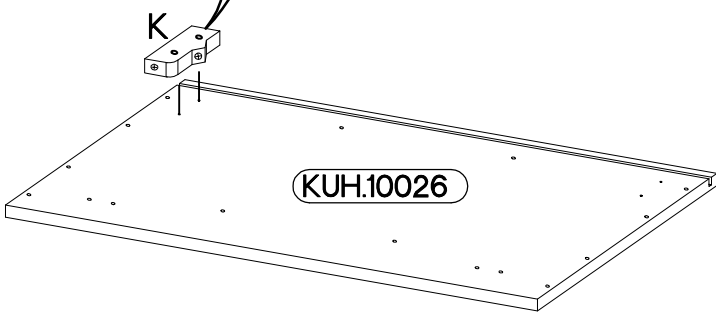
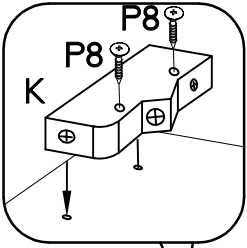
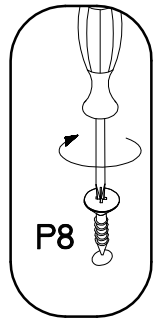
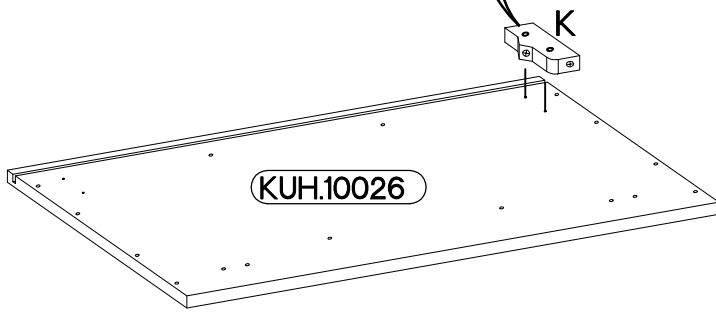
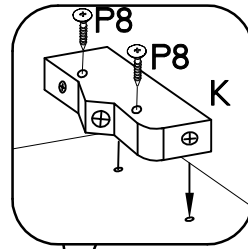
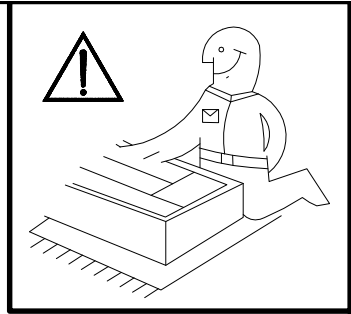
 ±8x30mm A	 6,4 x 50mm B	 E1	 ±35/0mm [CD] HG		
8	8	8	2		
 J	 K	 O	 ±3.5x13mm P5	 ±3.0x20mm P7	 ±4.0x30mm P8
8	2	1	4	8-10	4



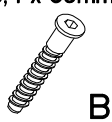
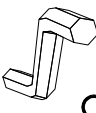
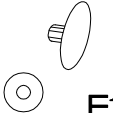
ISM-KUH-01610

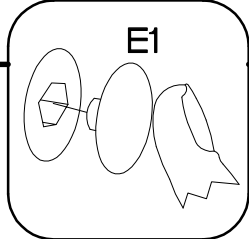
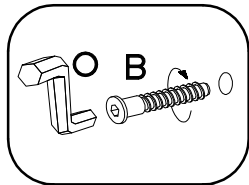
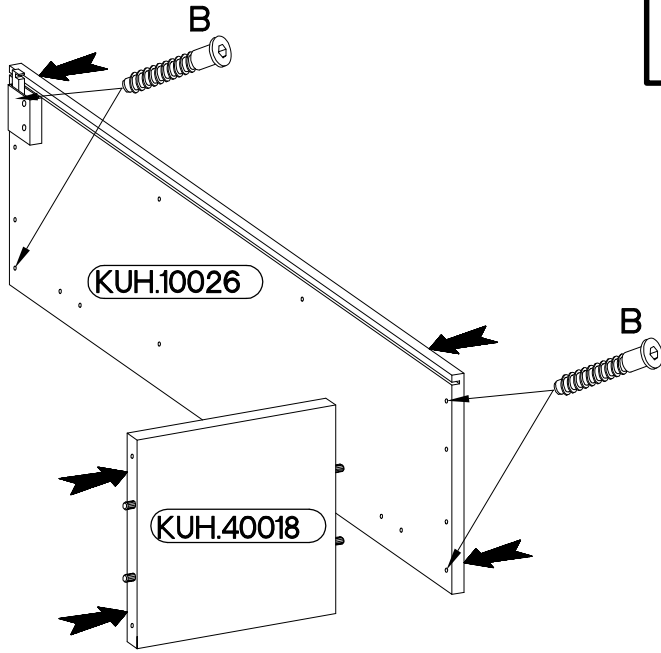
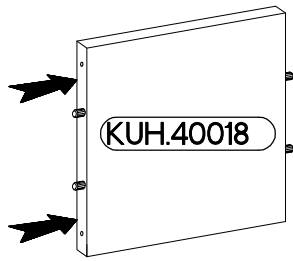
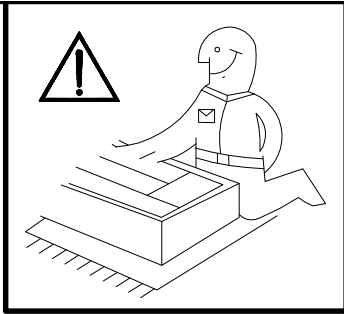
1

 †8x30mm A	 †4.0x30mm P8	 K
8	4	2

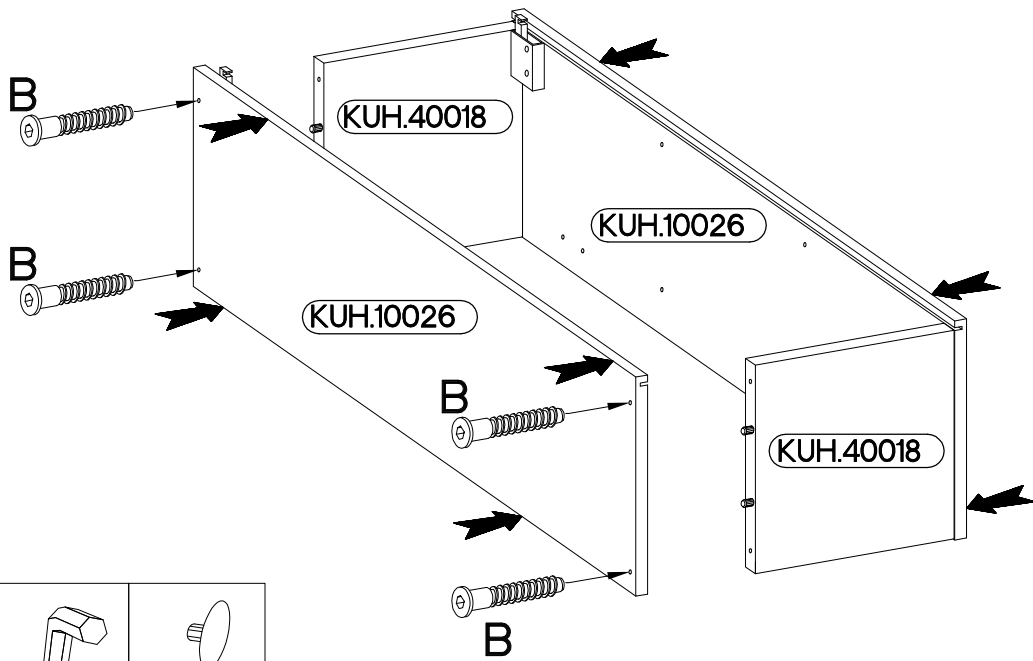


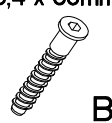
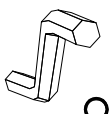
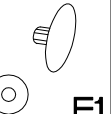
2

6,4 x 50mm		
		
B	O	E1
4	1	4

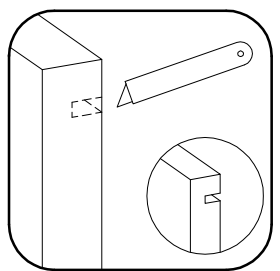
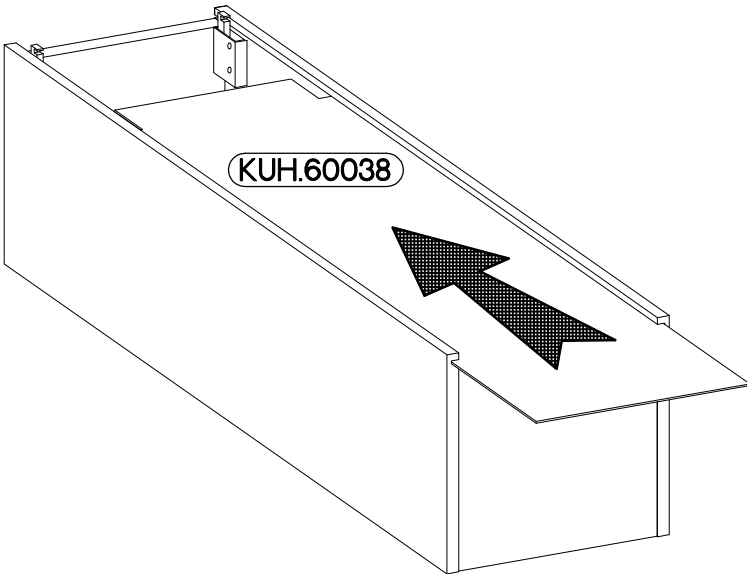
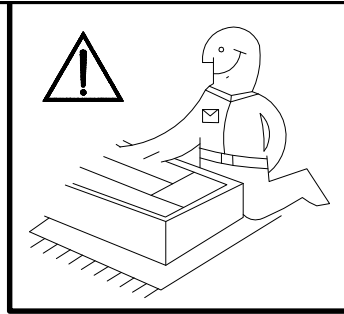


3

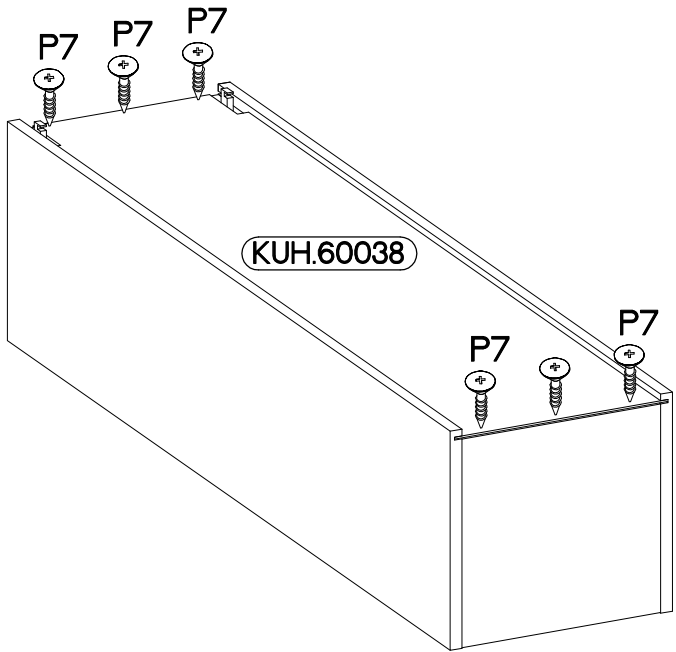
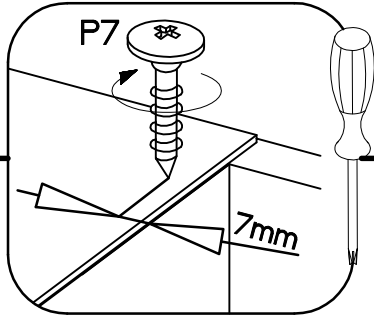
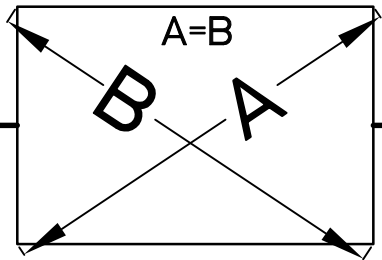
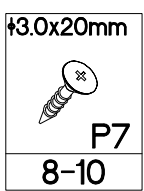


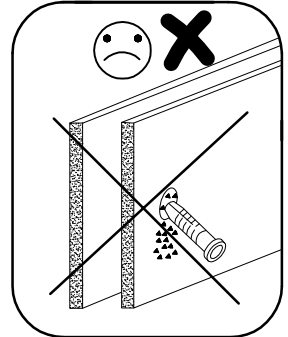
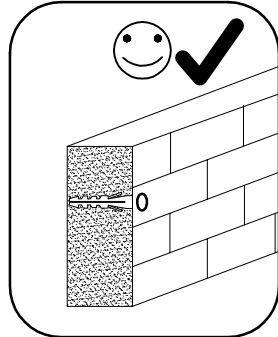
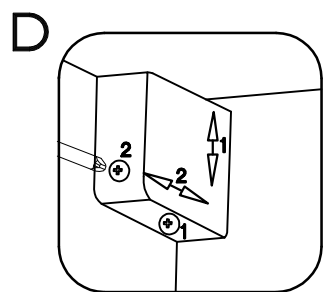
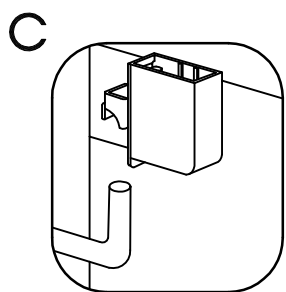
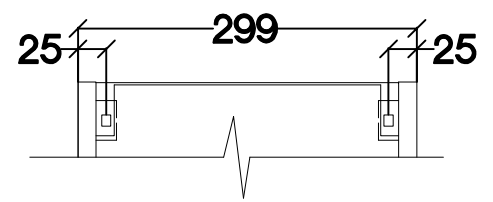
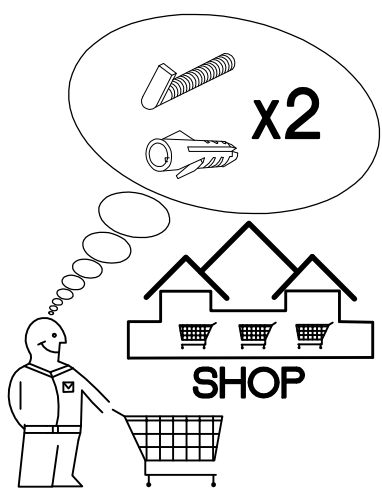
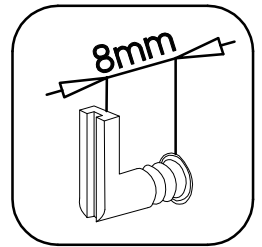
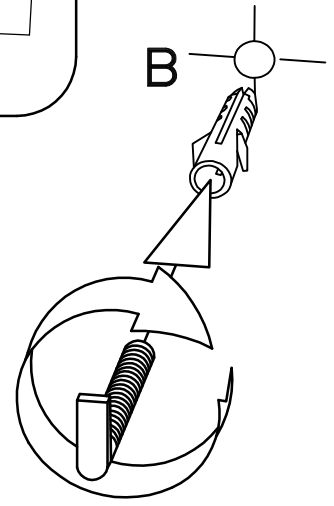
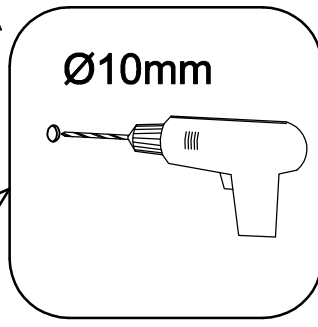
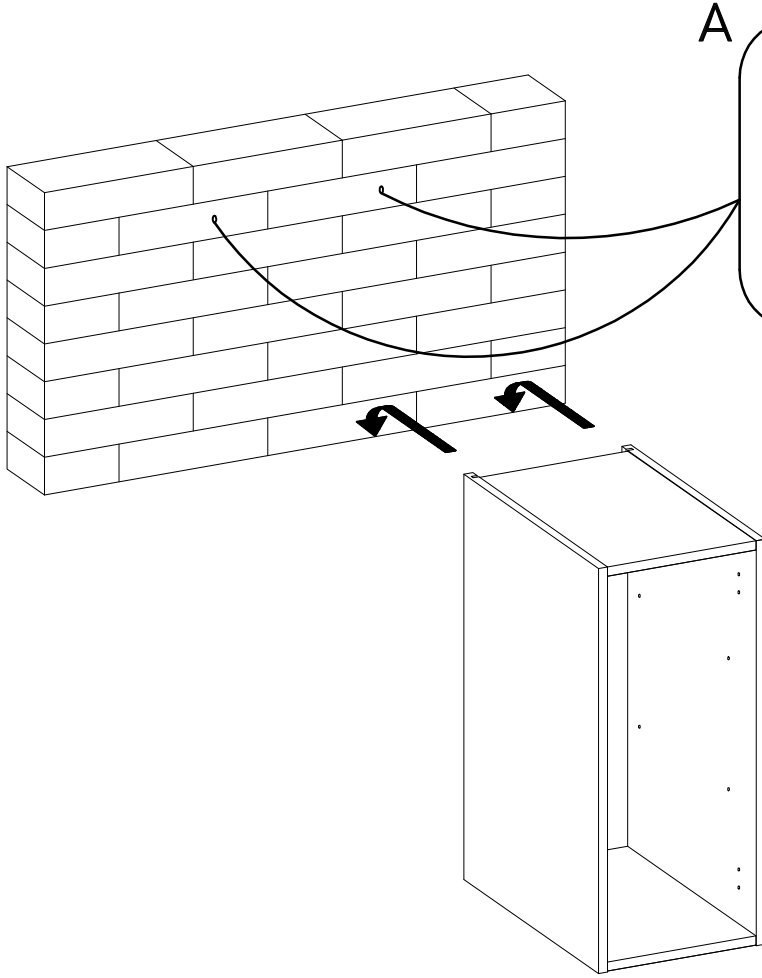
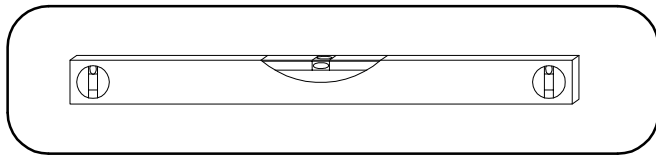
6,4 x 50mm		
		
B	O	E1
4	1	4

4



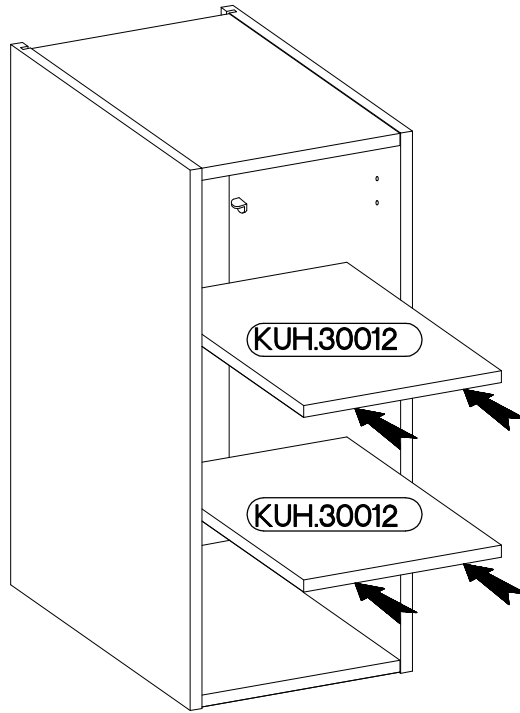
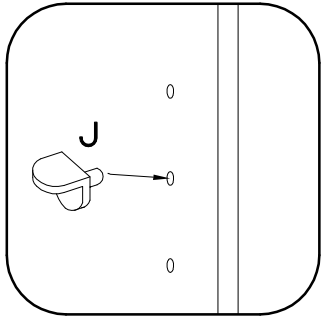
5





7

±5/19mm
J
12



8

FRONT

