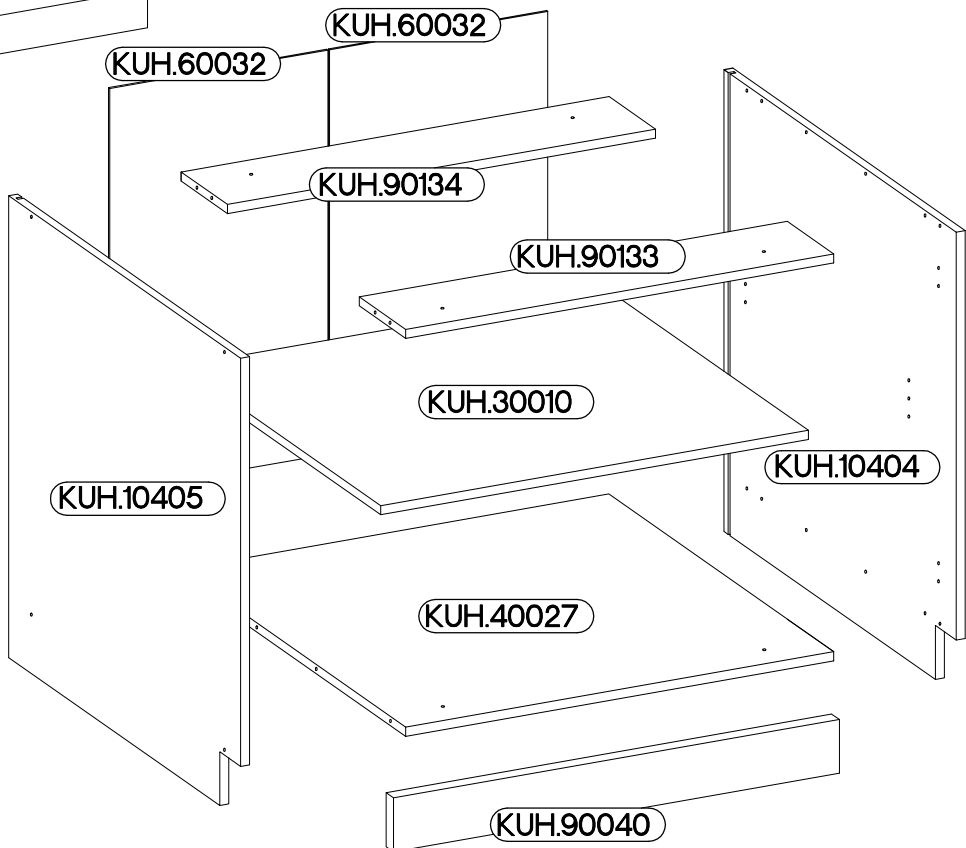
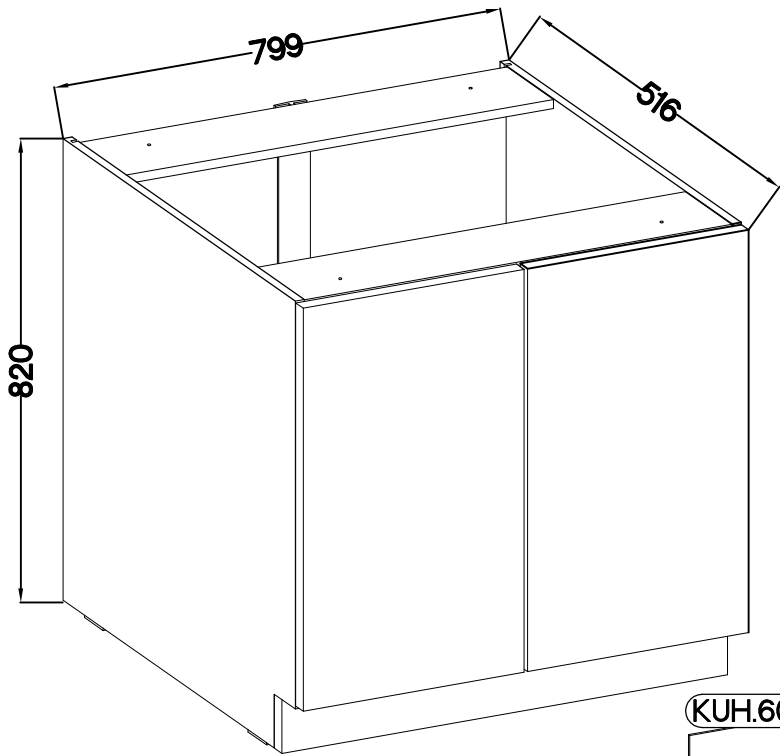
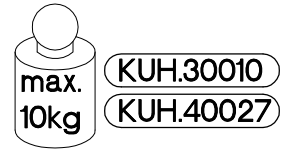
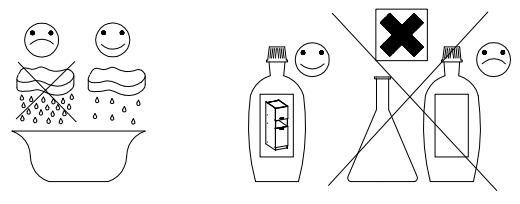
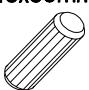


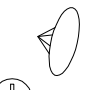



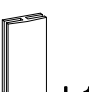
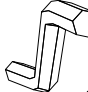

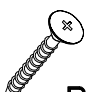




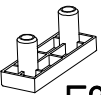
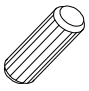
80 D 2F BB

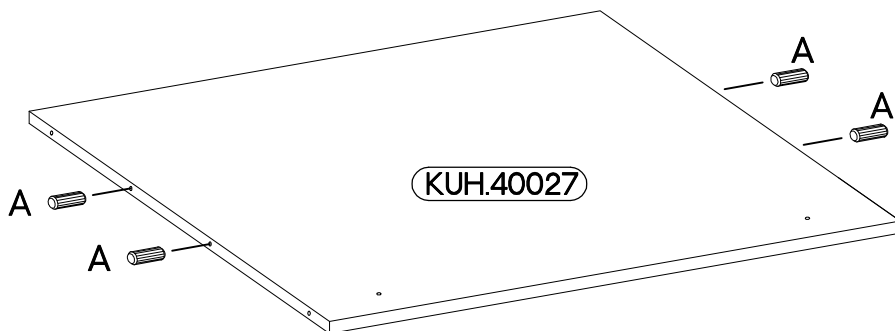
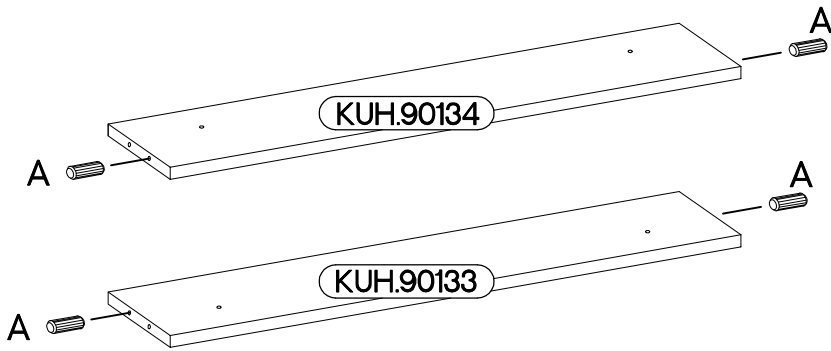
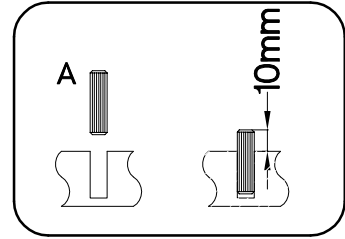
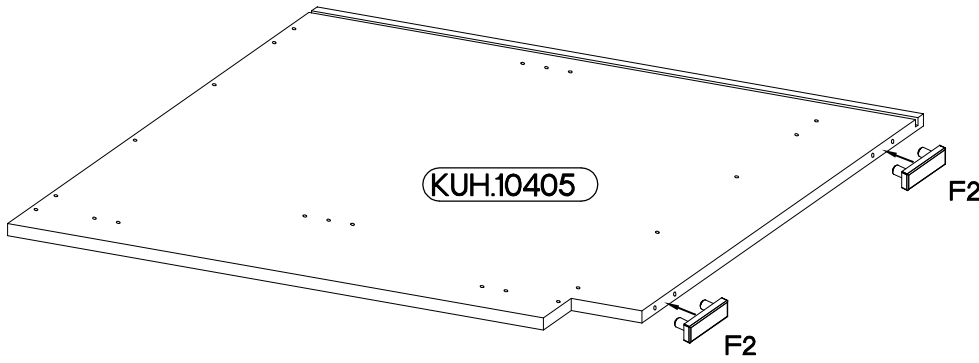
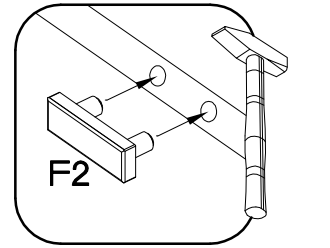
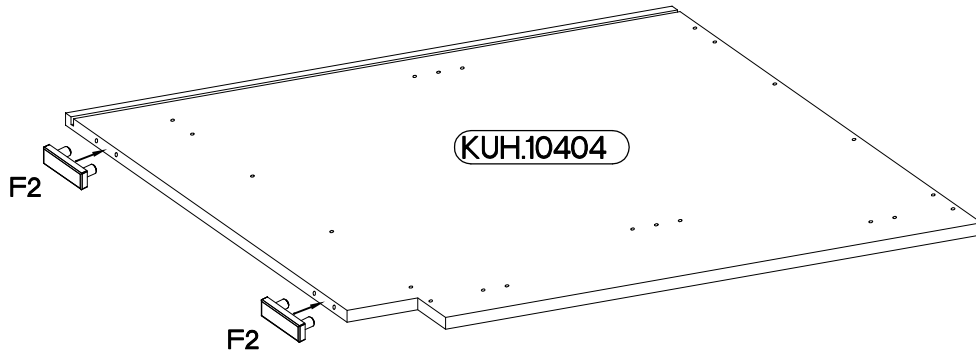
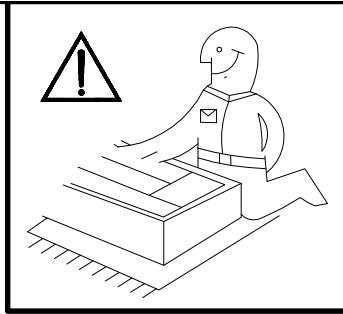


 A	 B	 E1			
8	8	8			
 E9	 F2	 HG	 J		
2	4	4	4		
 L1	 O	 P5	 P4	 P7	 R3
1	1	8	2	10-15	4

ISM-KUH-01628

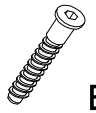
1

6.5x48x16  F2 4	+8x30mm  A 8
--	---



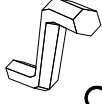
2

6,4 x 50mm



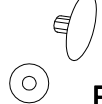
B

4



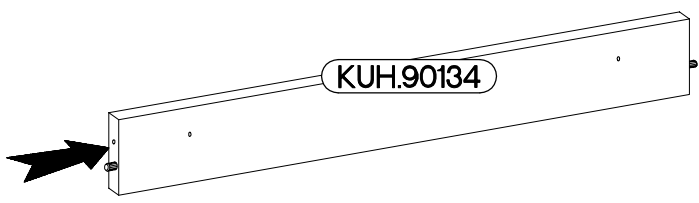
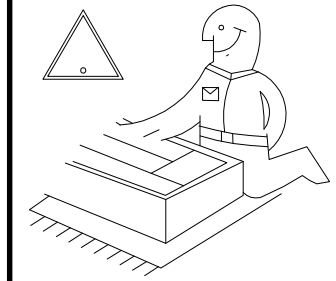
O

1

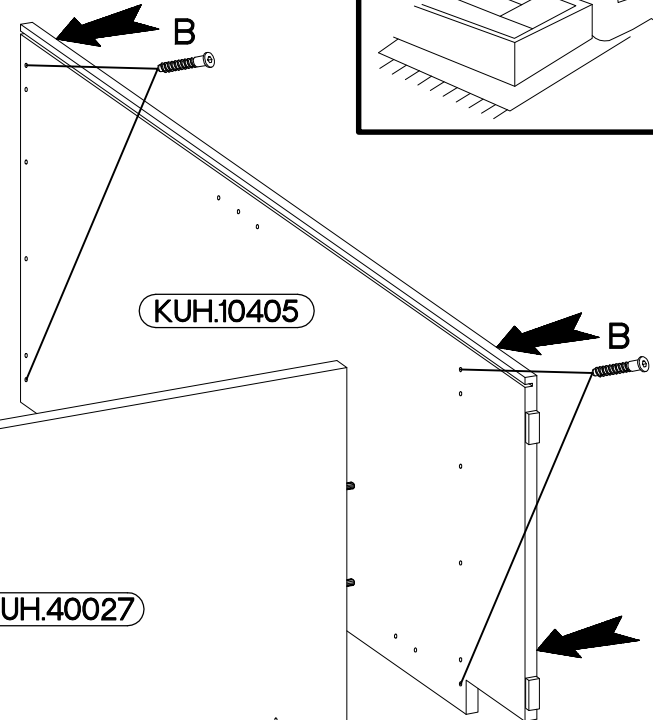


E1

4

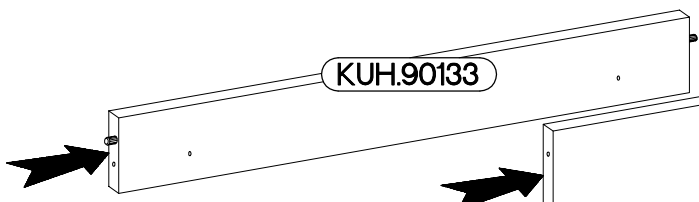


KUH.90134

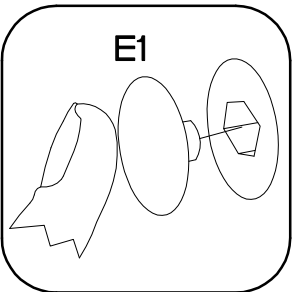


KUH.10405

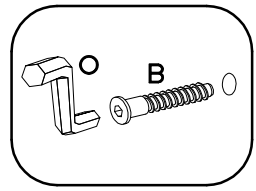
KUH.40027



KUH.90133

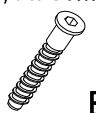


E1



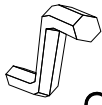
3

6,4 x 50mm



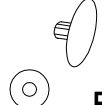
B

4



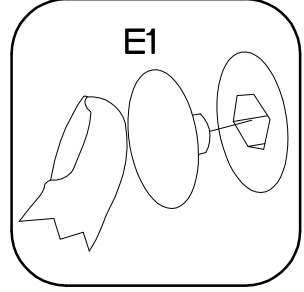
O

1

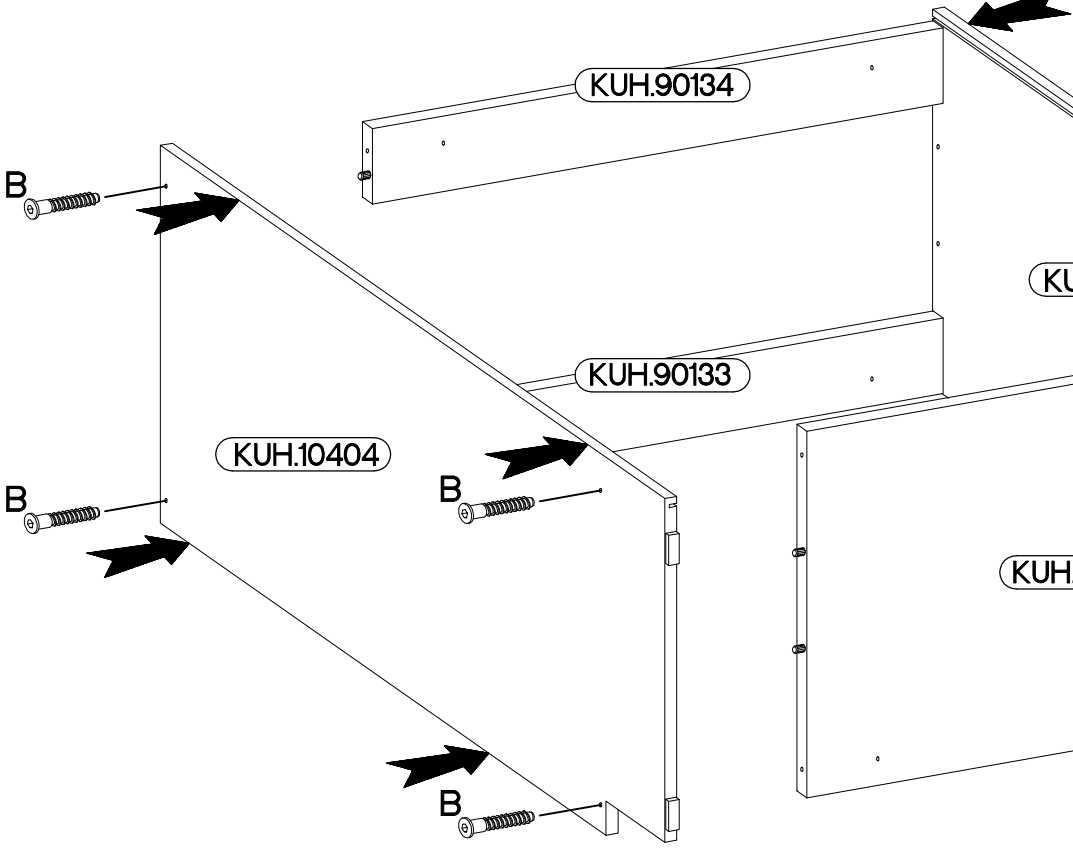
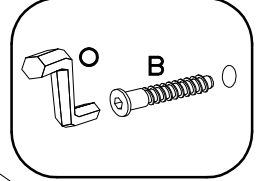


E1

4



E1



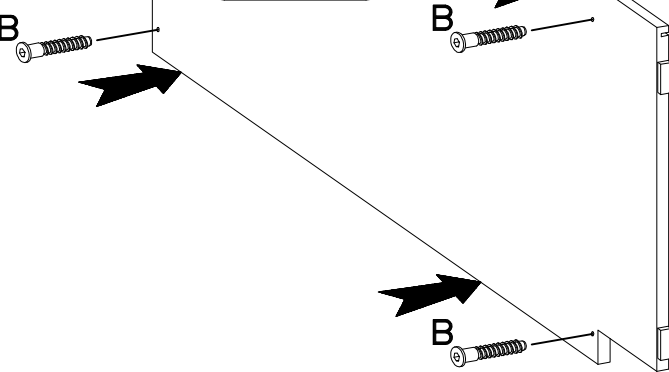
KUH.90134

KUH.10405



KUH.10404

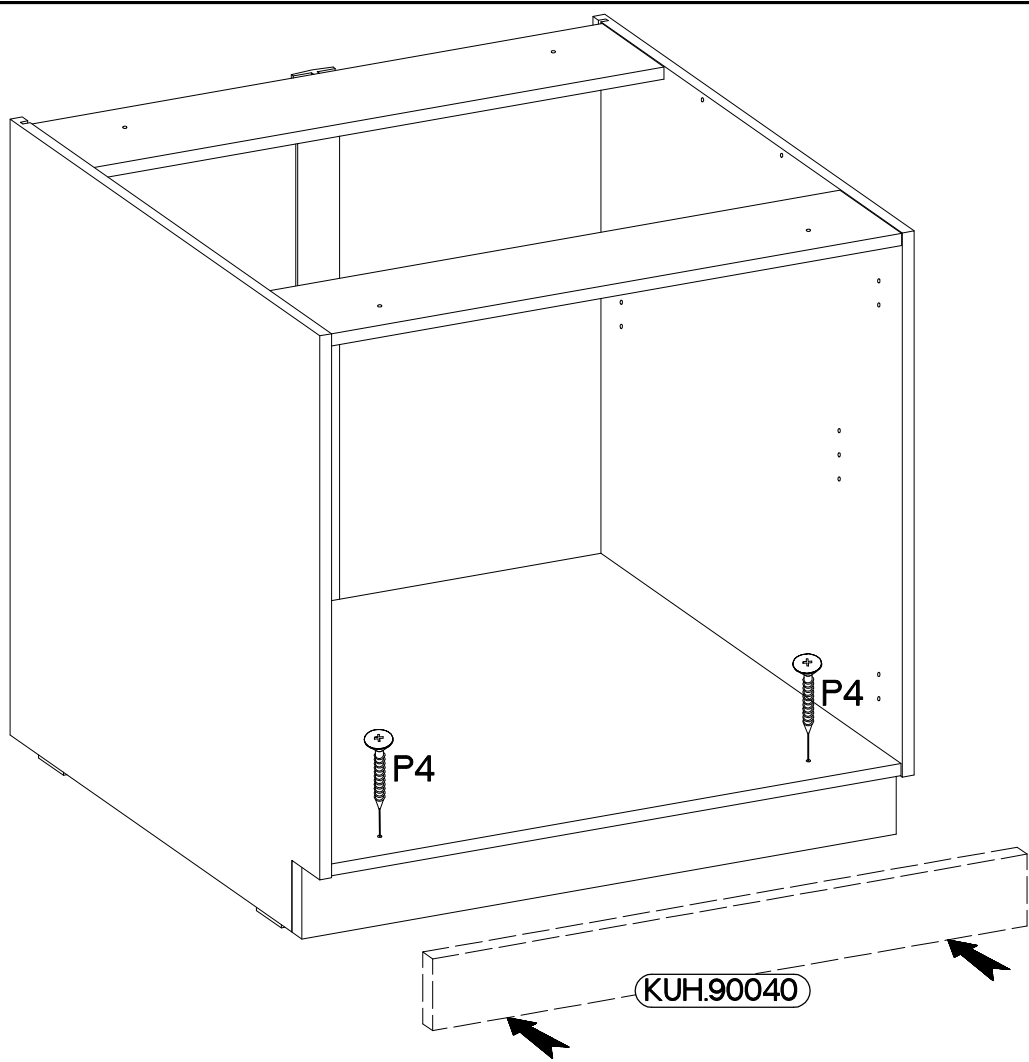
KUH.90133

KUH.40027




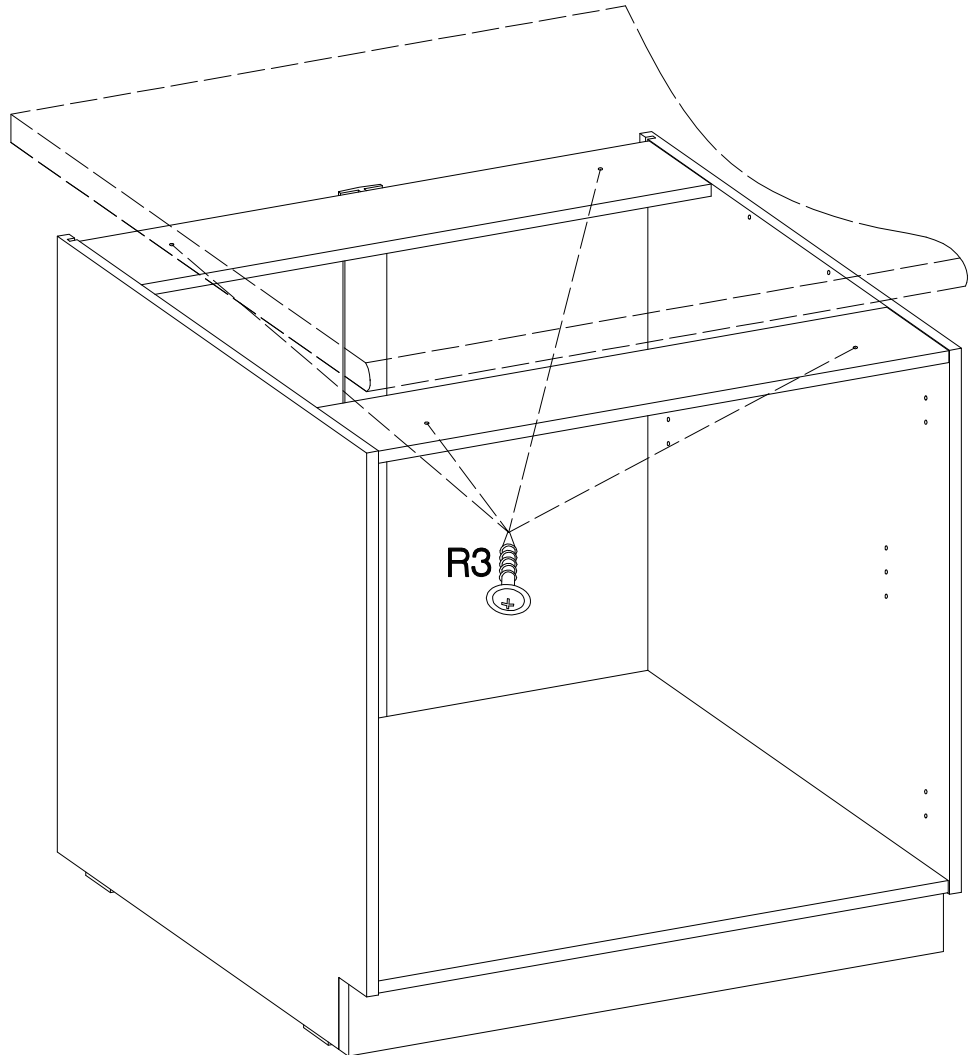
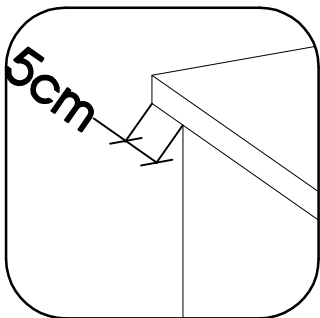
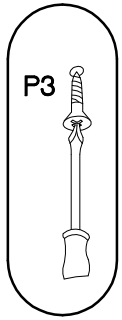
6

+4.0x45mm	
	
P4	E9
2	2



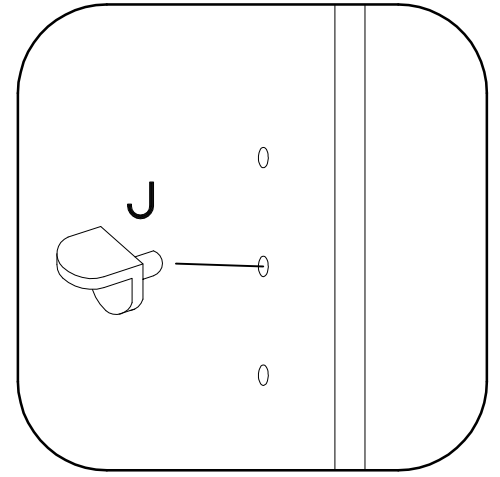
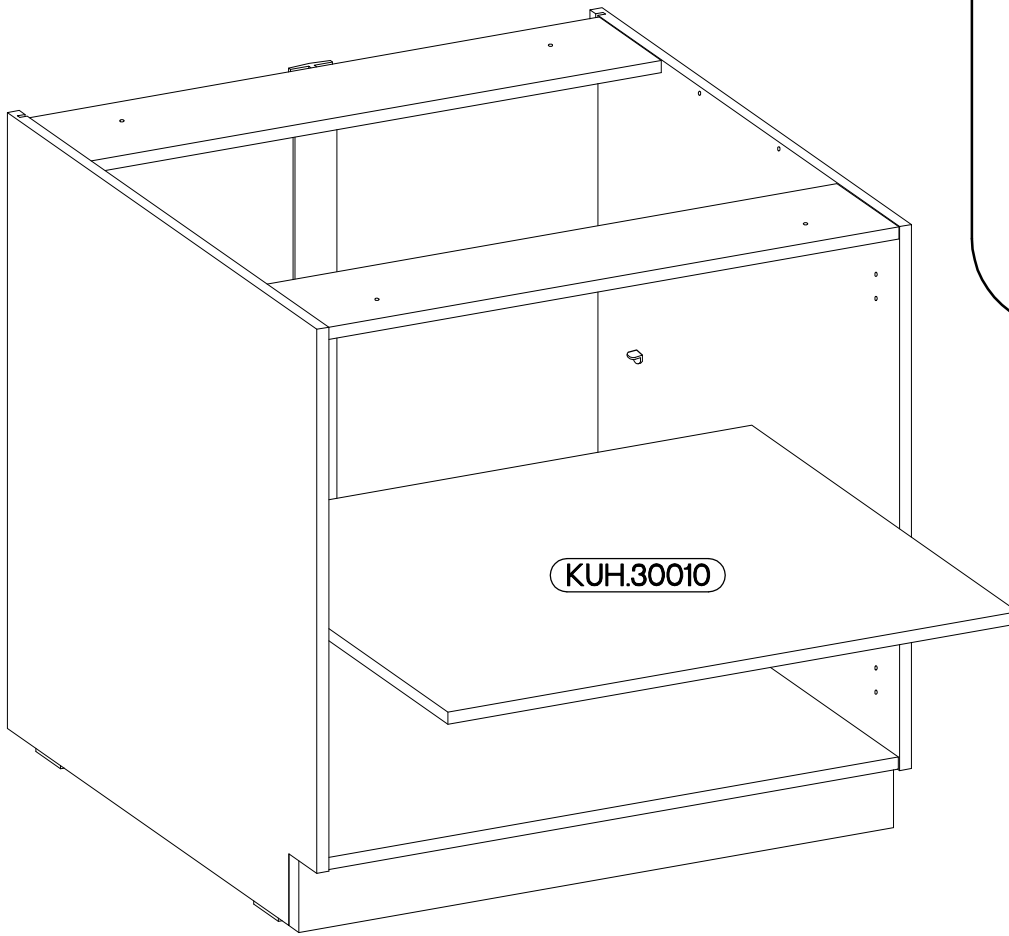
7

+4.0x35mm	
	R3
4	



8

±5/19mm
J
4



9

FRONT

