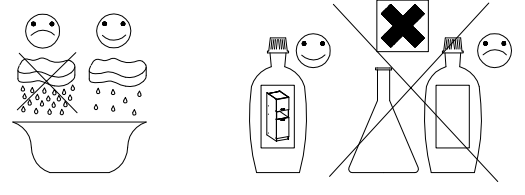
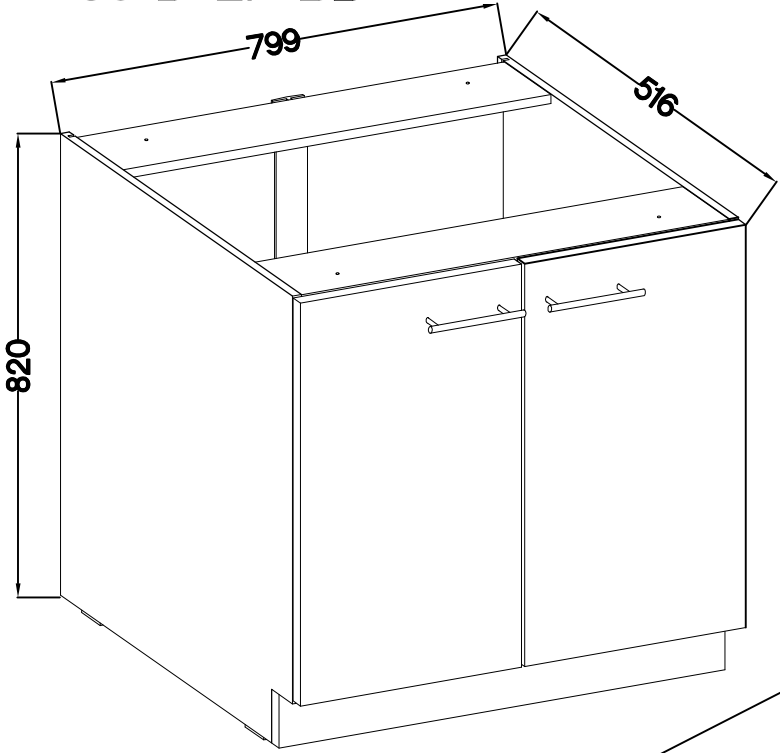


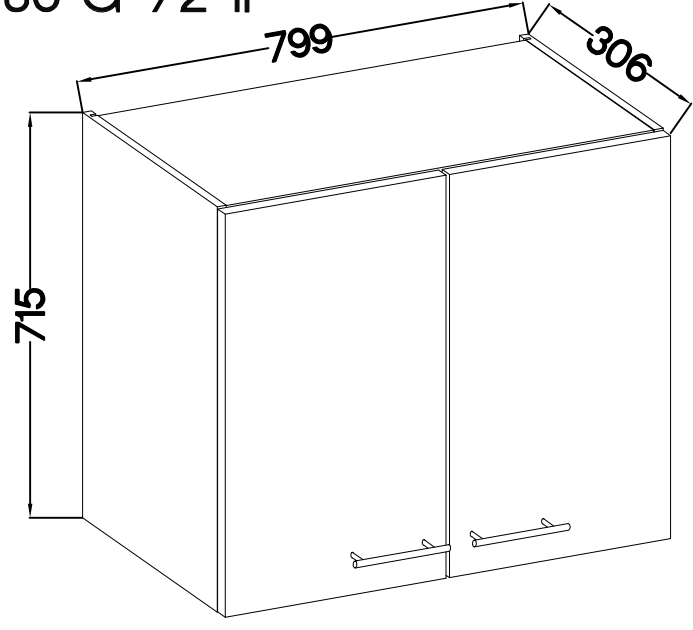
80 D 2F BB
80 ZL 2F BB
80 G-72 1F
FRONT



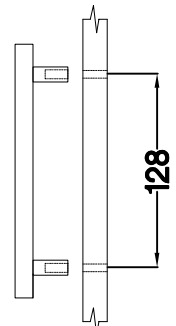
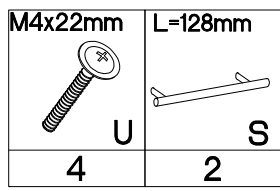
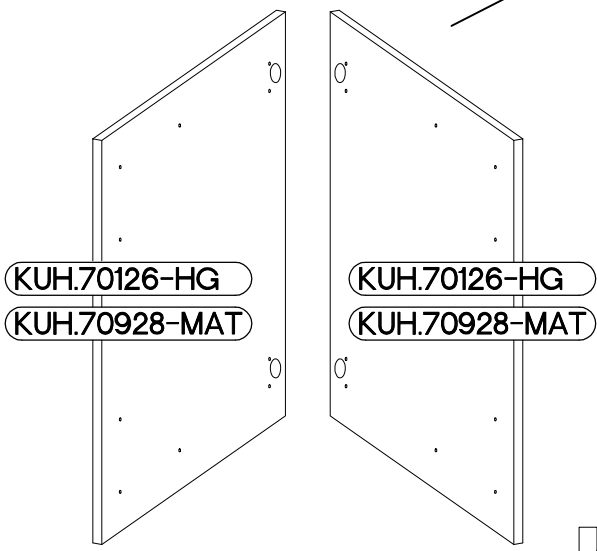
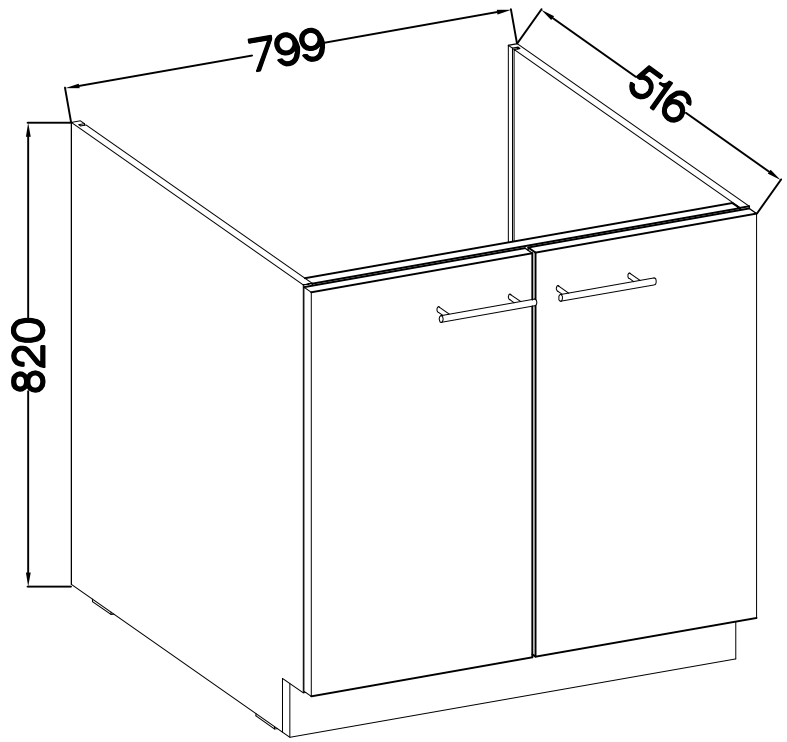
80 D 2F BB



80 G-72 1F

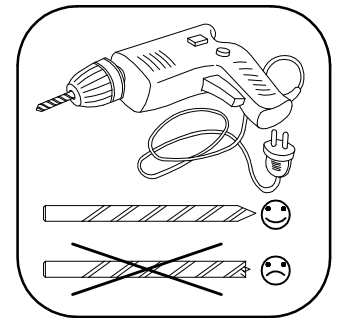
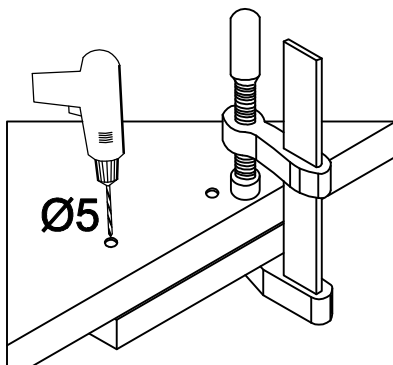
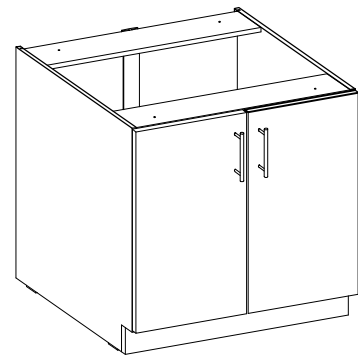
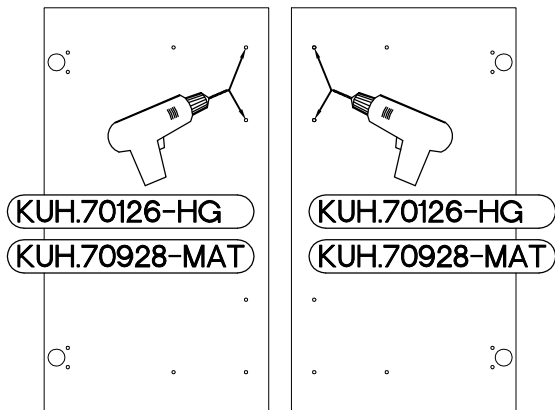
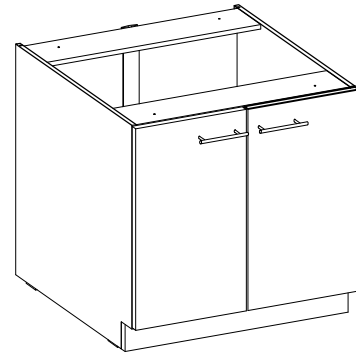
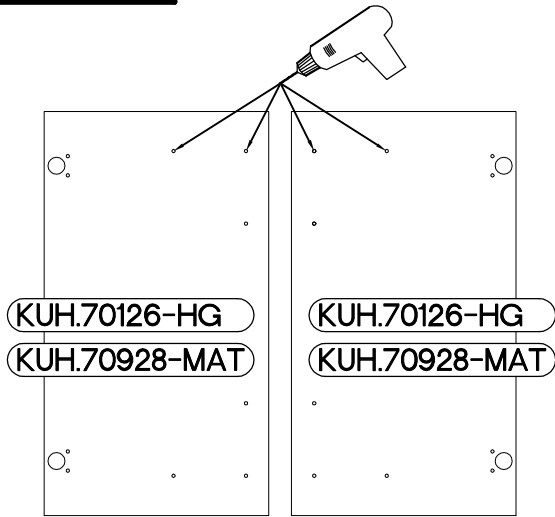


80 ZL 2F BB



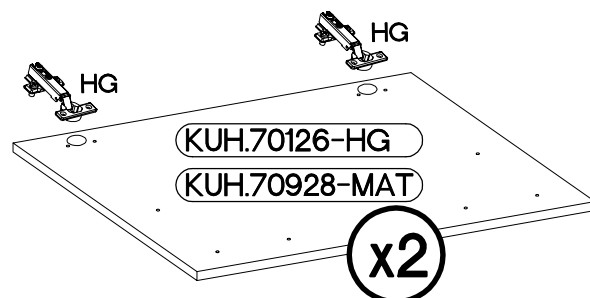
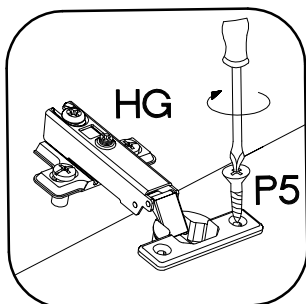
ISM-KUH-01654

1 80 D 2F BB





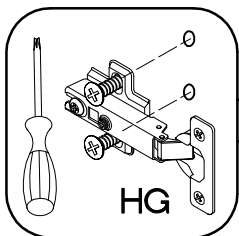
2

±35/0mm [CD] HG 4	±3.5x13mm P5 8
-------------------------	----------------------

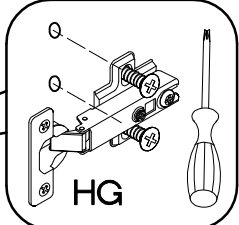
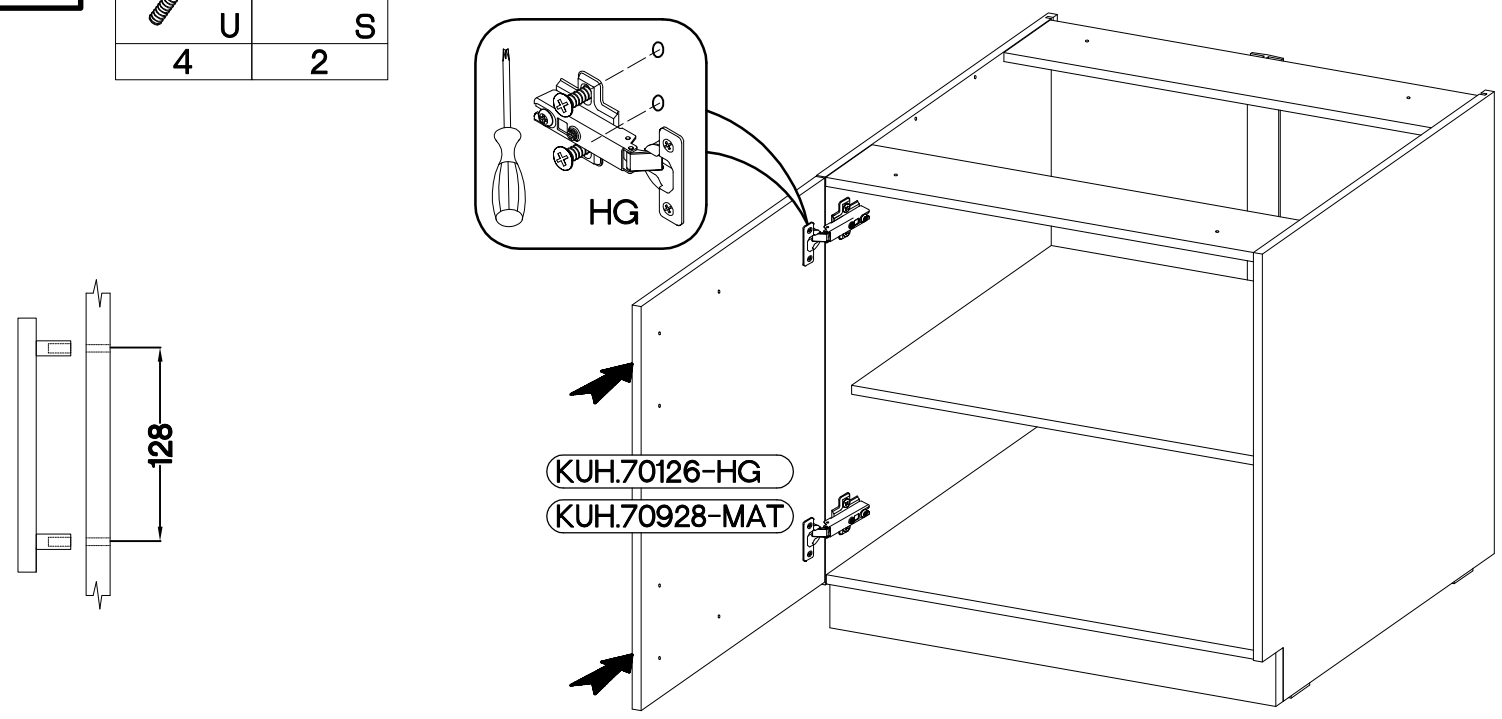
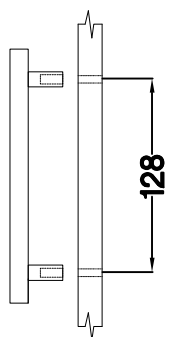


3

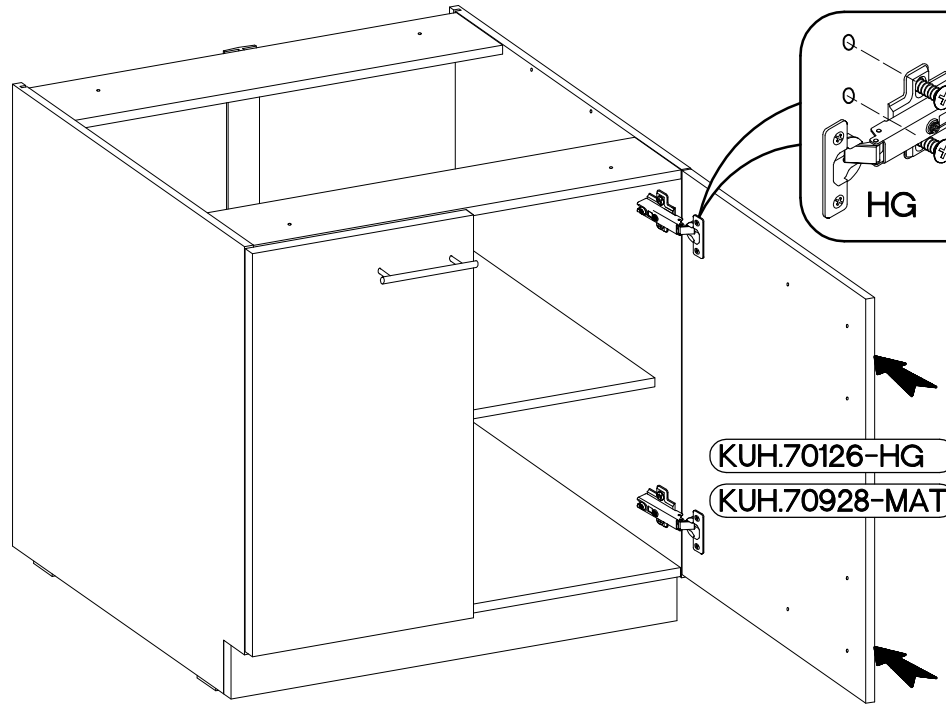
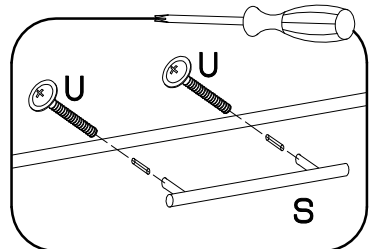
M4x22mm	L=128mm
	
U	S
4	2



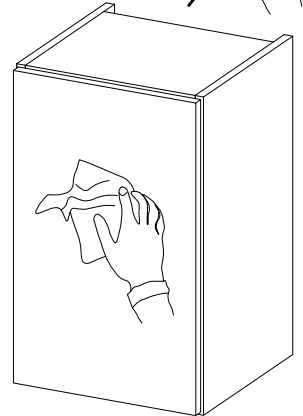
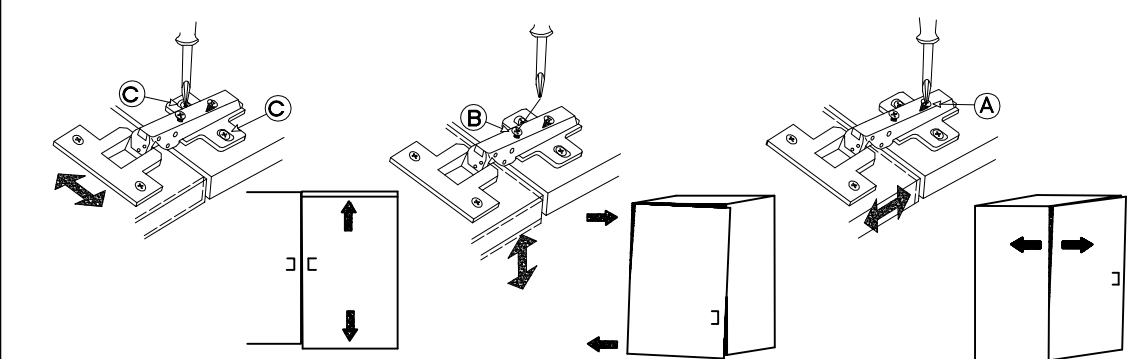
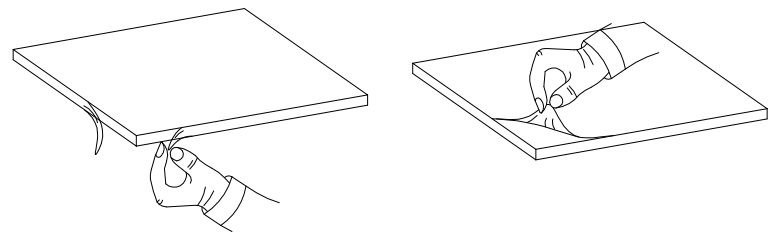
KUH.70126-HG
KUH.70928-MAT



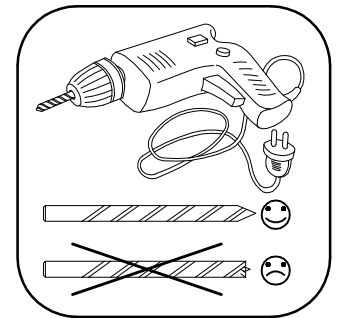
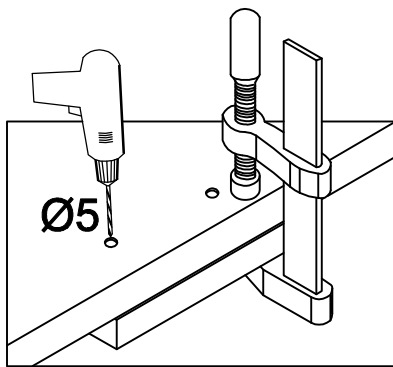
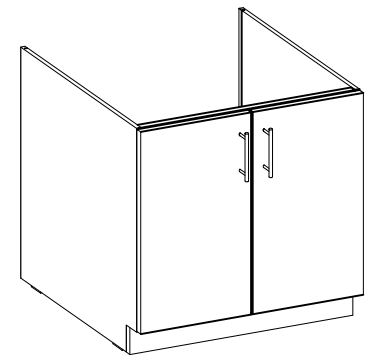
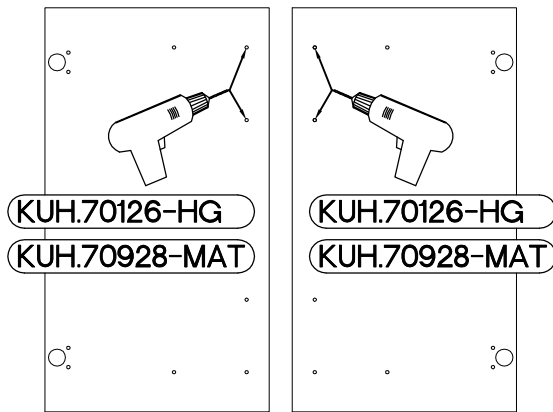
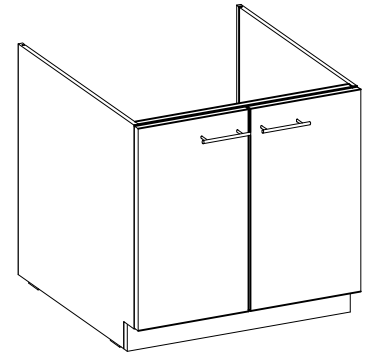
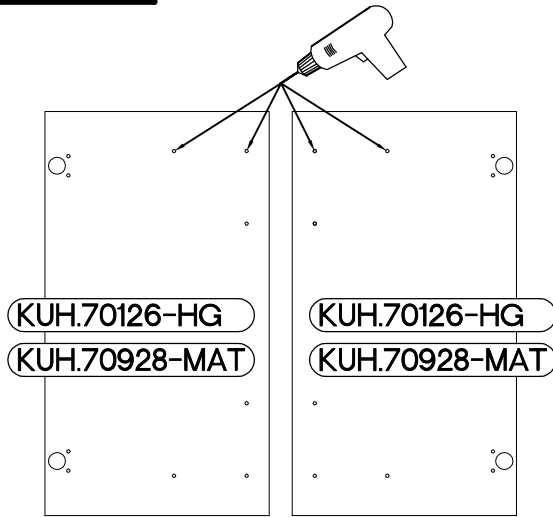
KUH.70126-HG
KUH.70928-MAT





VARIANT HIGH GLOSS

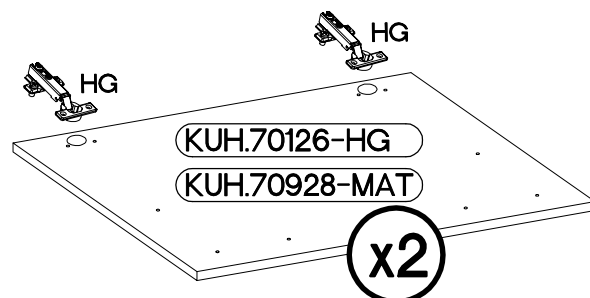
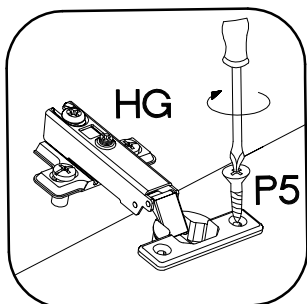


4 80 D ZL BB





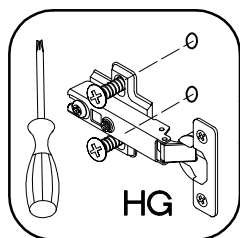
5

$\pm 35/0\text{mm}$  [CD] HG 4	$\pm 3.5 \times 13\text{mm}$  P5 8
--	--

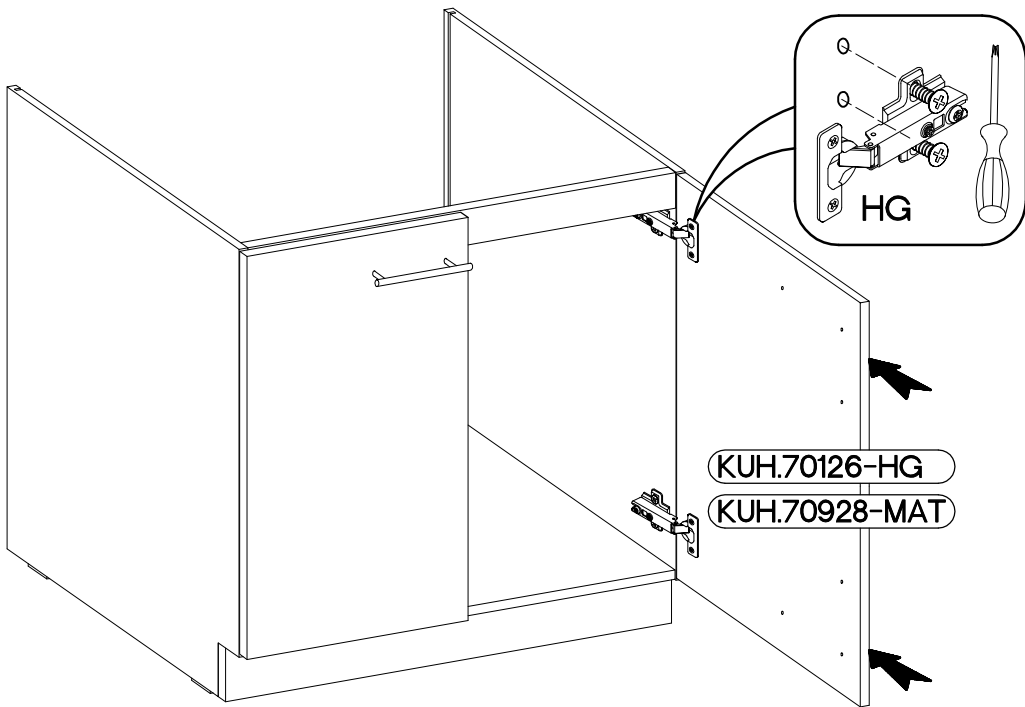
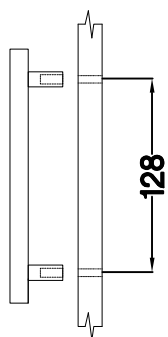


6

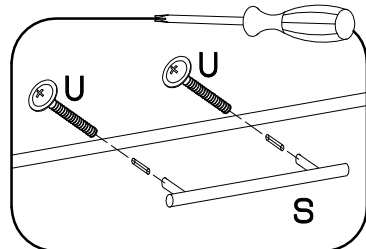
M4x22mm	L=128mm
	
U	S
4	2



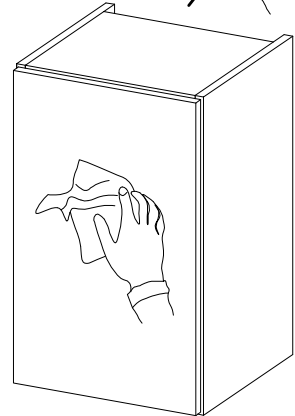
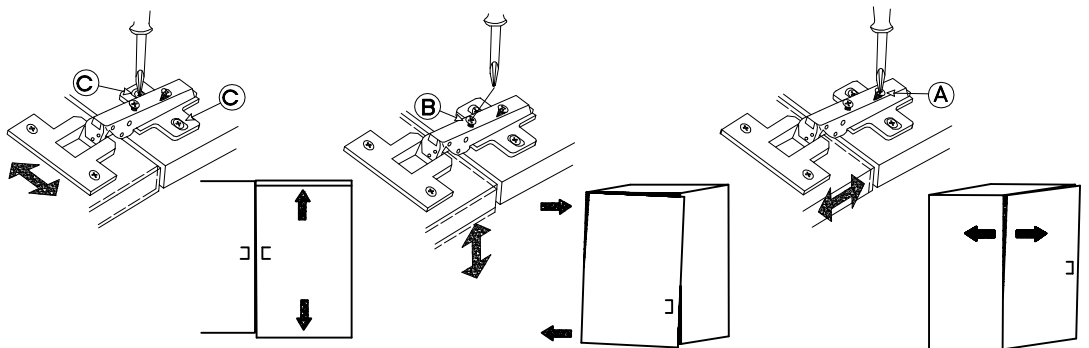
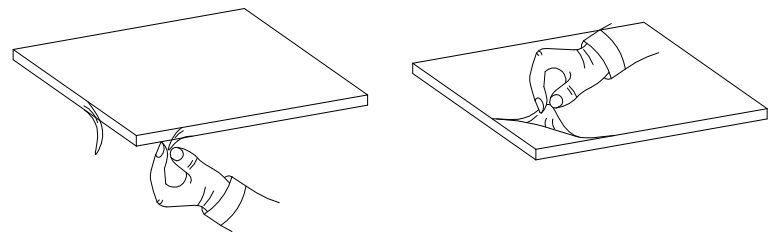
KUH.70126-HG
KUH.70928-MAT



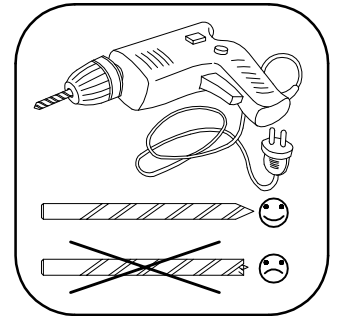
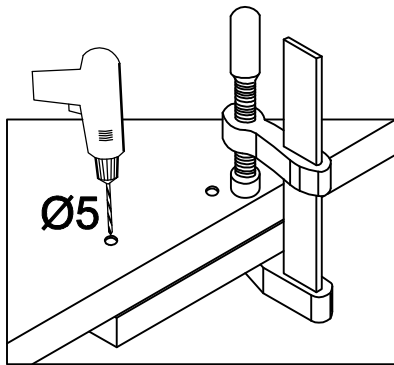
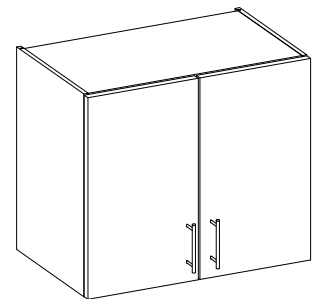
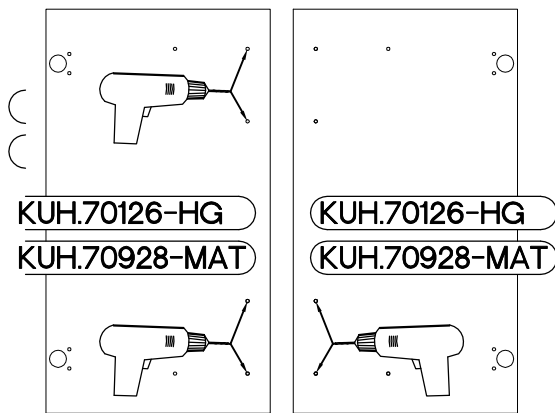
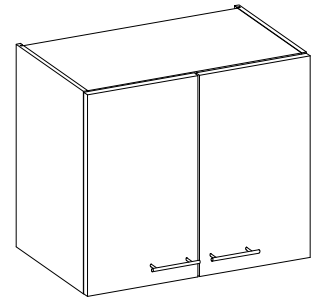
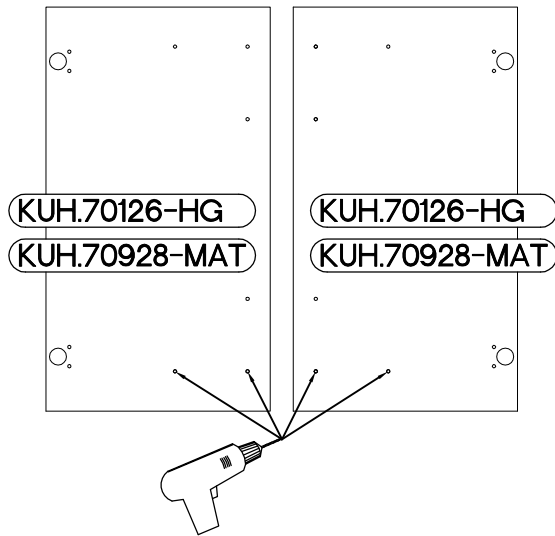
KUH.70126-HG
KUH.70928-MAT



VARIANT HIGH GLOSS

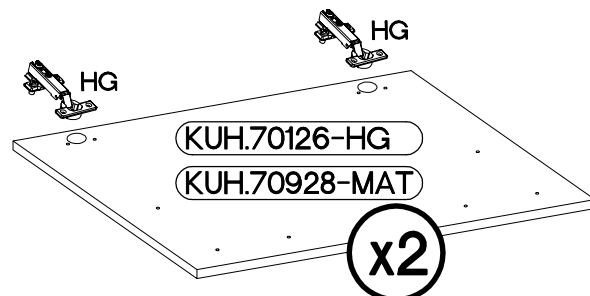
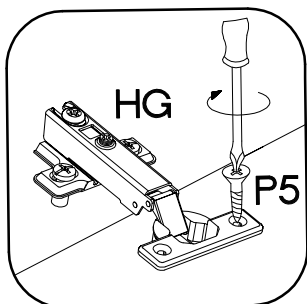


7 80 G-72 1F





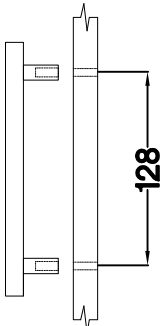
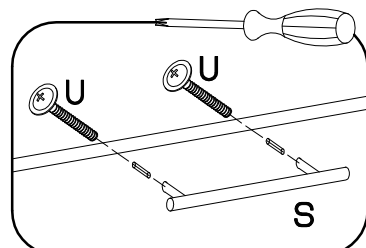
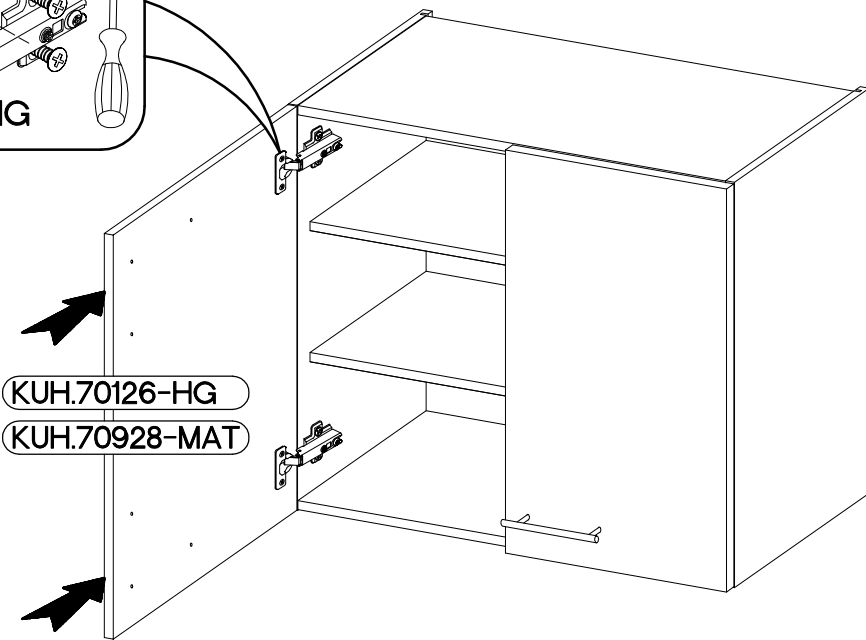
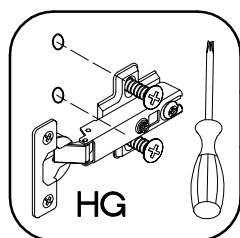
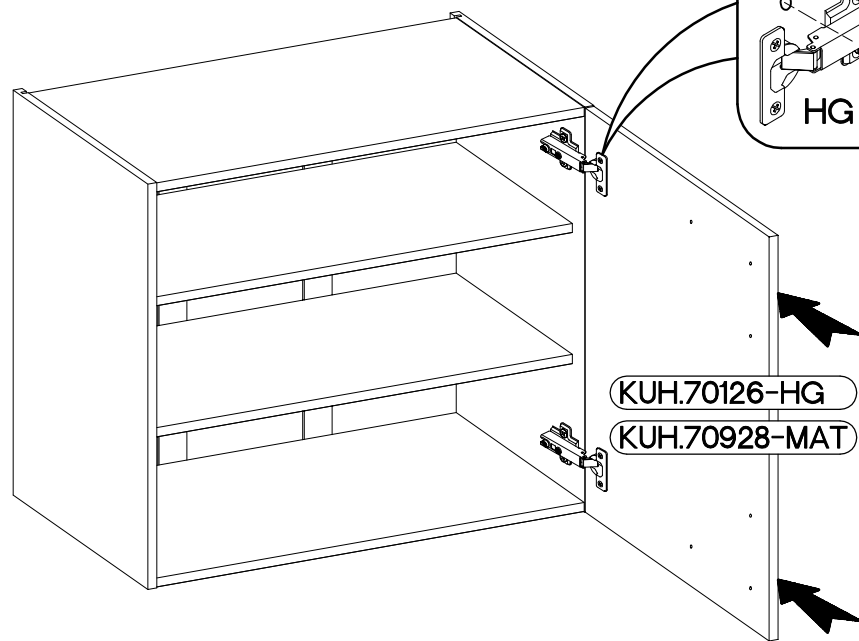
8

±35/0mm [CD] HG 4	±3.5x13mm P5 8
-------------------------	----------------------



9

M4x22mm	L=128mm
	
U	S
4	2



VARIANT HIGH GLOSS

