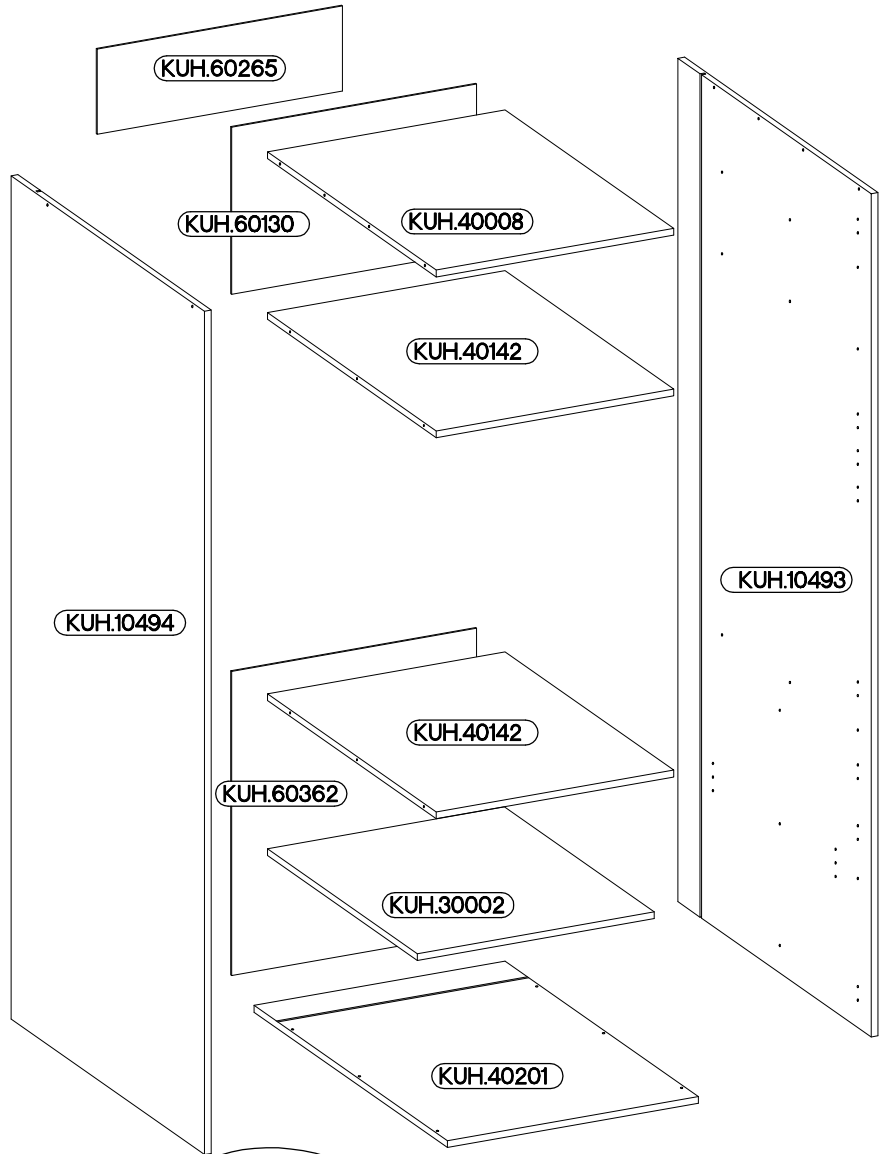
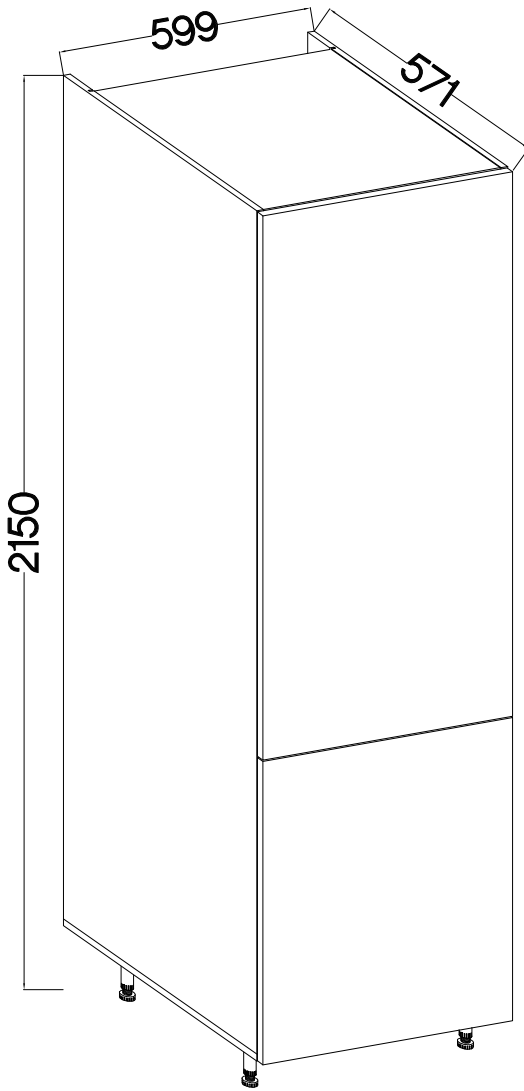
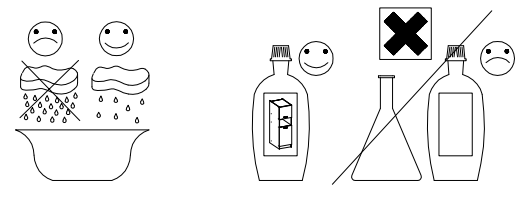


60 LO-2150



$\pm 8 \times 30 \text{mm}$	$6,4 \times 50 \text{mm}$	$\pm 15/12 \text{mm}$	$L=20 \text{mm}$
A	B	C	D2
4	10	12	12

			$L=135-170 \text{cm}$	$\pm 35/0 \text{mm}$
E	E1	F16	F15	HG
12	4	2	4	5

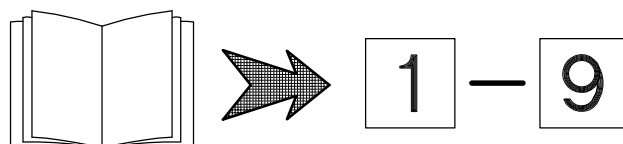
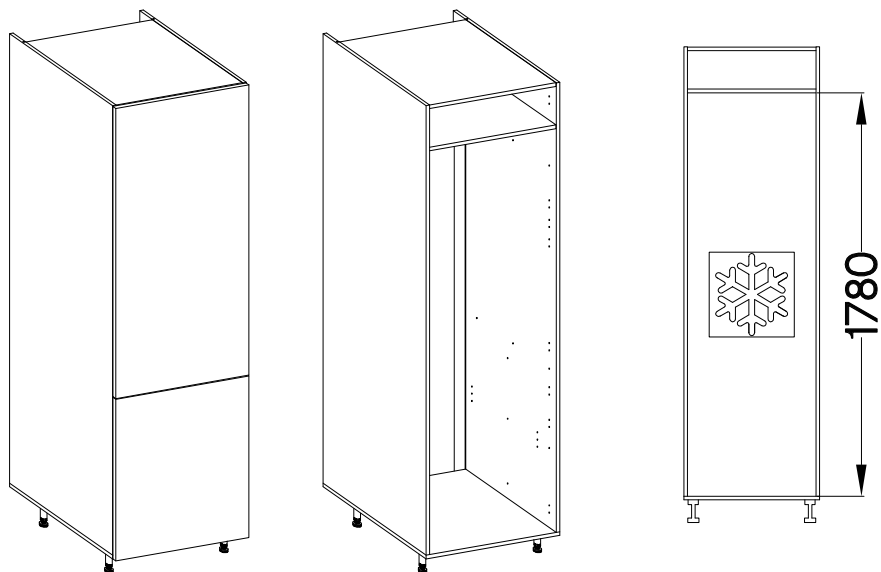
	$120 \times 30 \times 15 \text{mm}$		$\pm 4,0 \times 16 \text{mm}$	$\pm 3,5 \times 13 \text{mm}$	$\pm 3,0 \times 20 \text{mm}$	
J	L25	O	P1	P5	P7	T4
4	1	1	16	32	14-16	4



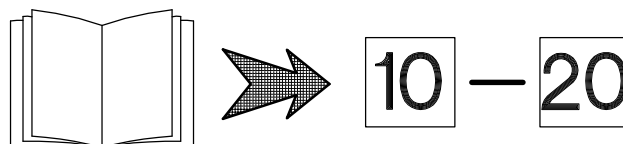
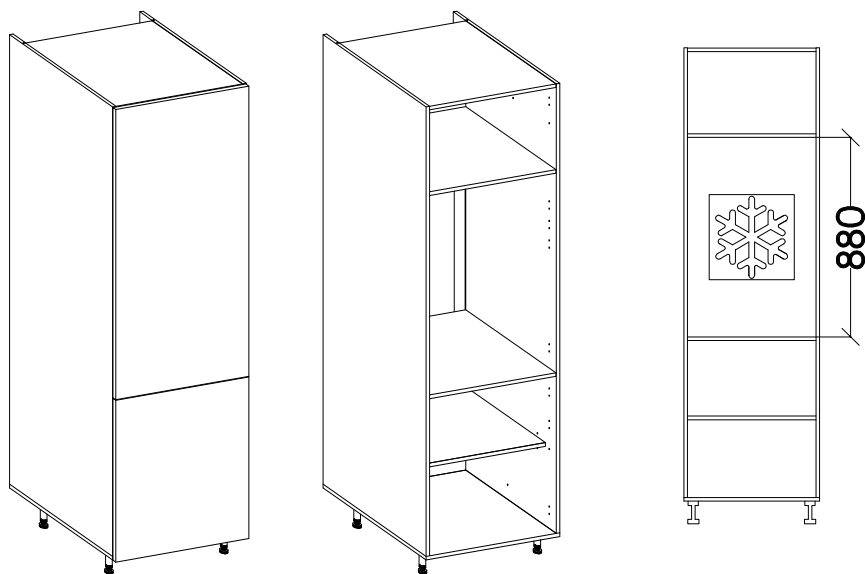
Ersatzteil Nummer	Dimension
KUH.10493	1983x555x16
KUH.10494	1983x555x16
KUH.30002	566x430x16
KUH.40201	599x555x16
KUH.40008	567x485x16
KUH.40142 x2	567x485x16
KUH.60130	393x585x2,5
KUH.60362	715x585x2,5
KUH.60265	200x585x2,5

ISM-KUH-01798

WARIANT A

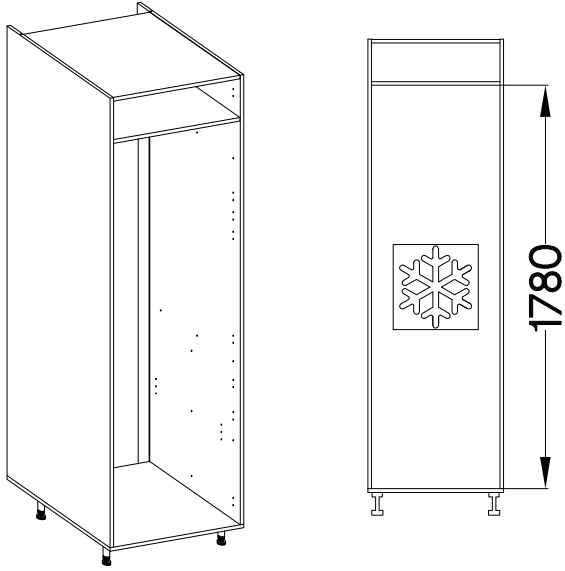


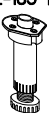

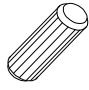

WARIANT B

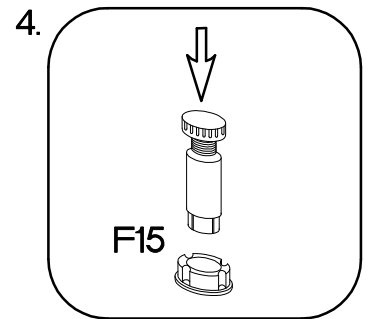
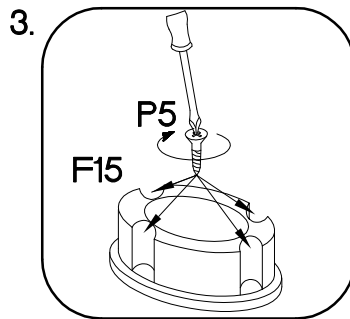
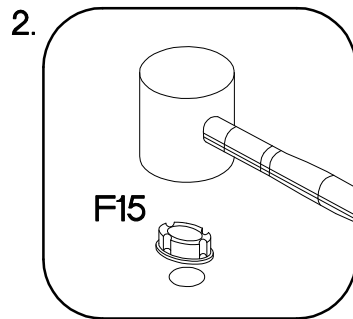
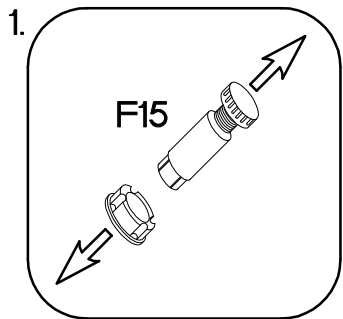
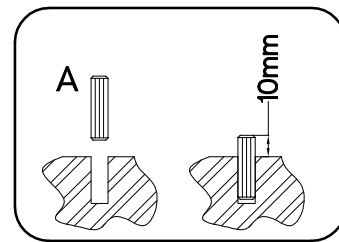
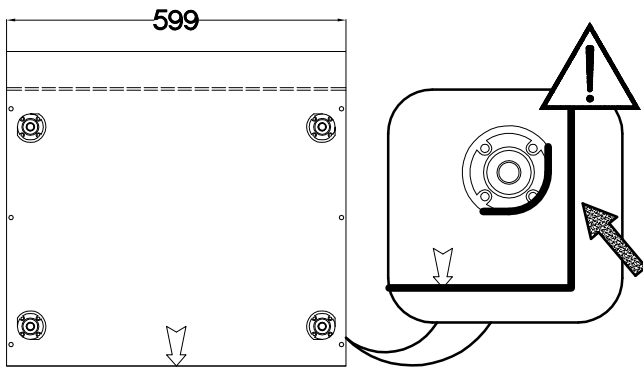
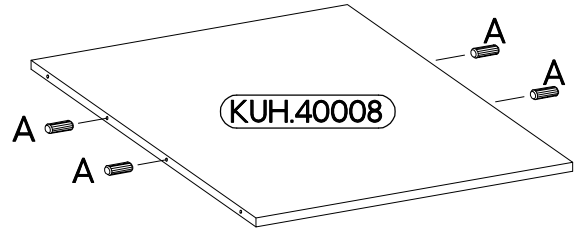
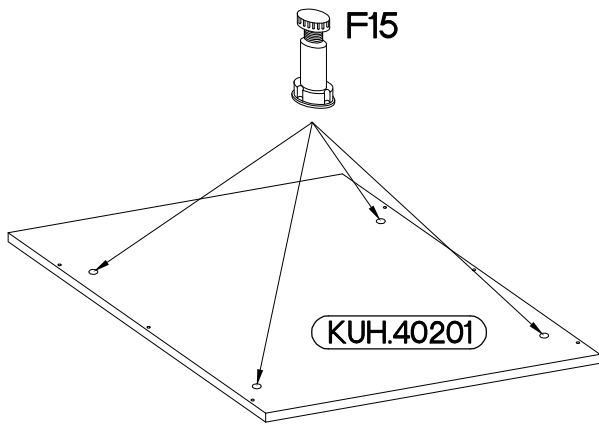
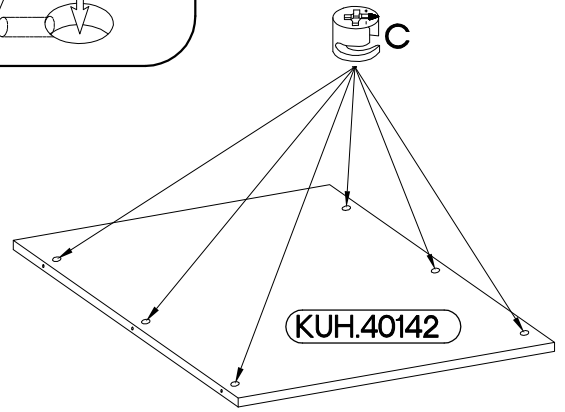
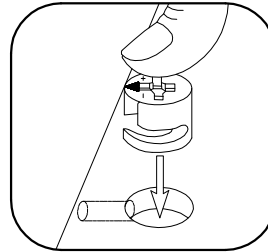
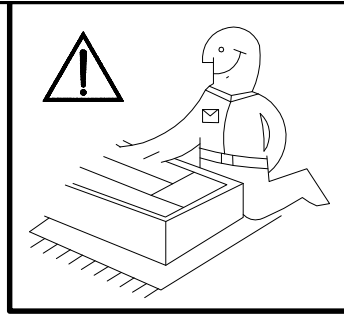


1

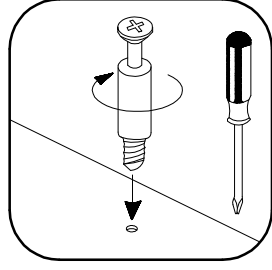
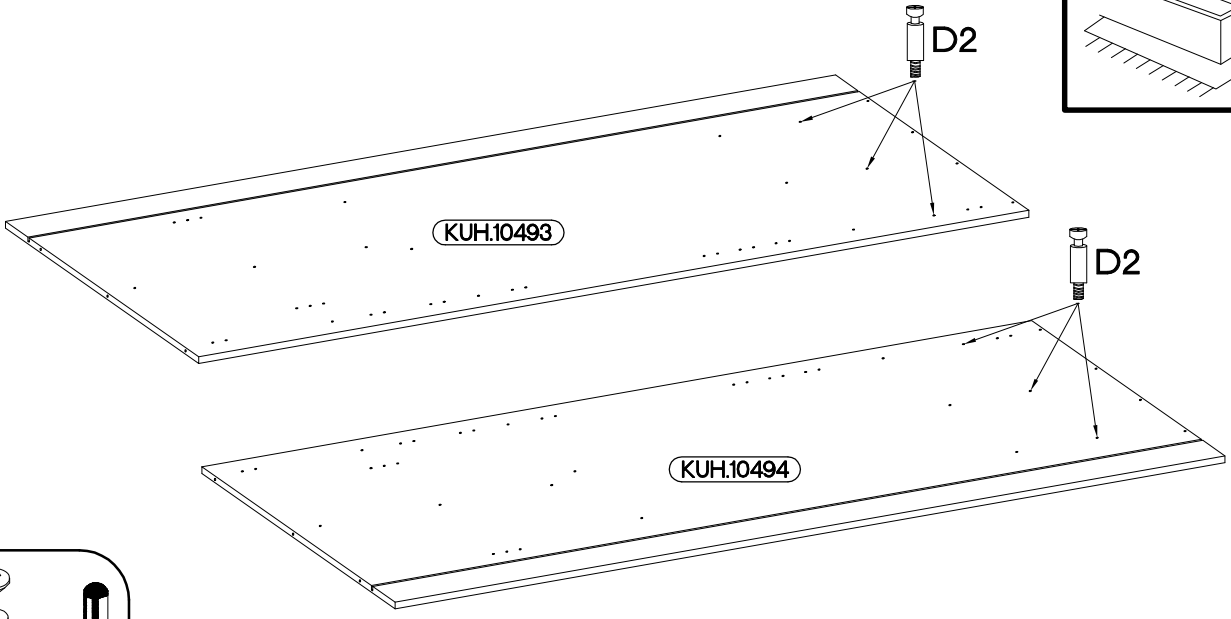
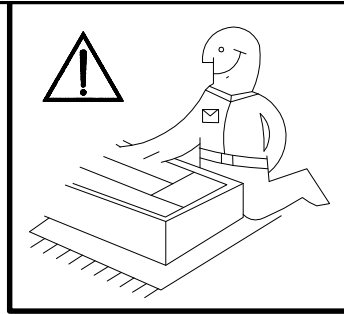
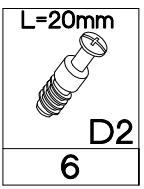
WARIANT A



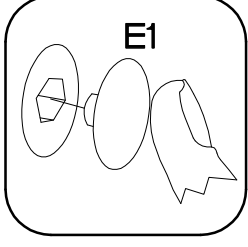
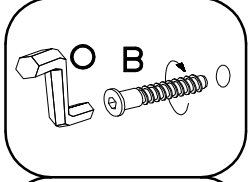
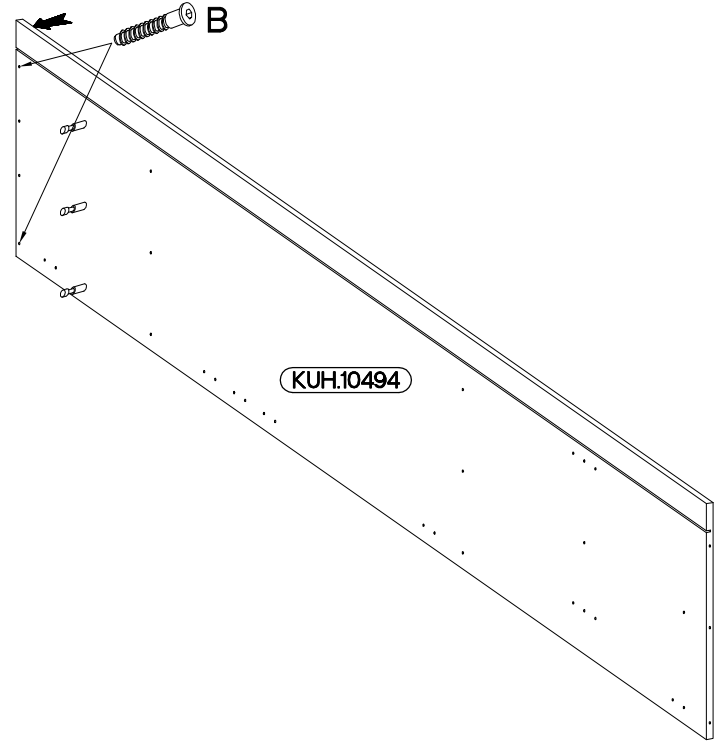
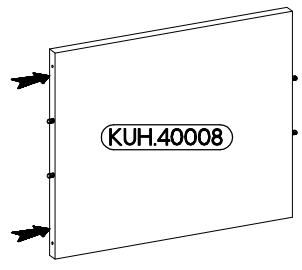
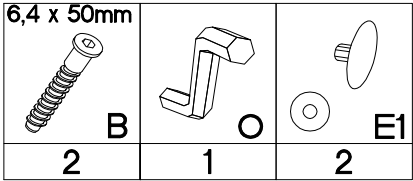
L-135-170cm  F15	±3.5x13mm  P5
4 ±8x30mm  A	16 ±15/12mm  C
4	6



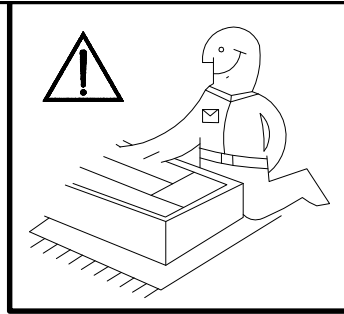
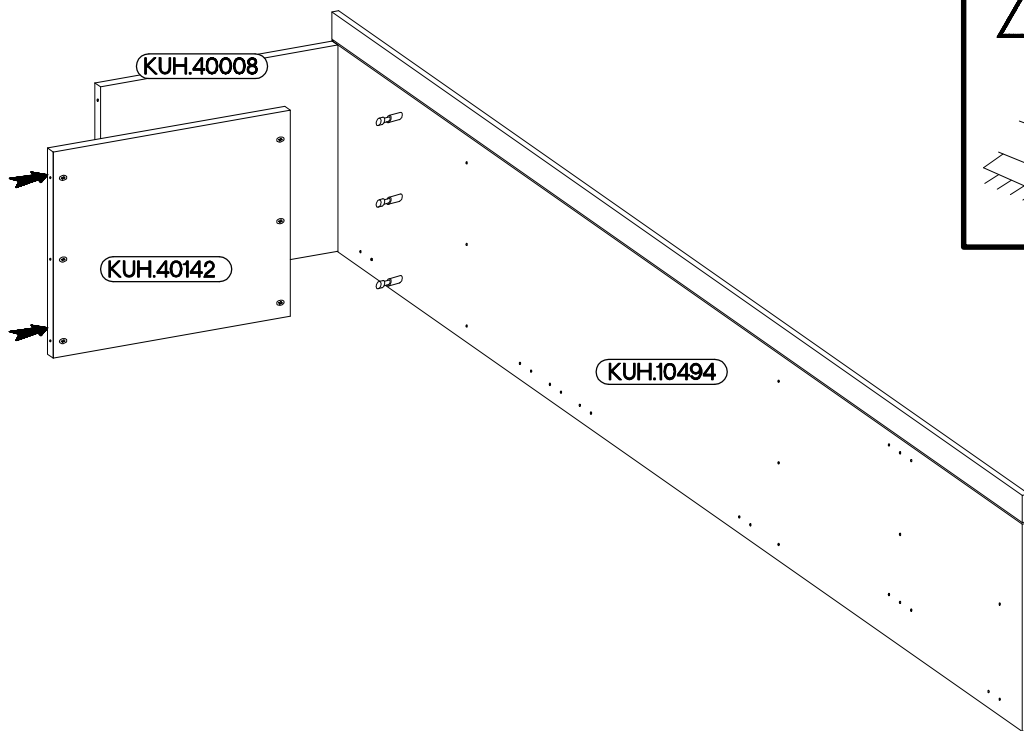
2



3


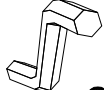
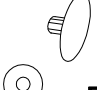



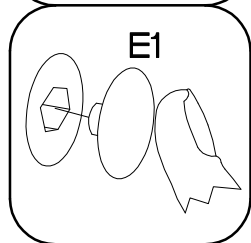
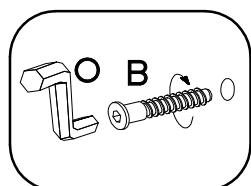
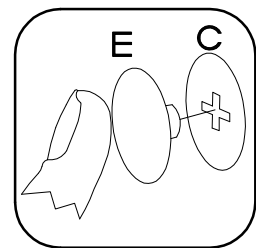
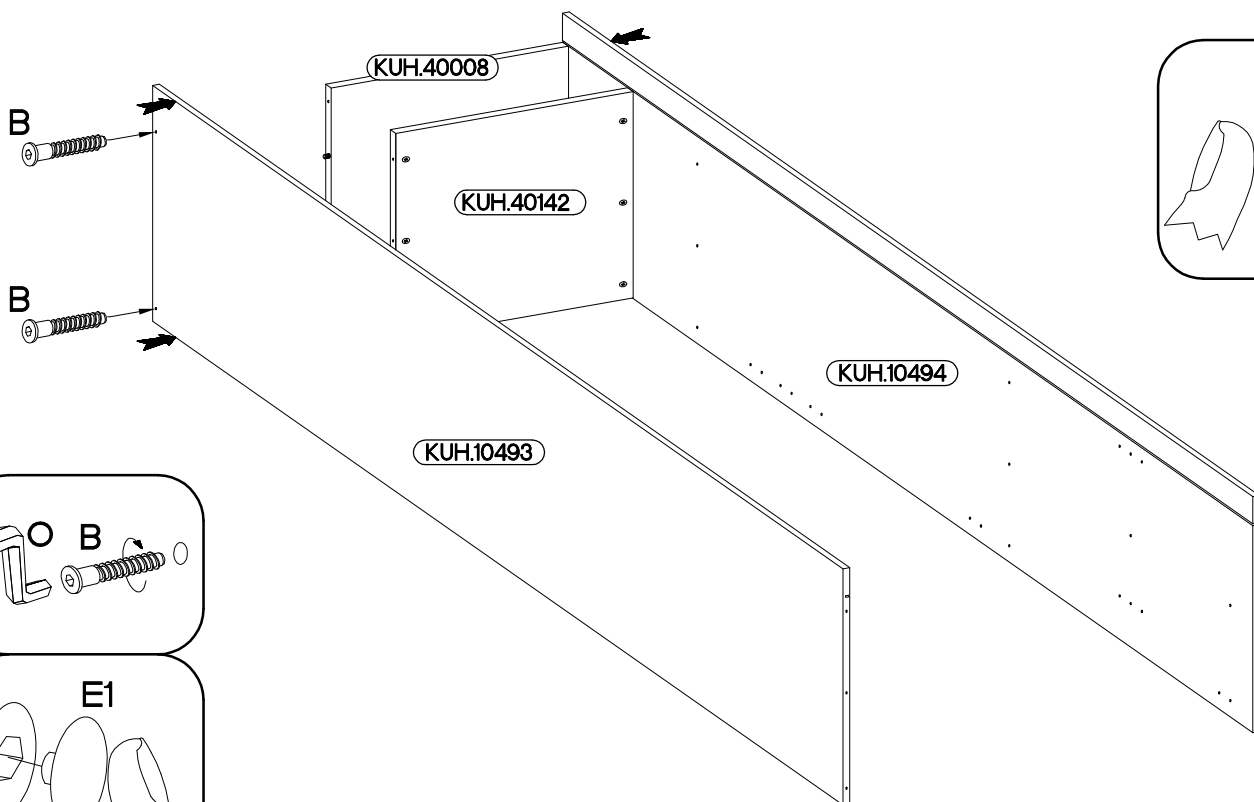
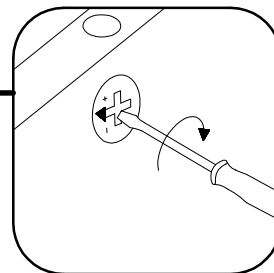
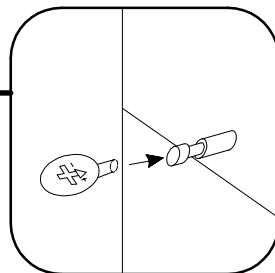
4



5

6,4 x 50mm

			
B	O	E1	E
2	1	2	6



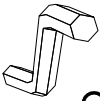
6

6,4 x 50mm



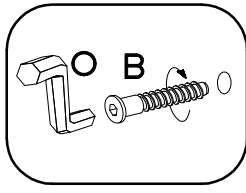
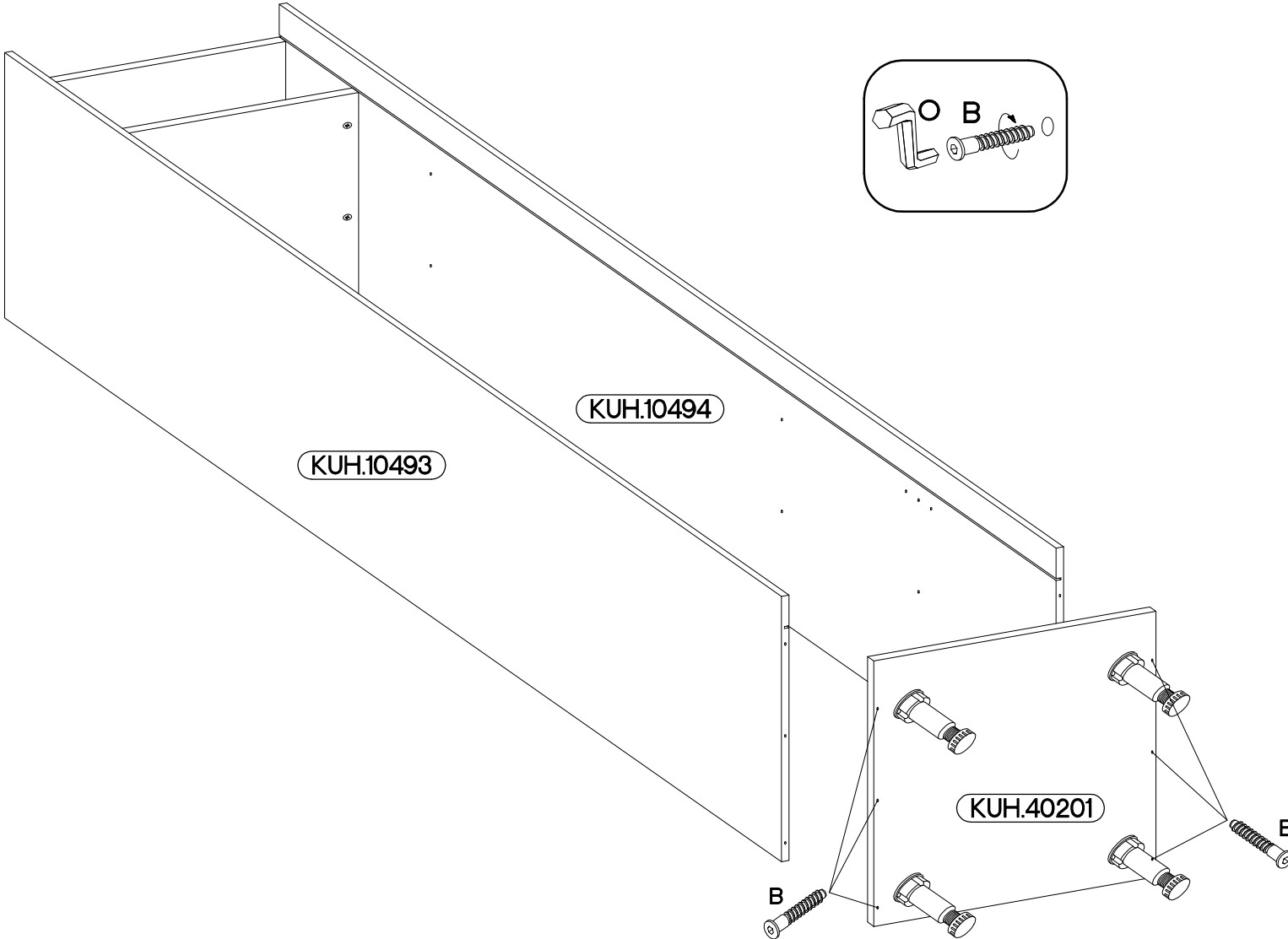
B

6



O

1



KUH.10494

KUH.10493

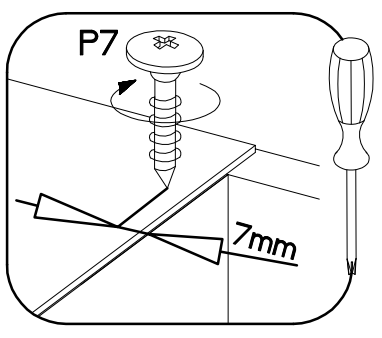
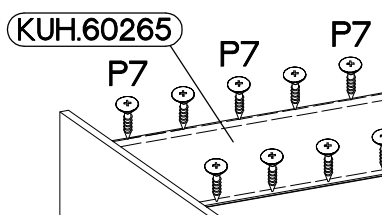
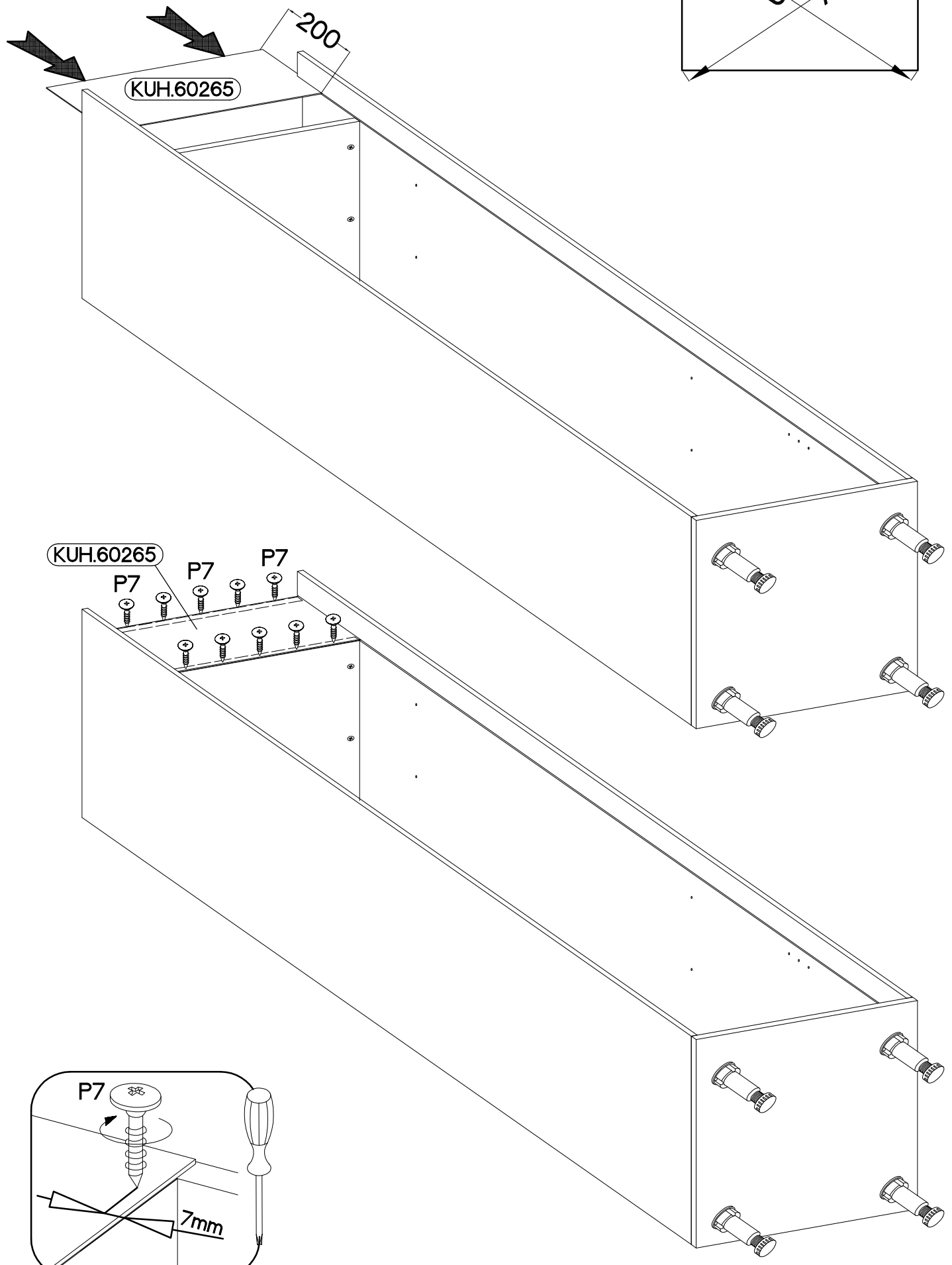
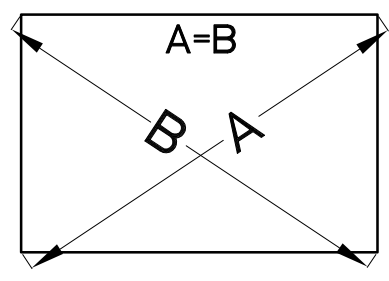
KUH.40201

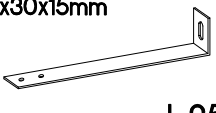


B

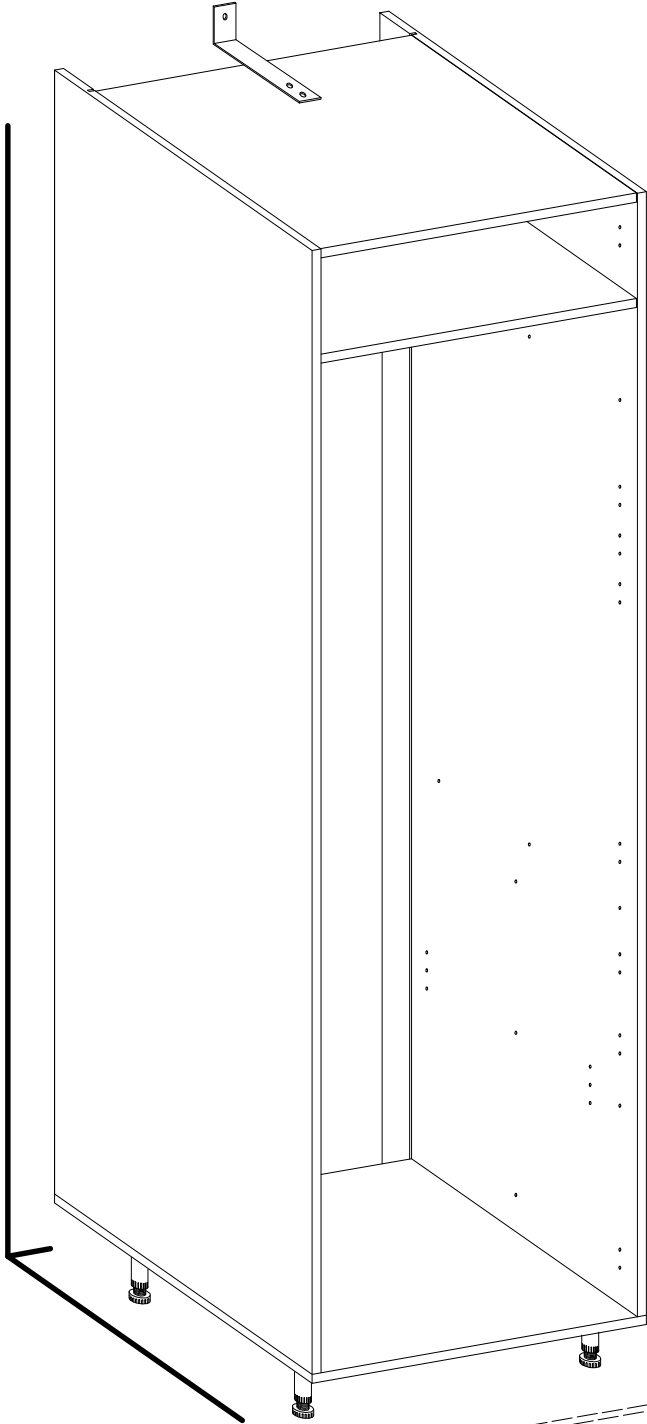
B

7

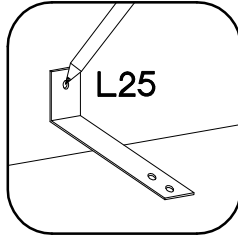
Ø3.0x20mm
P7
8-10



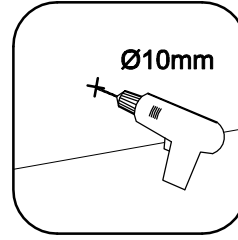
120x30x15mm  L25	±3.5x13mm  P5	 F16
1	6	2



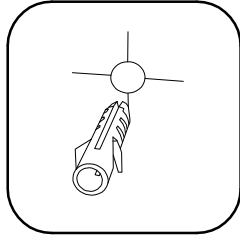
1.



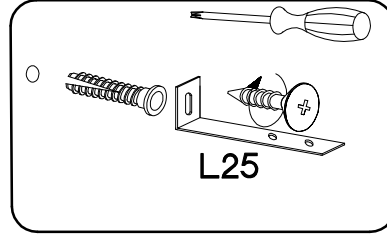
2.



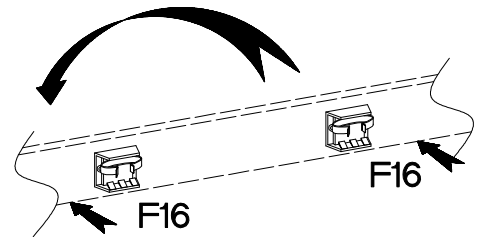
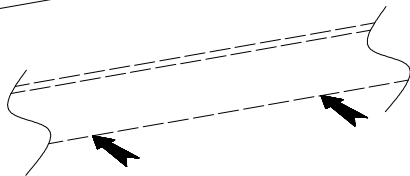
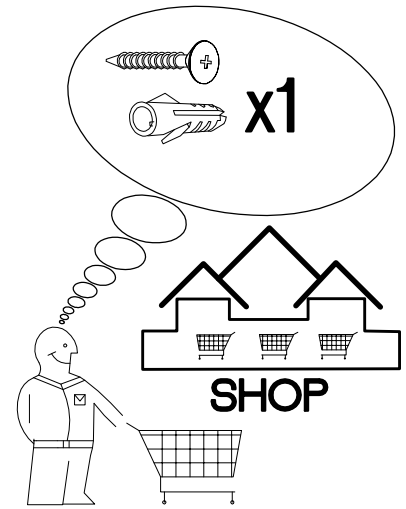
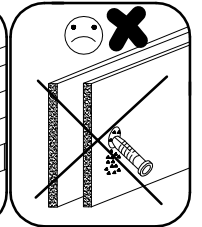
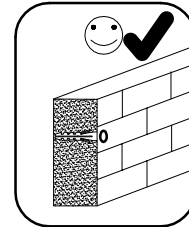
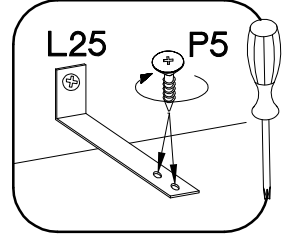
3.



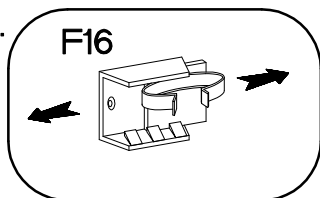
4.



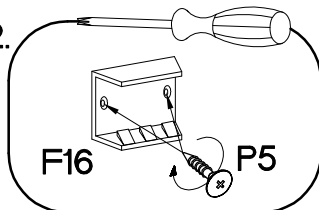
5.



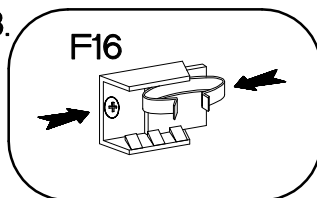
1.



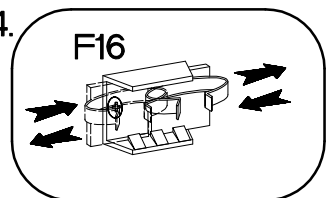
2.



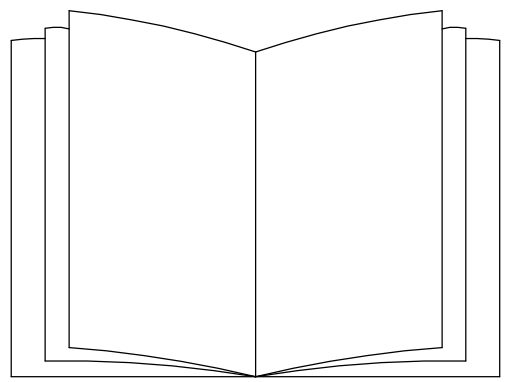
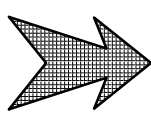
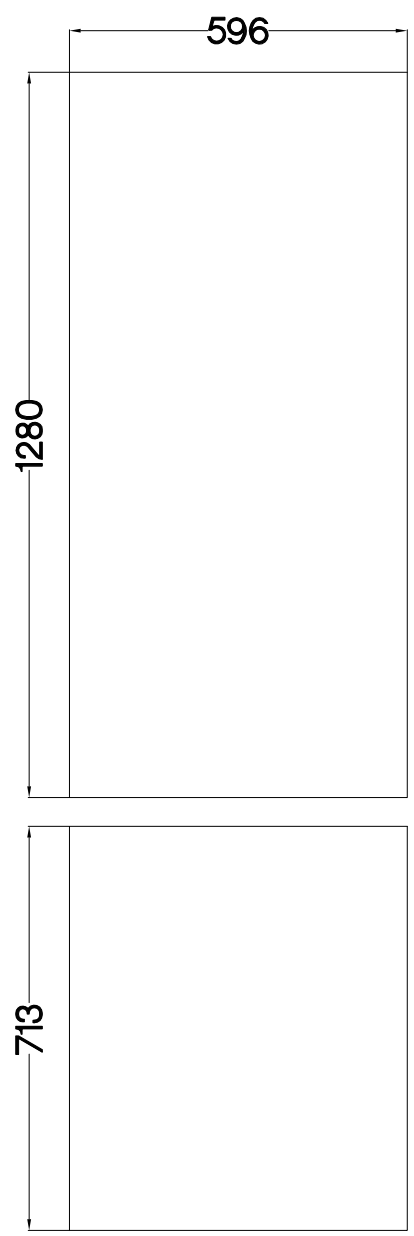
3.



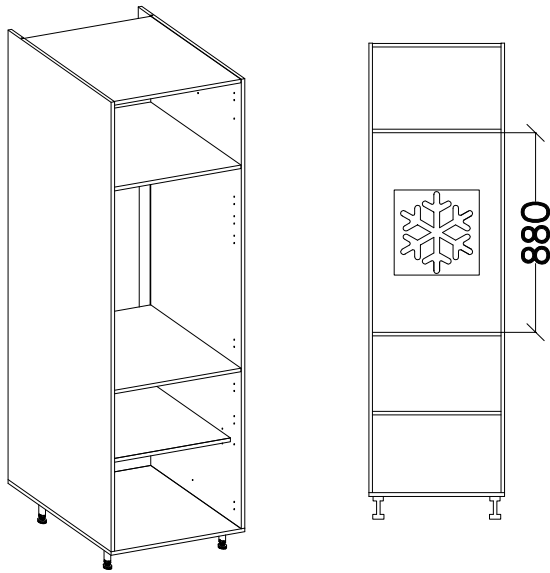
4.



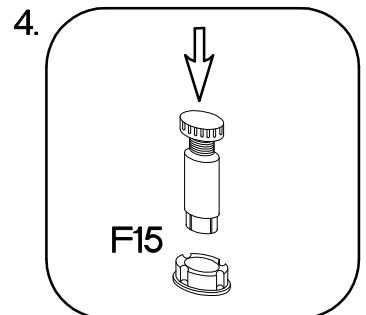
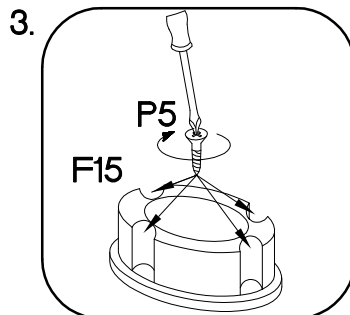
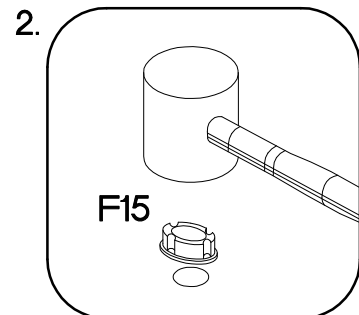
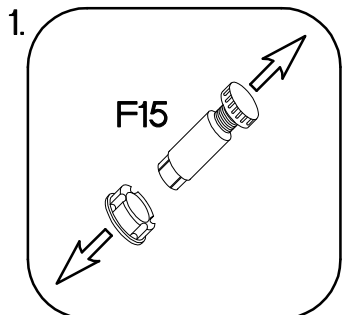
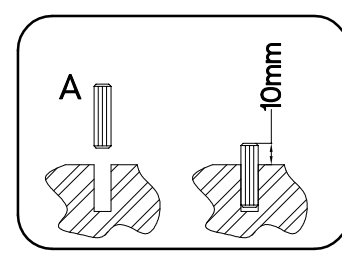
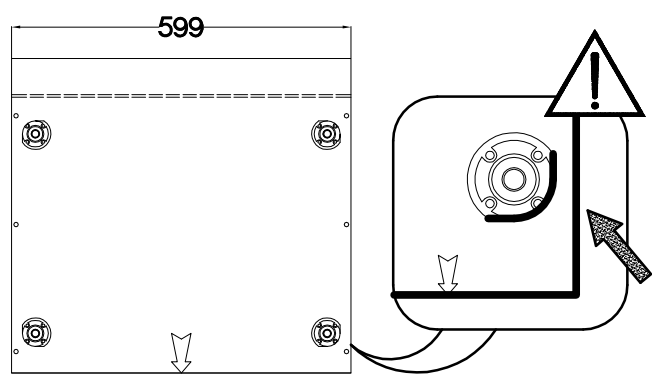
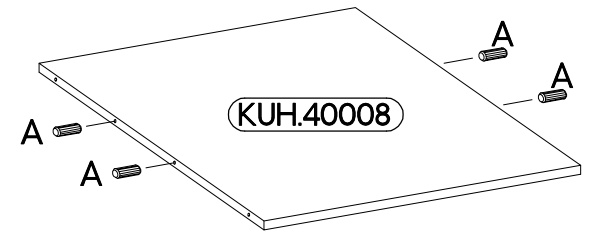
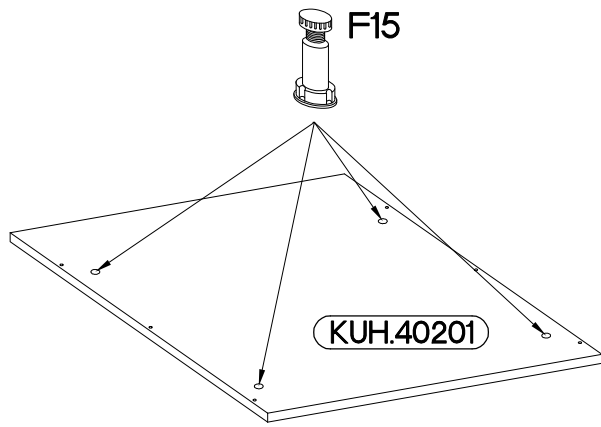
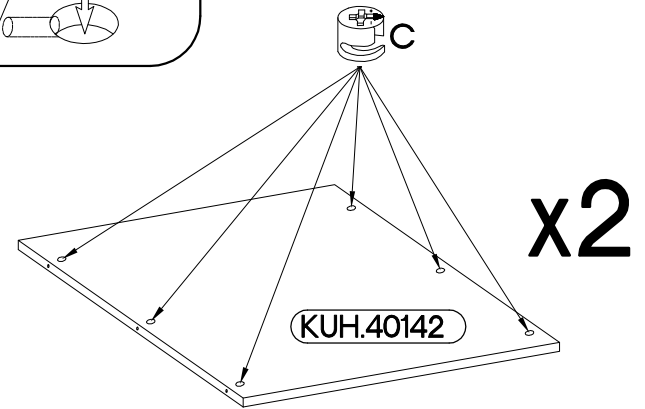
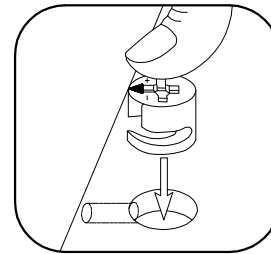
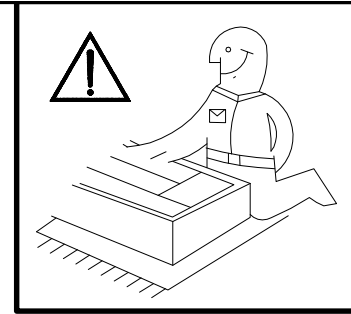
FRONT



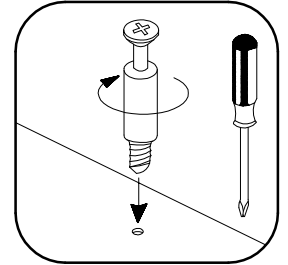
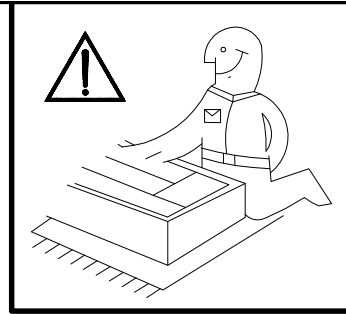
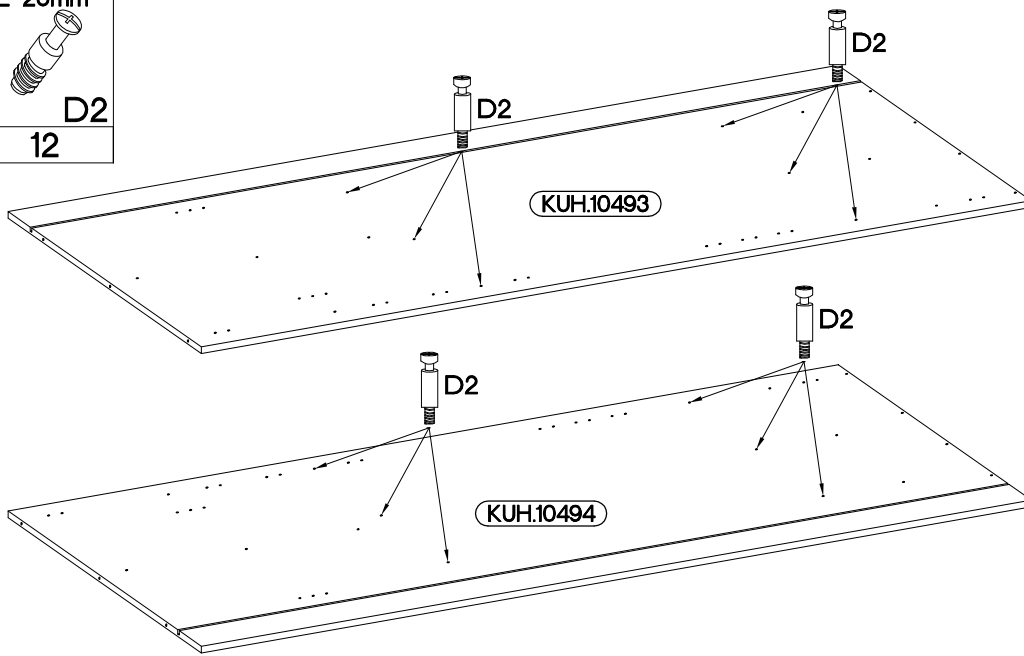
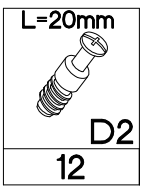
WARIANT B



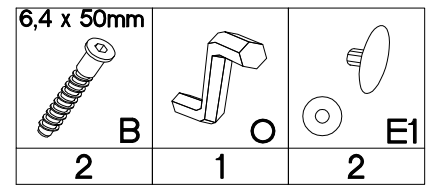
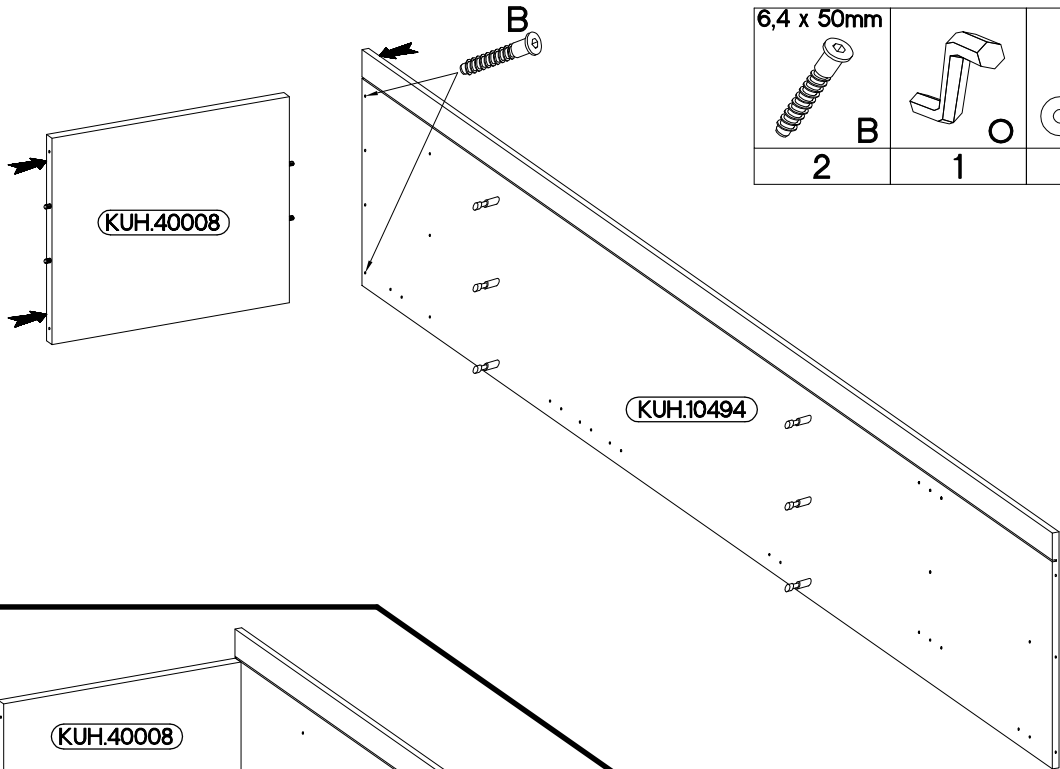
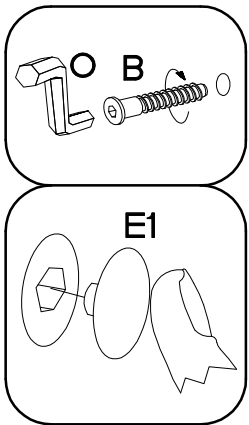
L-135-170cm F15	±3.5x13mm P5
4 ±8x30mm A	16 ±15/12mm C
4	12



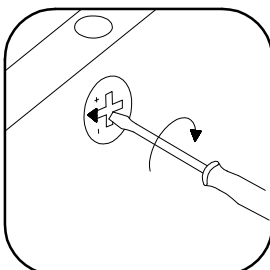
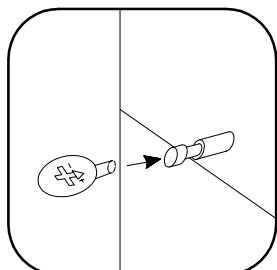
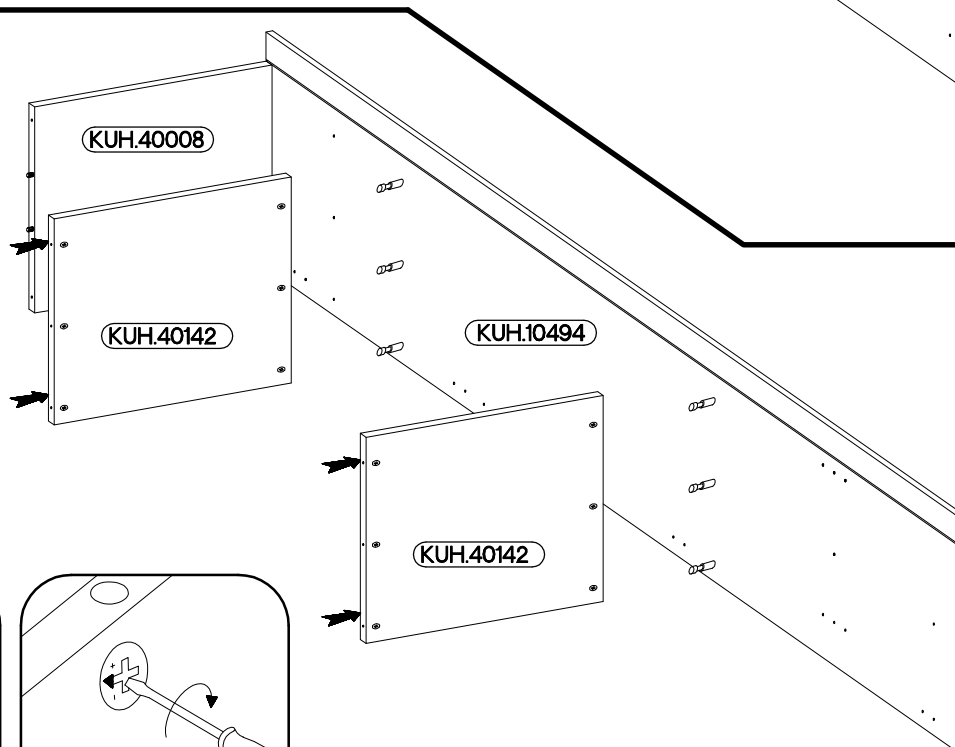
11




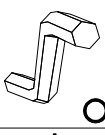
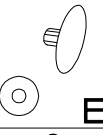
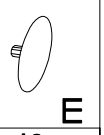
12

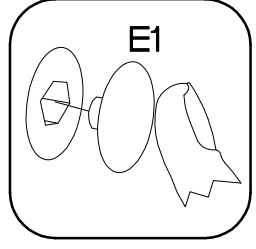
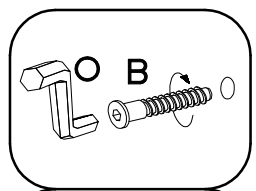
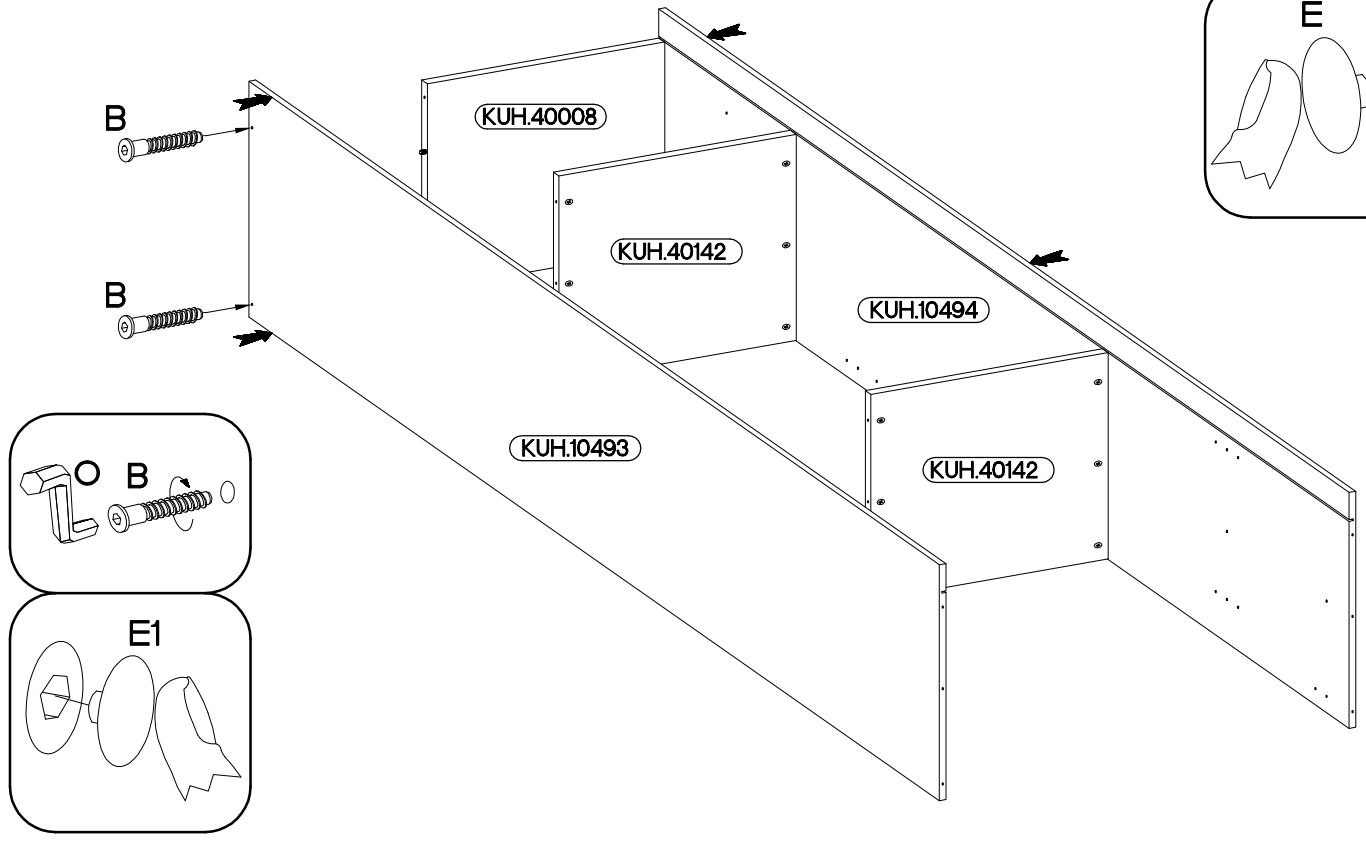
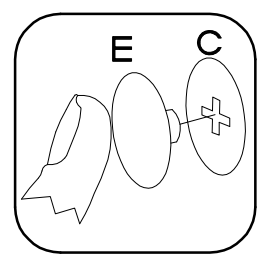
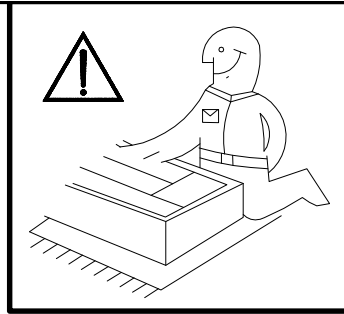
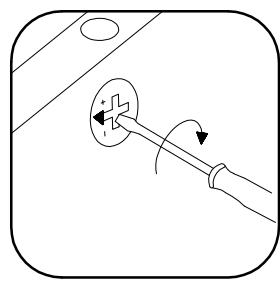
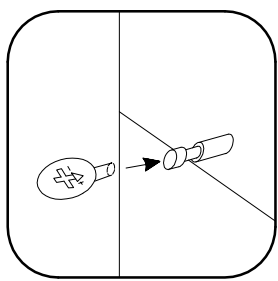


13


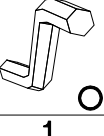


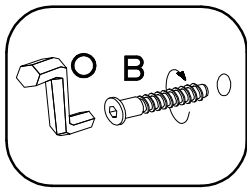
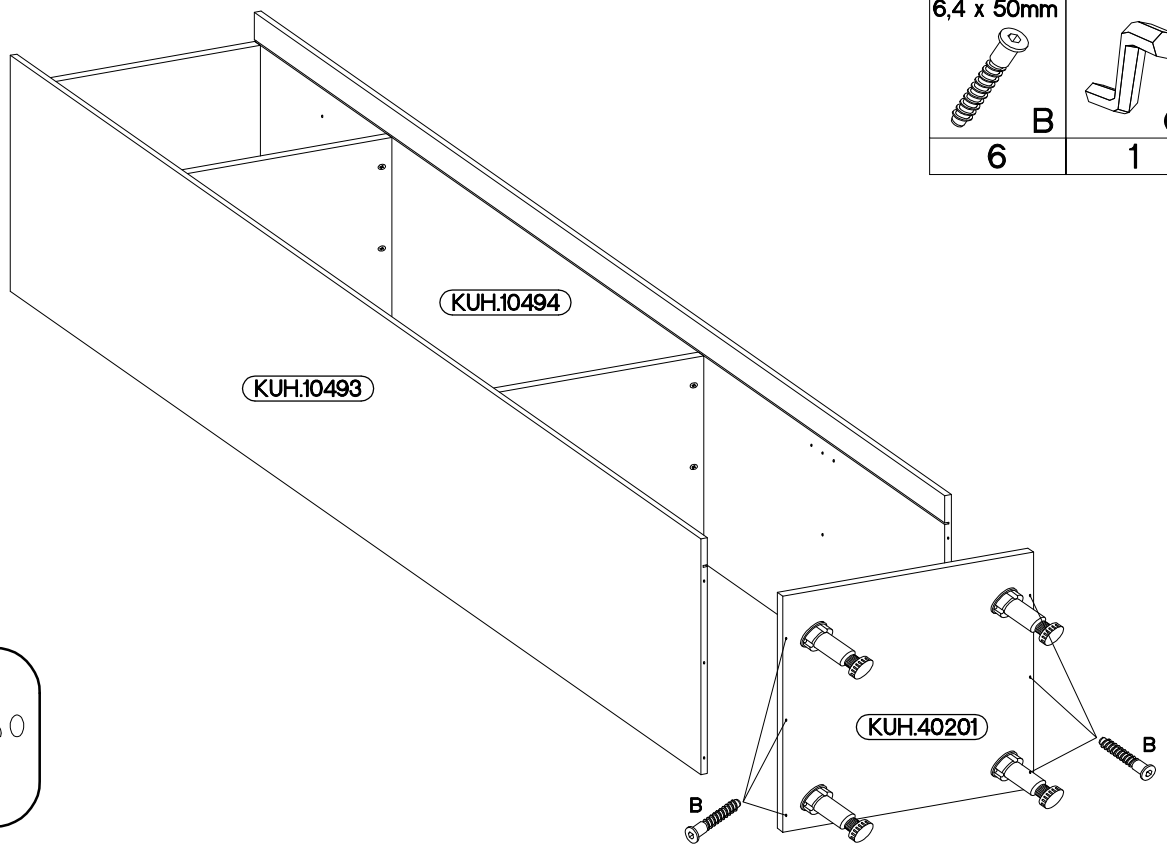
14

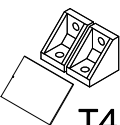

6,4 x 50mm			
			
B	O	E1	E
2	1	2	12



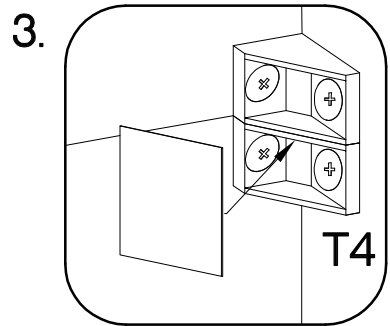
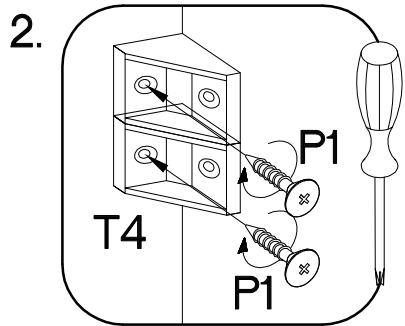
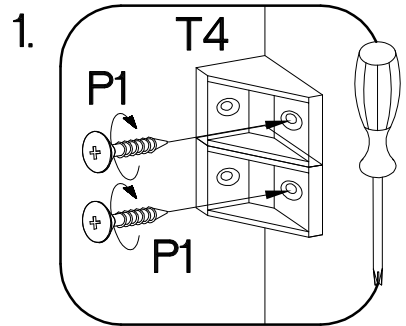
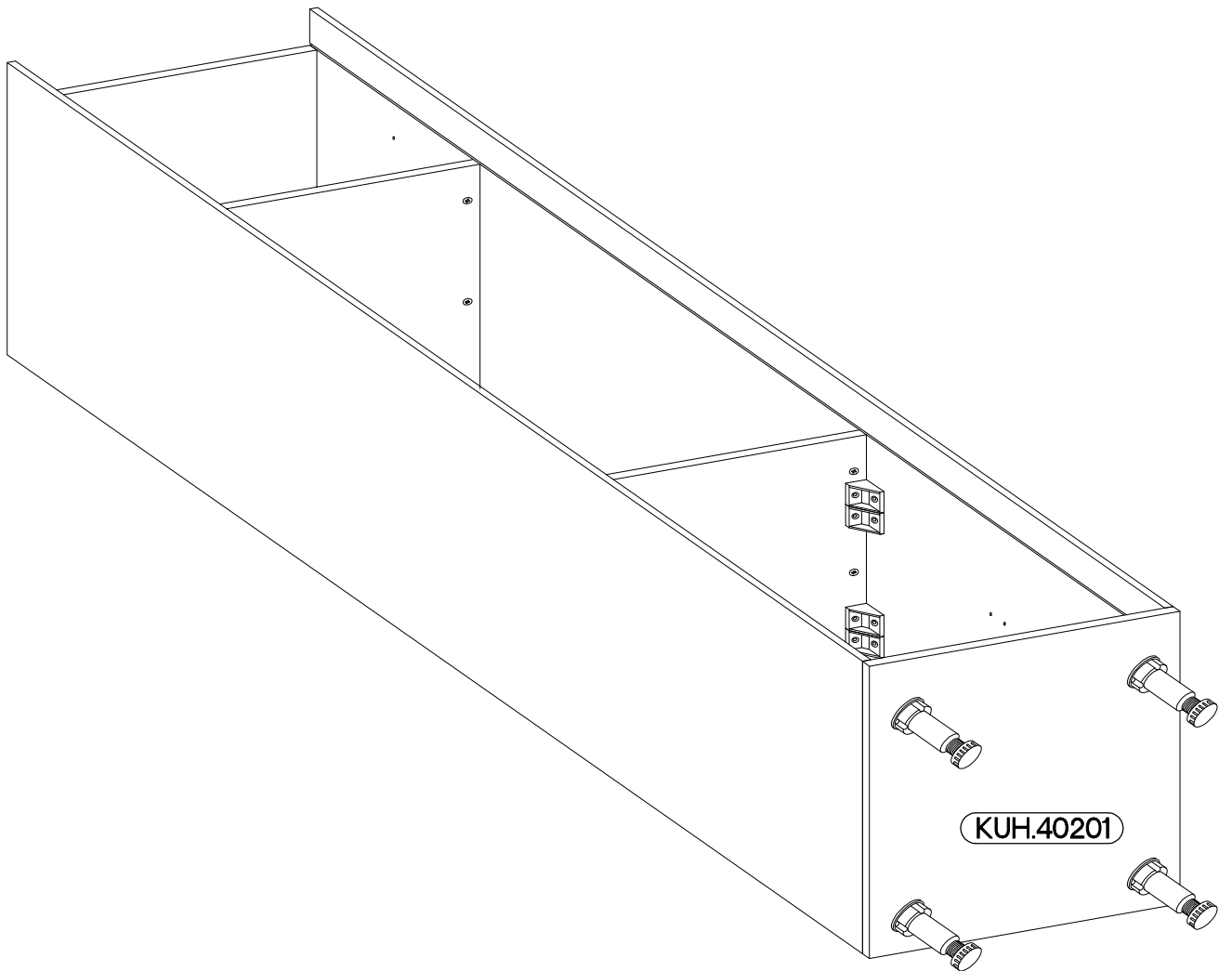
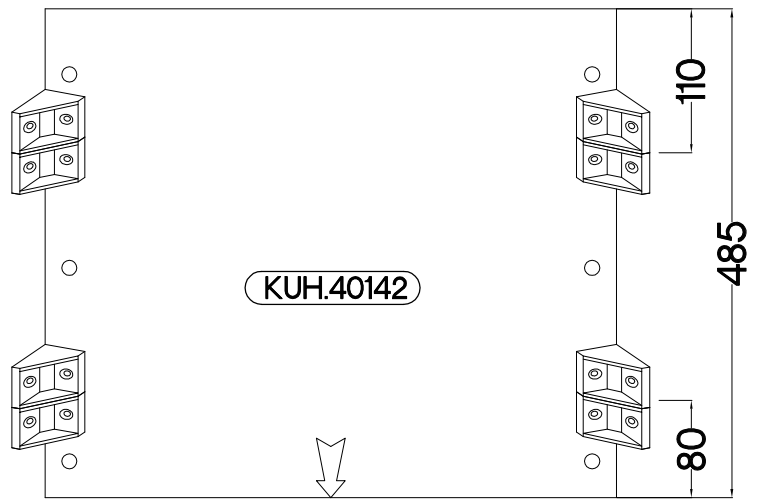
15

6,4 x 50mm	
	
B	O
6	1

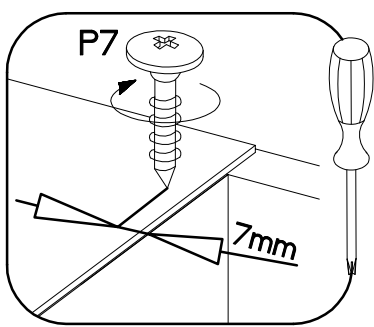
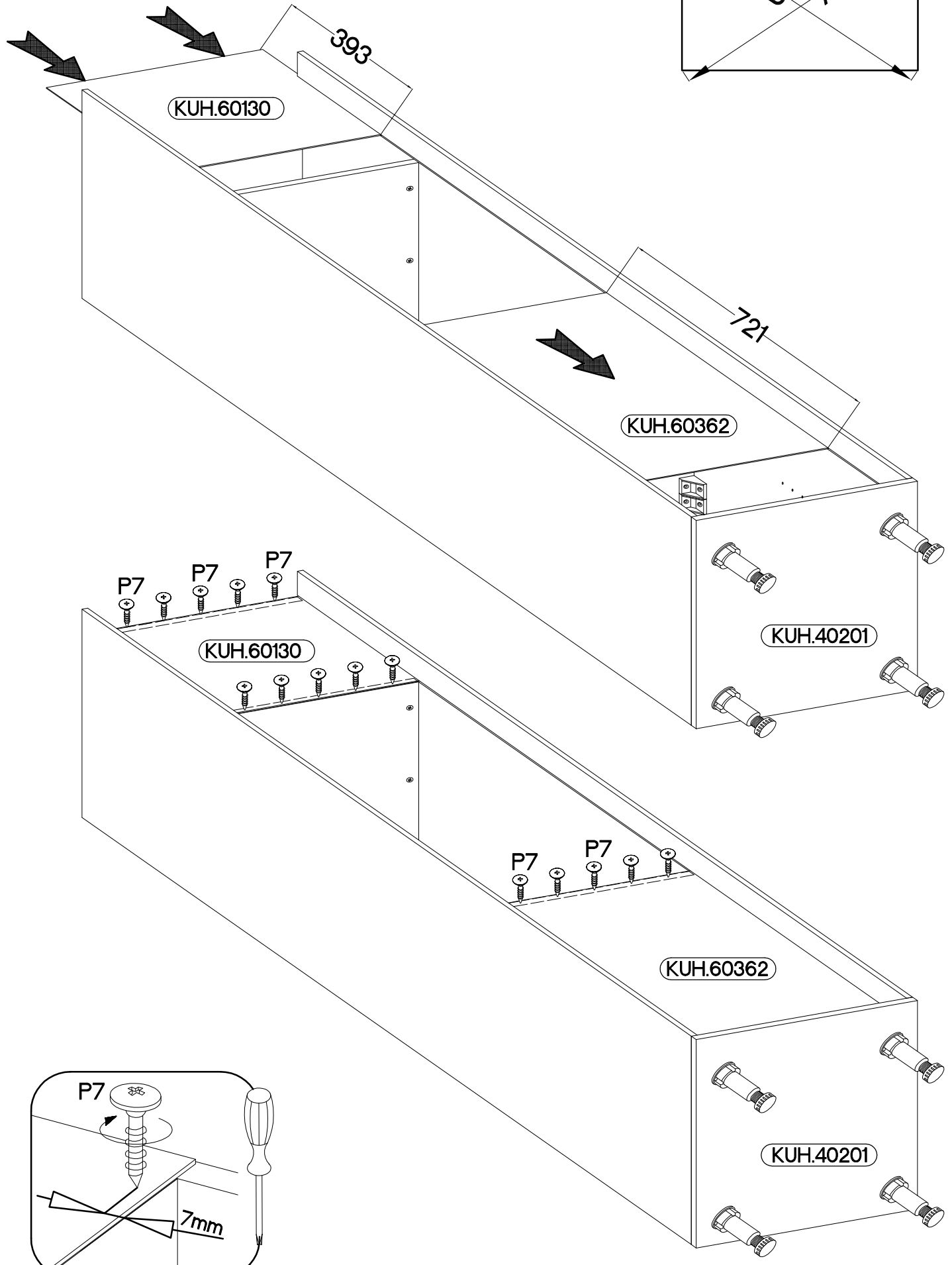
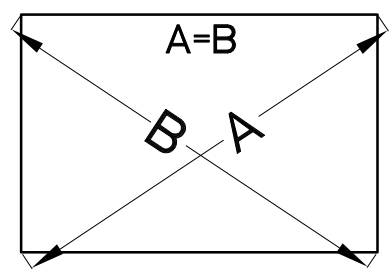


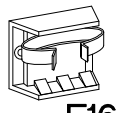
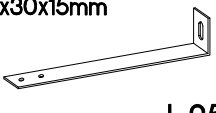

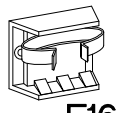
	
T4	P1
4	16

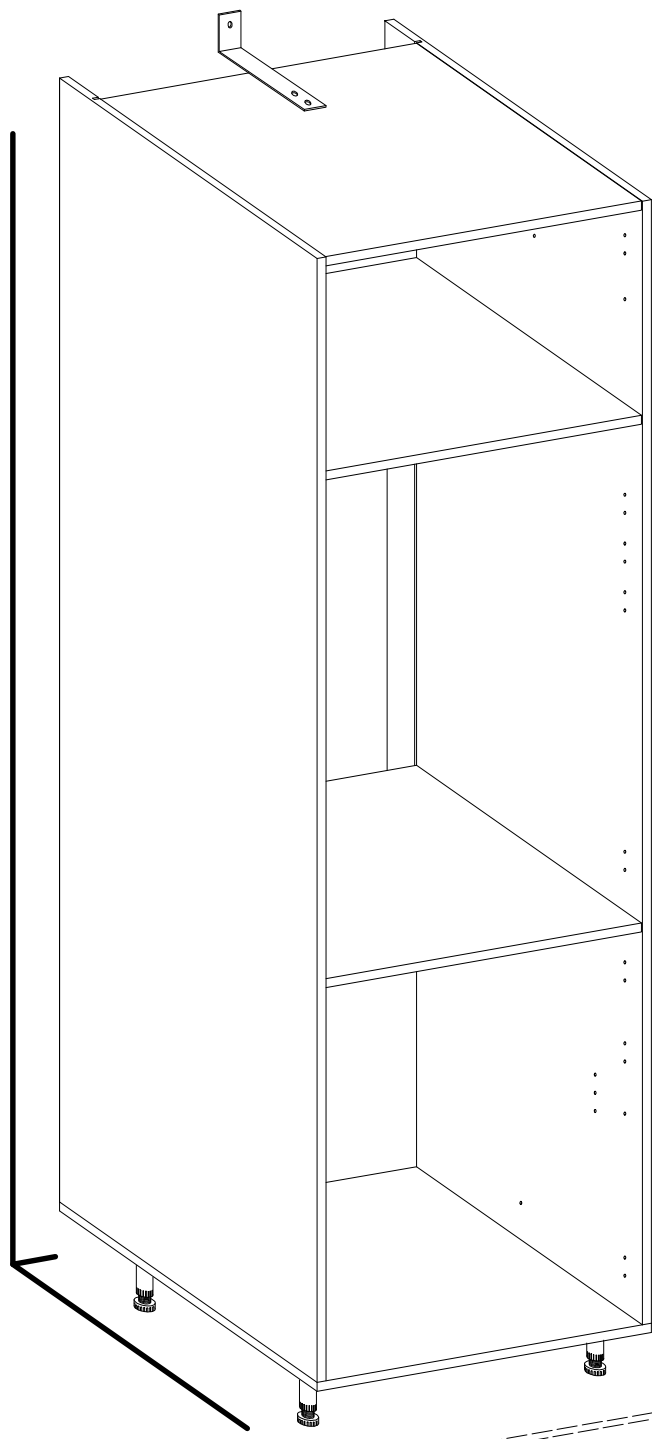
±4.0x16mm



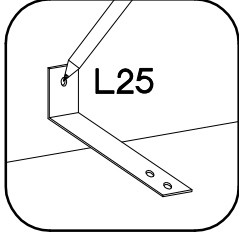
Ø3.0x20mm
P7
14-16



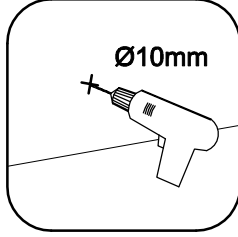
120x30x15mm	+3.5x13mm	
		
L25	P5	F16
1	6	2



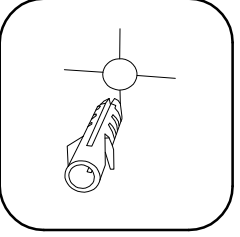
1.



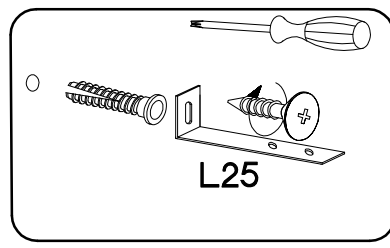
2.



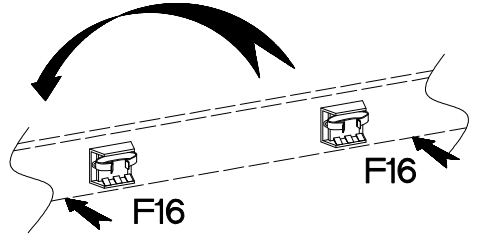
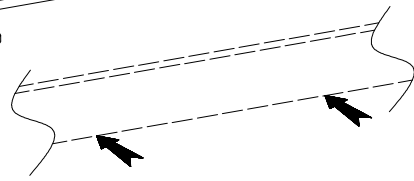
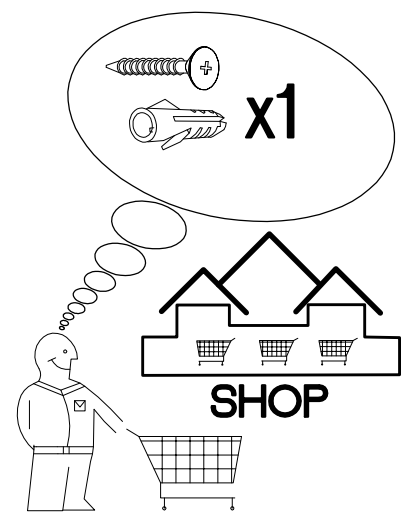
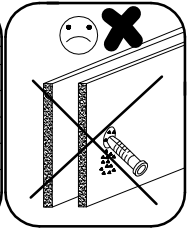
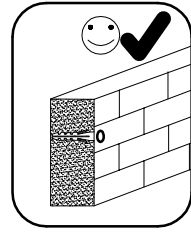
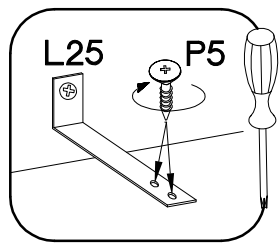
3.



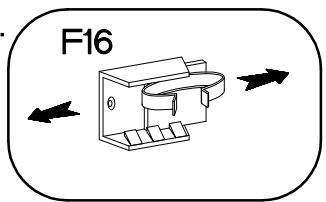
4.



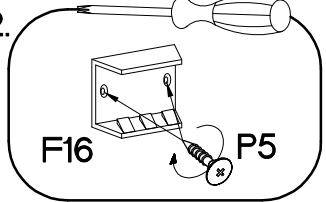
5.



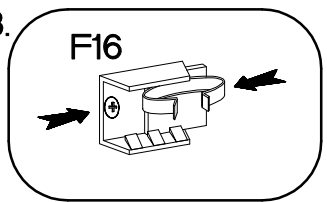
1.



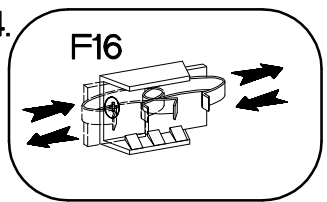
2.



3.




4.



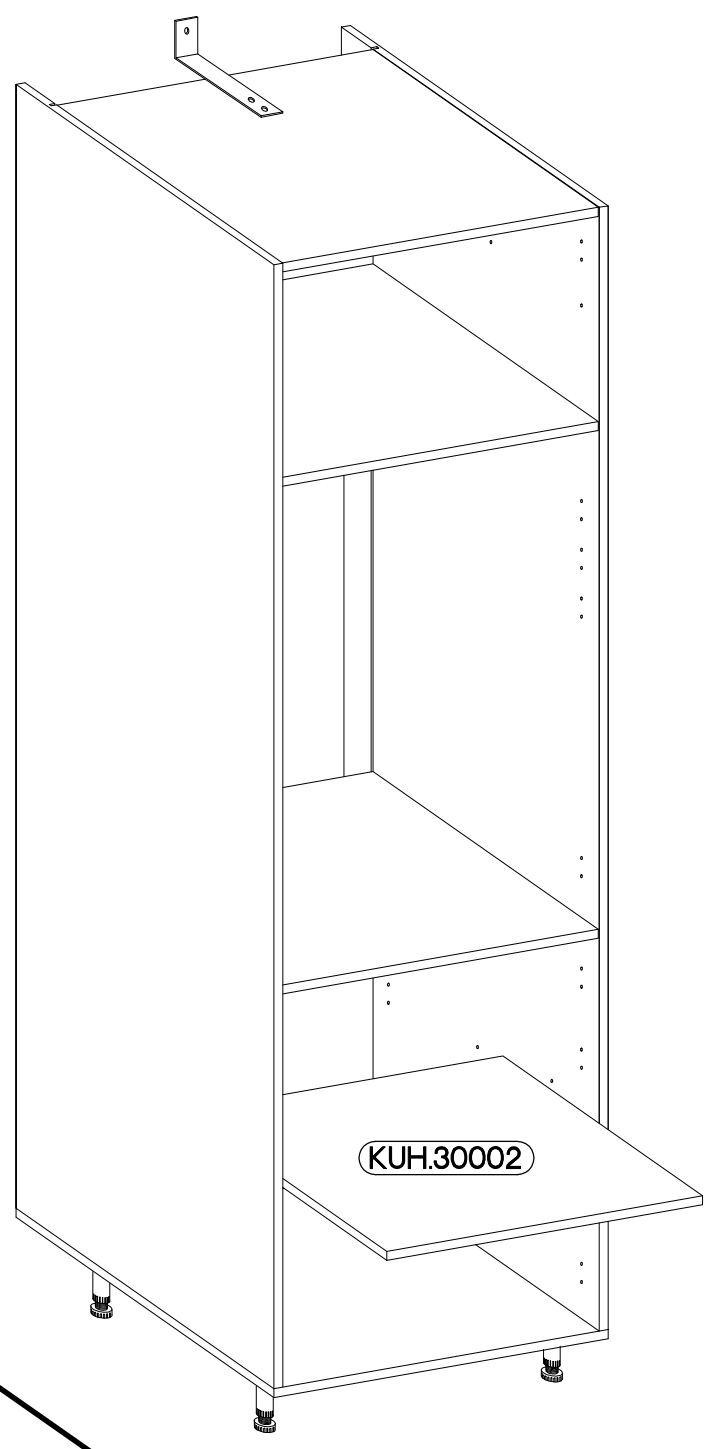
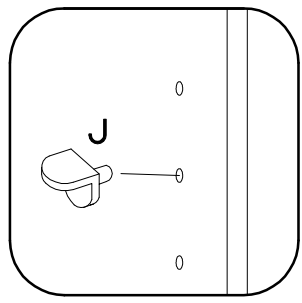
19

±5/19mm



J

4



20

FRONT

