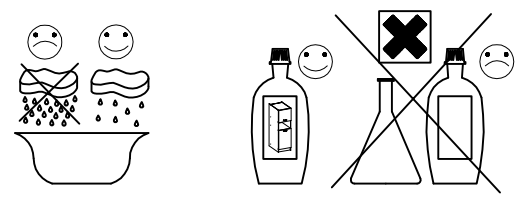
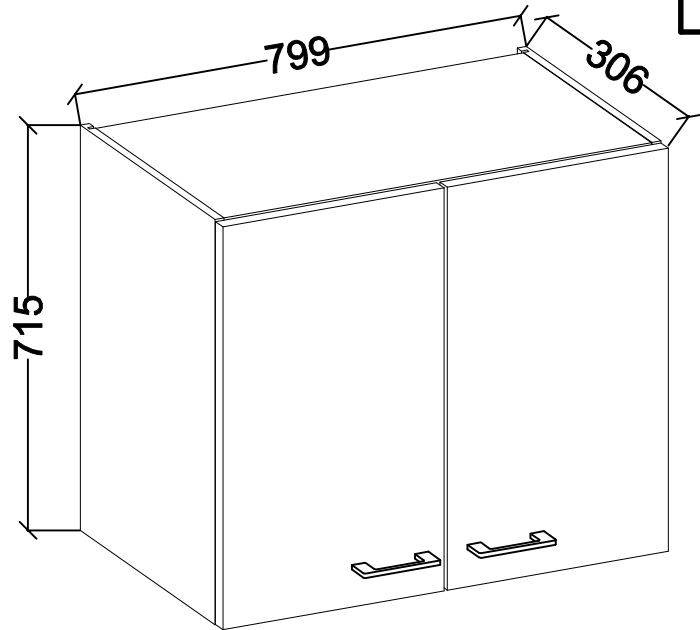
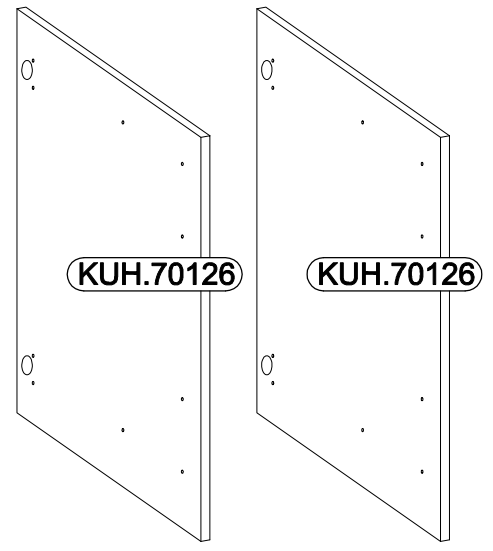
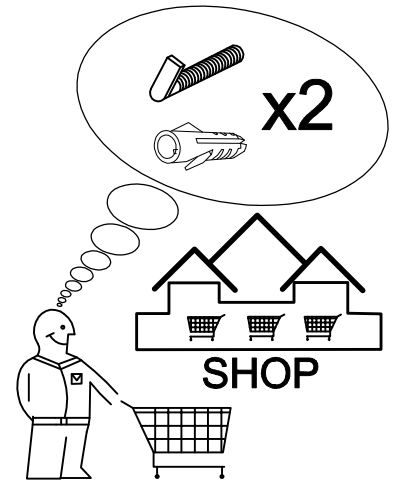
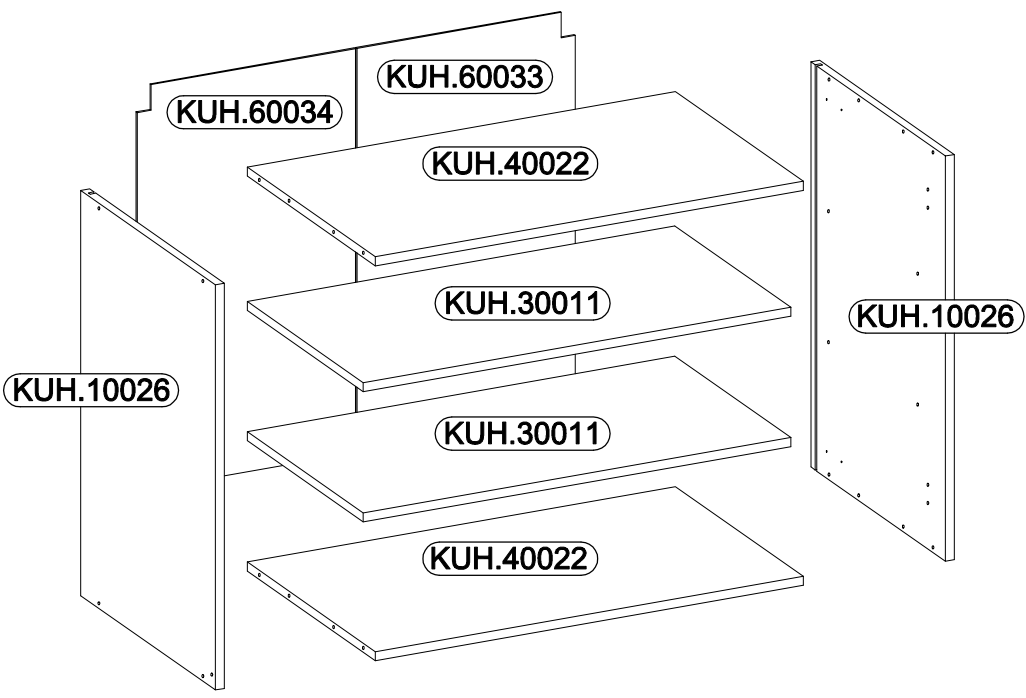
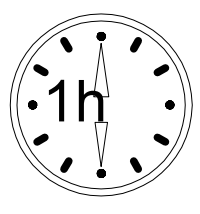


80 G-72 2F

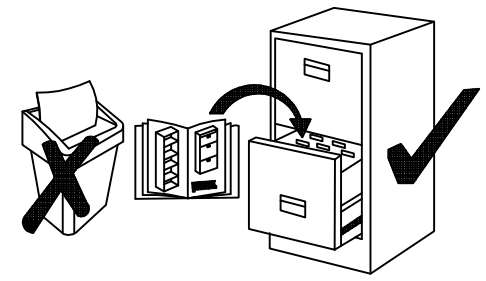


max.  
5kg

KUH.30011  
KUH.40022

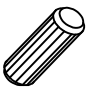

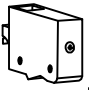


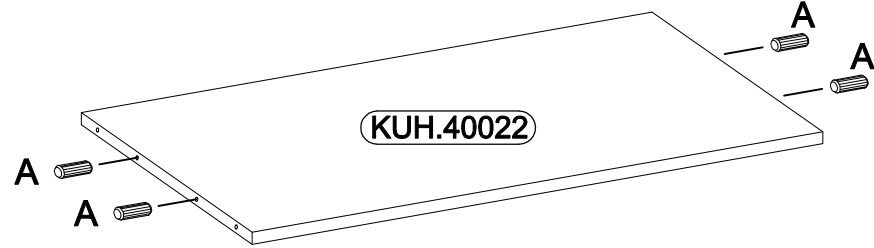
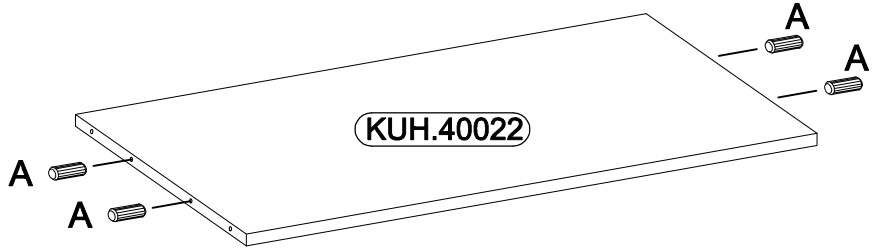
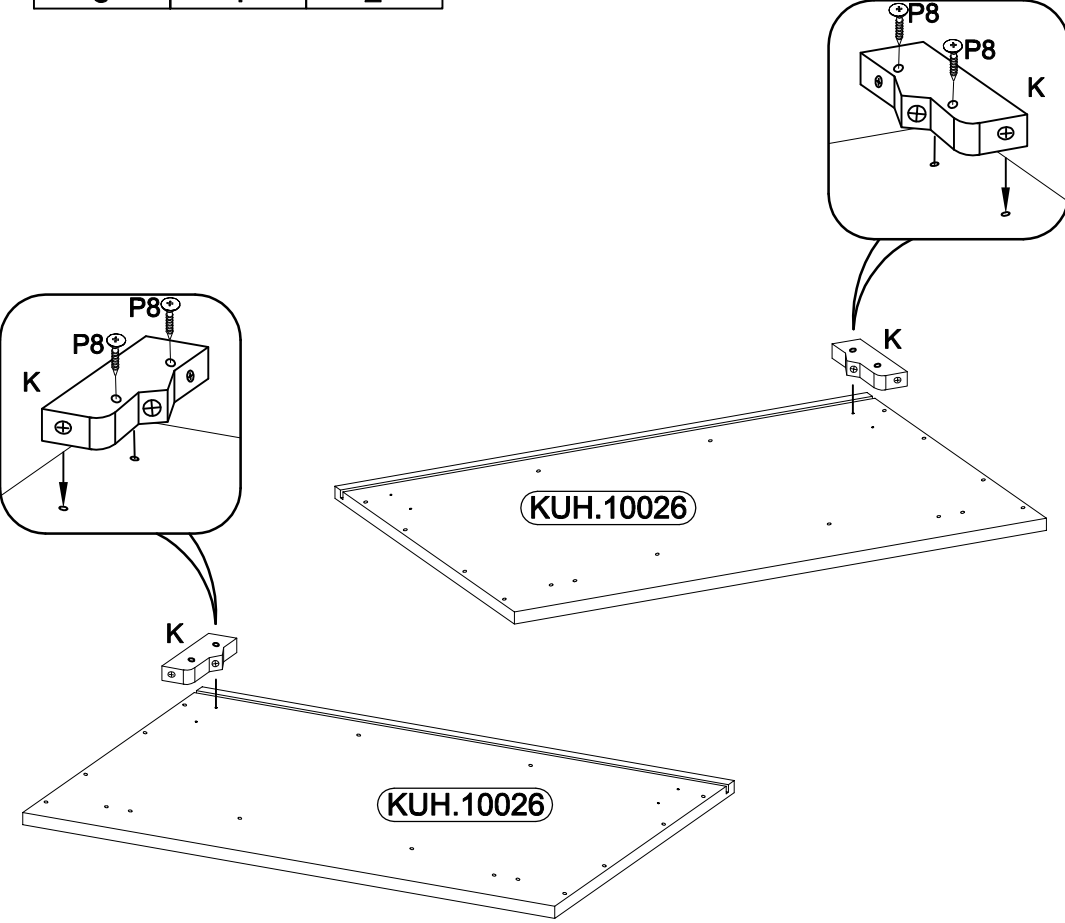
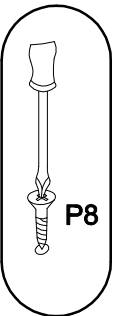
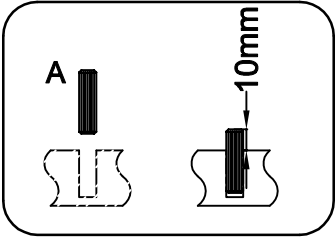
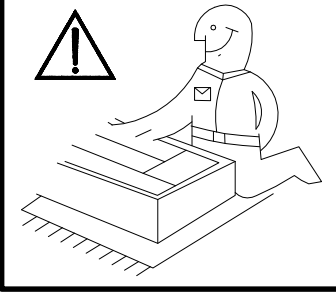
Ø8x30mm  A 8	6,4 x 50mm  B 8	 E1 8	Ø35/0mm [CD]  HG 4	Ø5/19mm  J 8	 K 2	L1=680mm  L1 1
 O 1	Ø3.5x13mm  P5 8	Ø3.0x20mm  P7 10-15	Ø4.0x30mm  P8 4	Ø4.0x30mm  R2 4	 S 2	




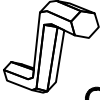

ISM-KUH-01547

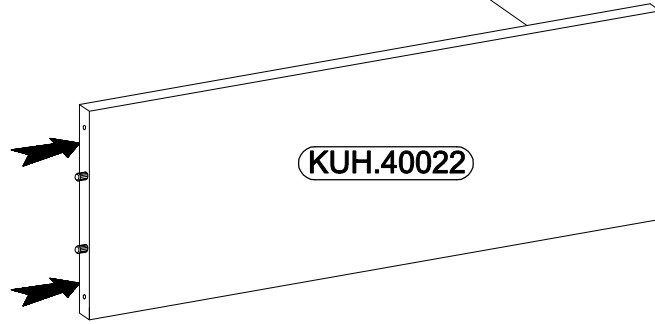
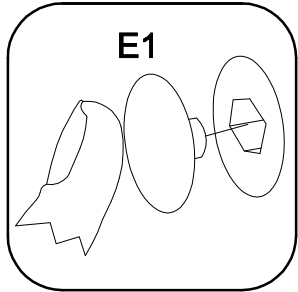
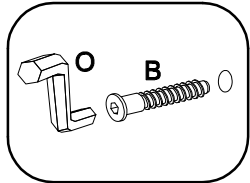
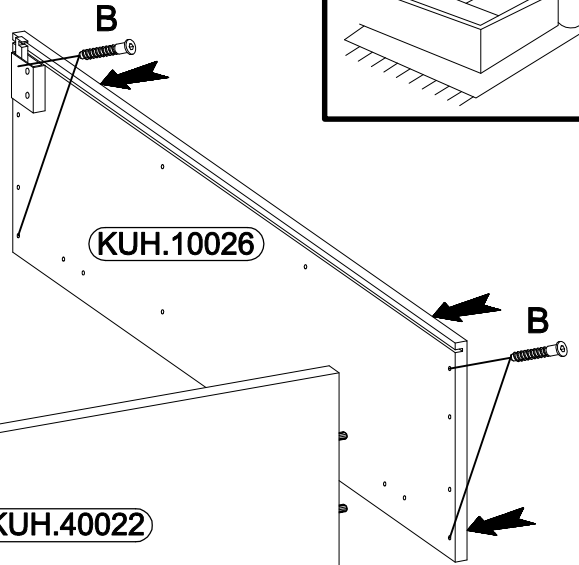
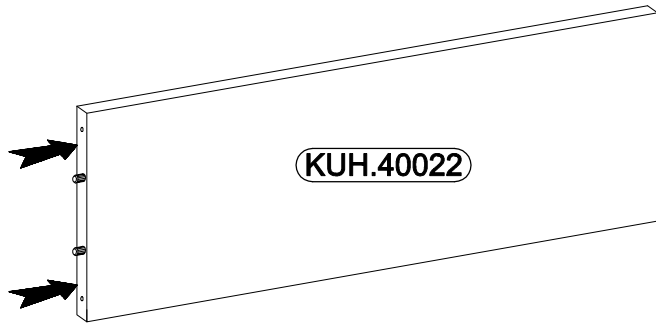
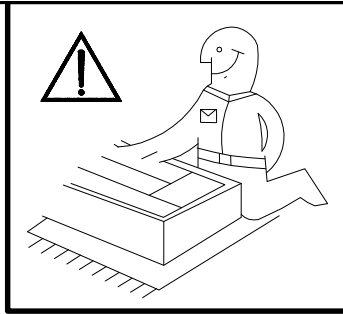
1

$\varnothing 8 \times 30 \text{mm}$  A	$\varnothing 4.0 \times 30 \text{mm}$  P8	 K
8	4	2


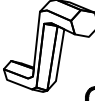



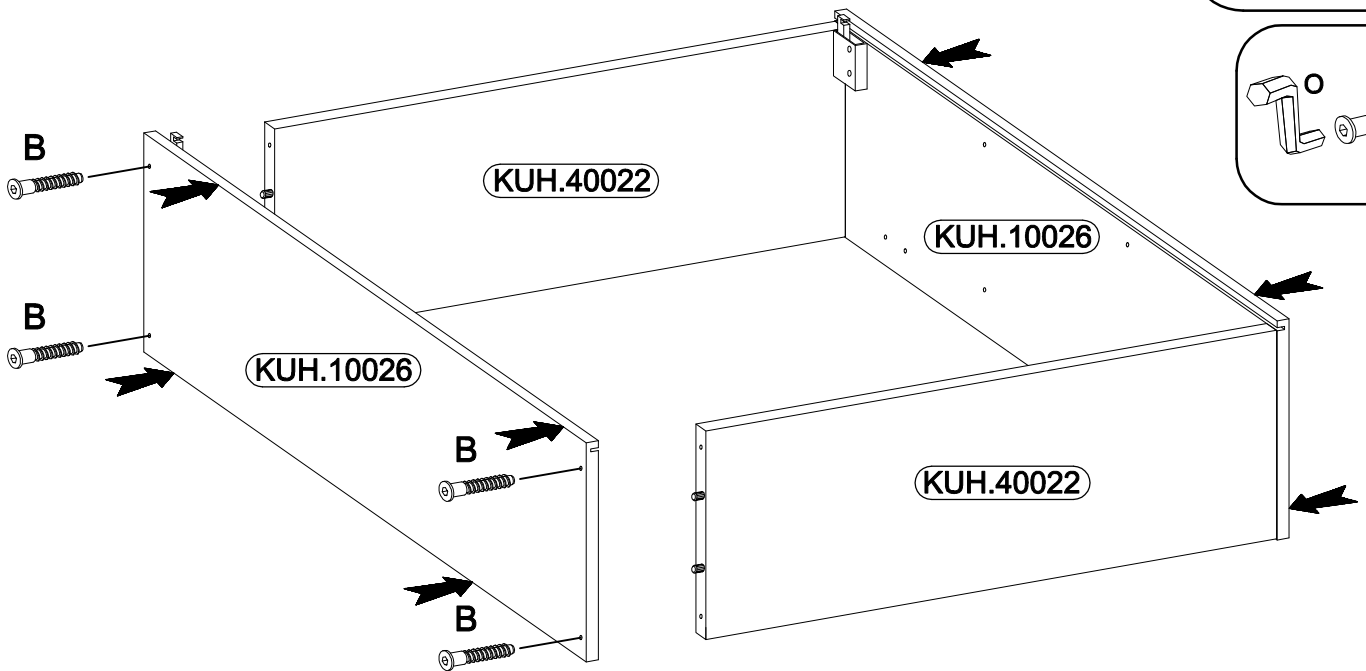
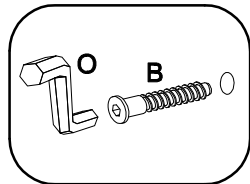
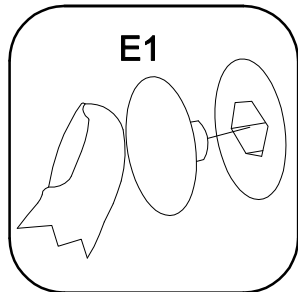
# 2

6,4 x 50mm		
		
<b>B</b>	<b>O</b>	<b>E1</b>
4	1	4

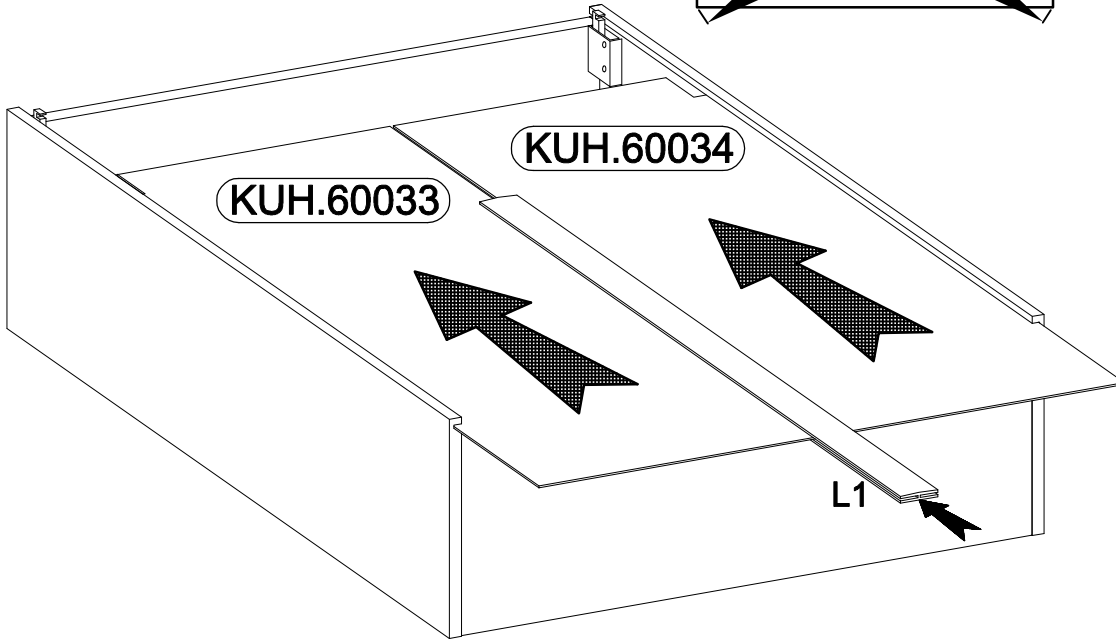
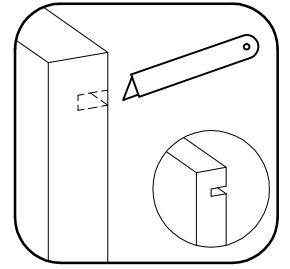
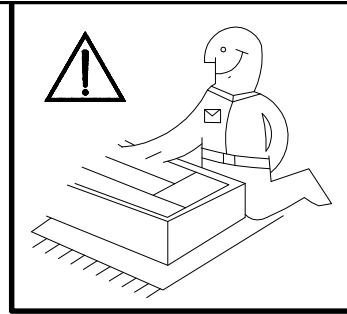
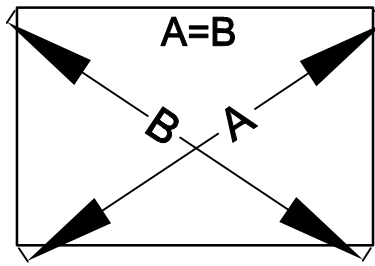
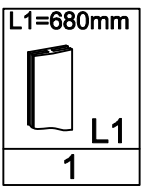


# 3

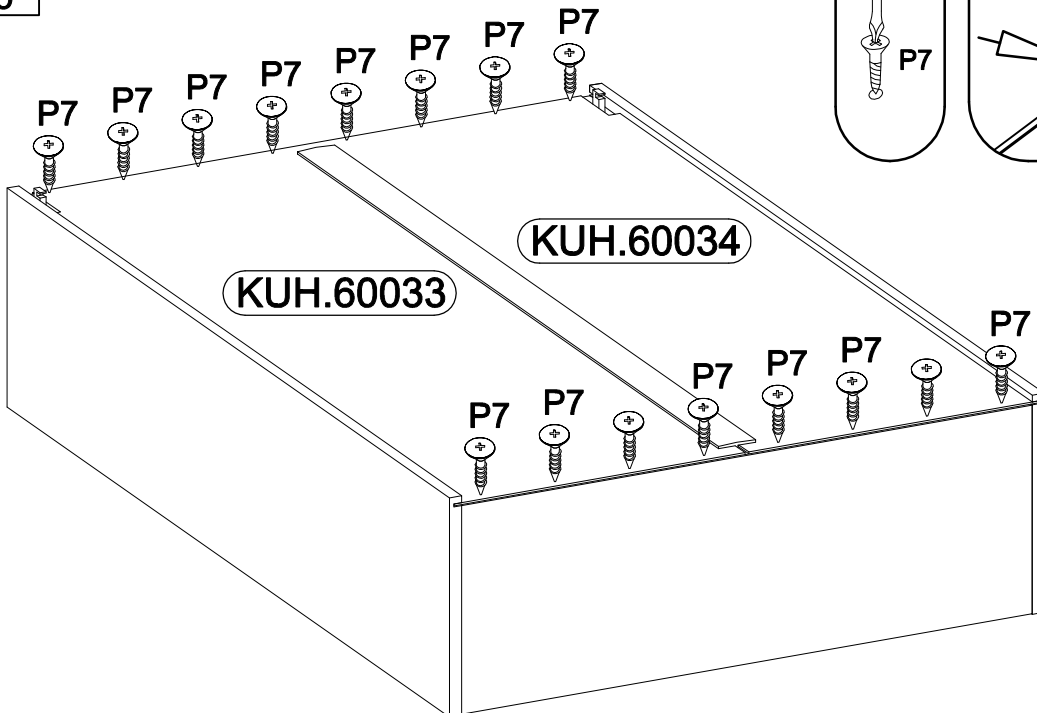
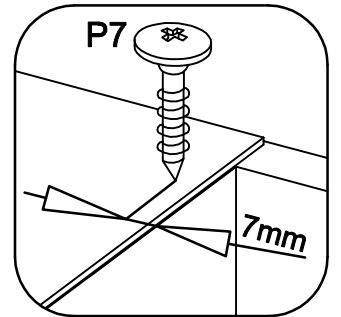
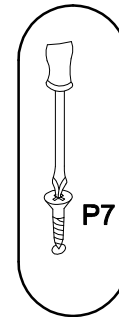
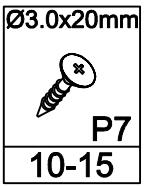
6,4 x 50mm		
		
<b>B</b>	<b>O</b>	<b>E1</b>
4	1	4



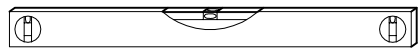
4



5

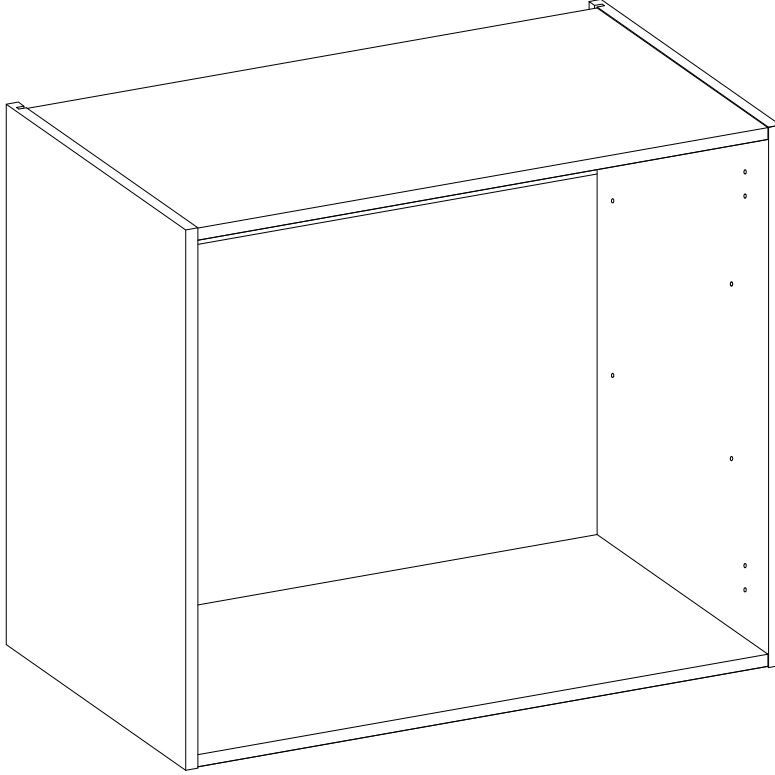
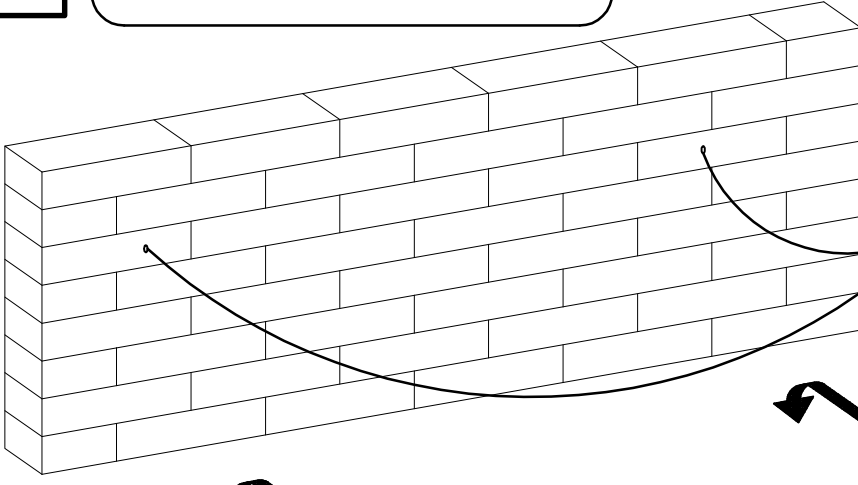
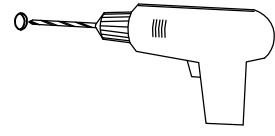


6

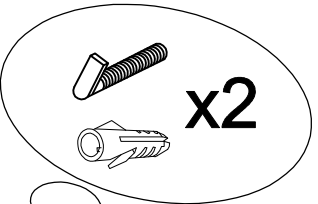
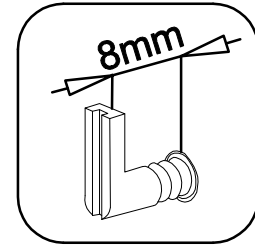
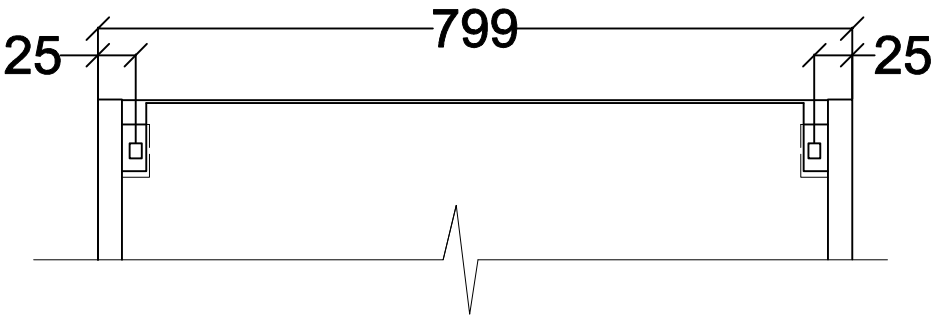
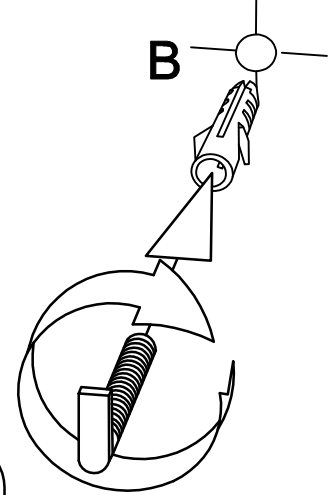


A

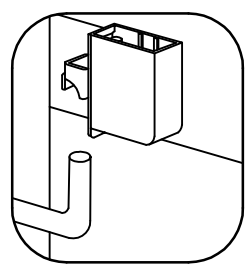
Ø10mm



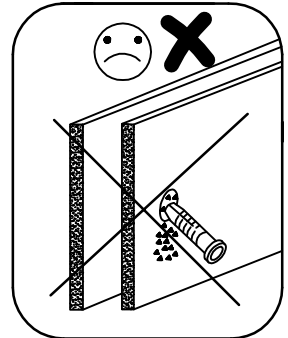
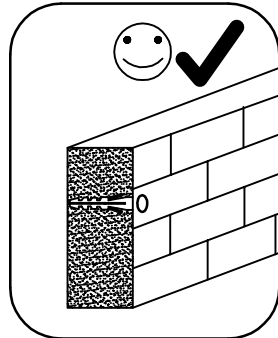
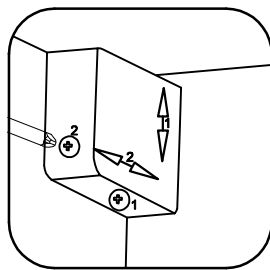
B



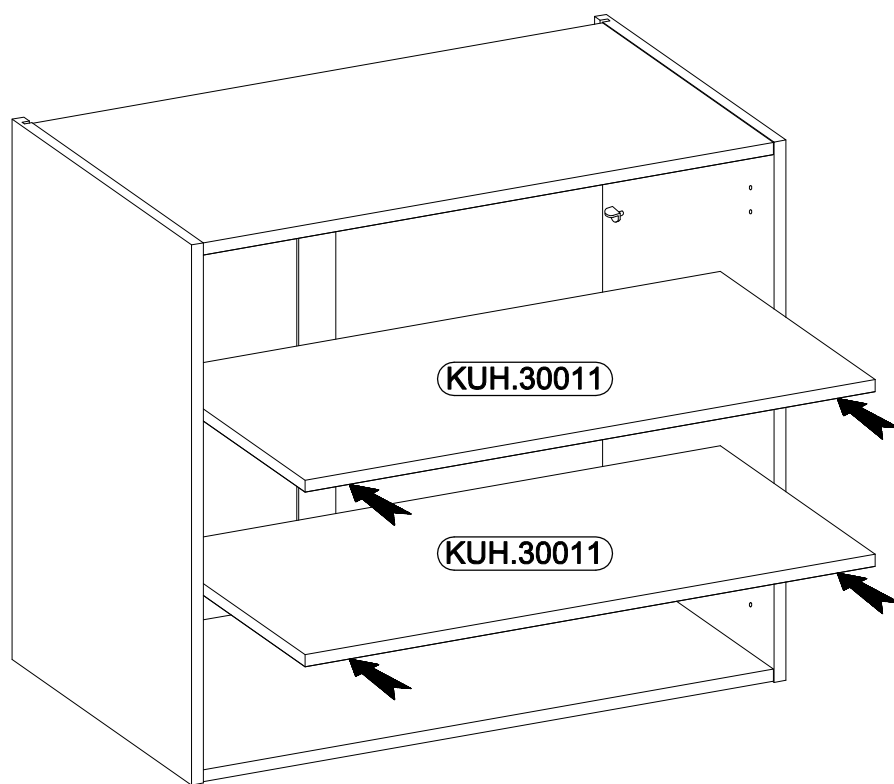
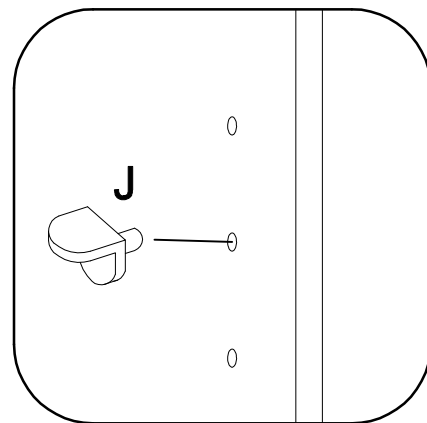
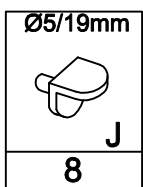
C



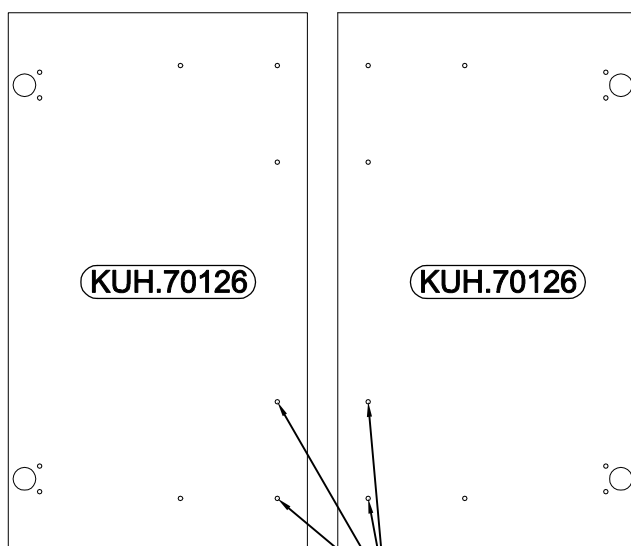
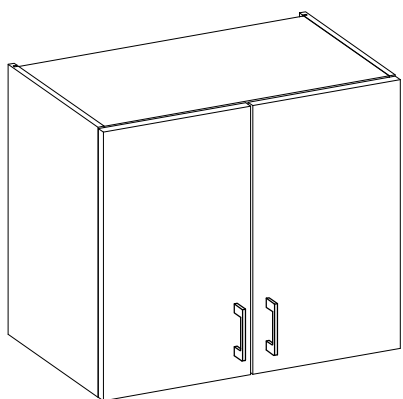
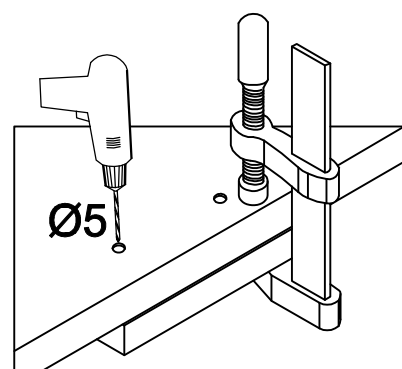
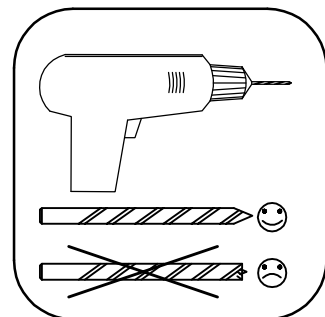
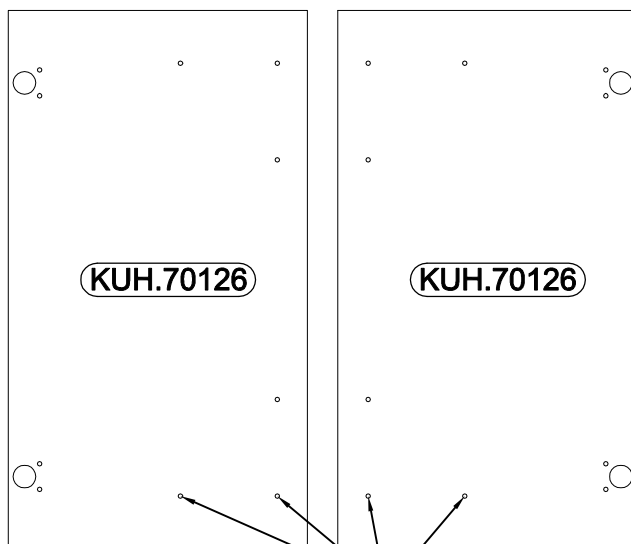
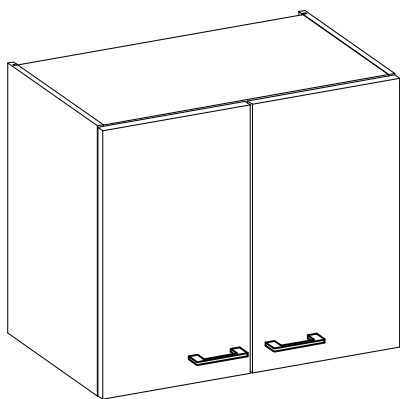
D





7

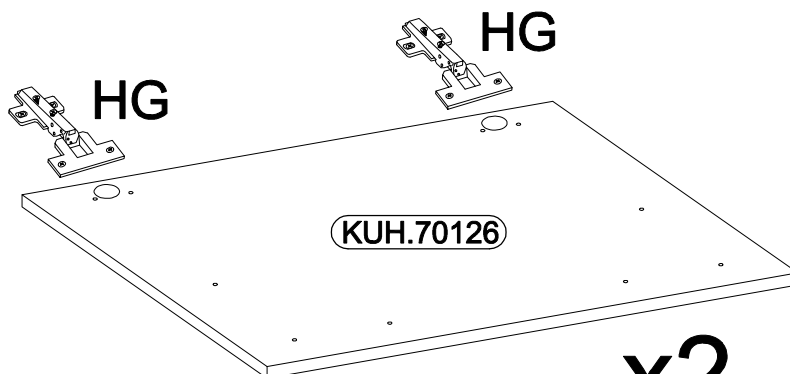


8

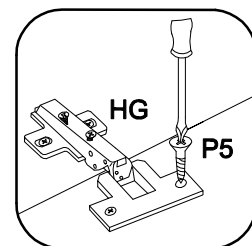


9



Ø35/0mm	Ø3.5x13mm
	
HG	P5
4	8



x2



Ø4.0x30mm

 R2	 S
2	1

