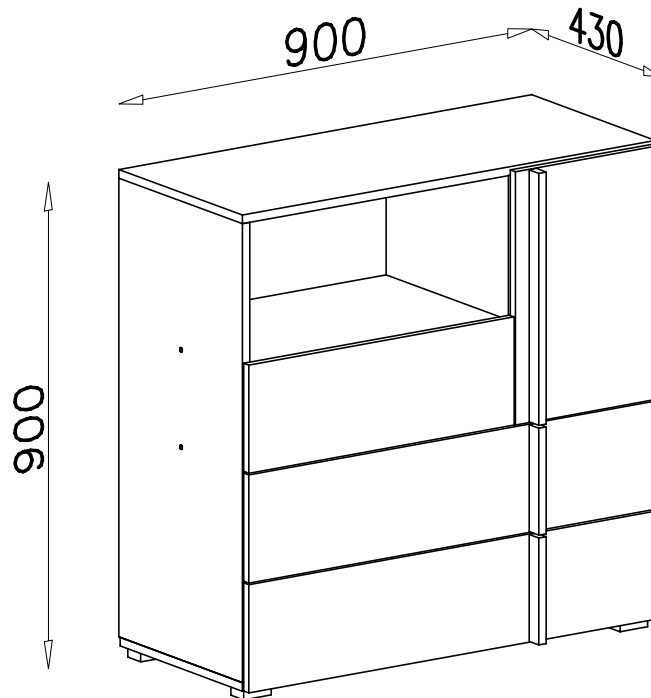
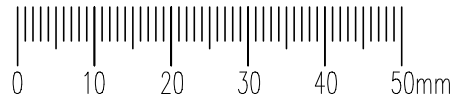
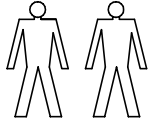
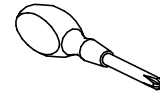
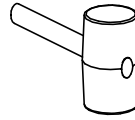
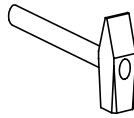
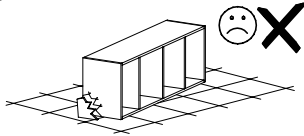
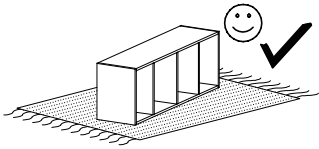
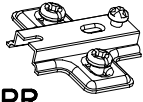
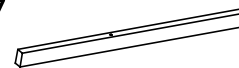
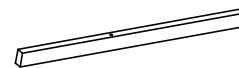
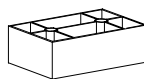

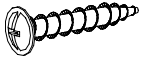
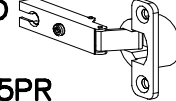
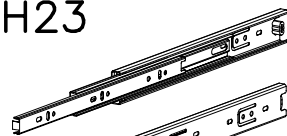






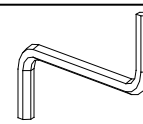


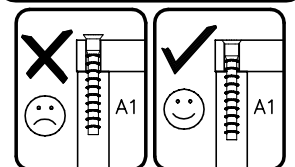
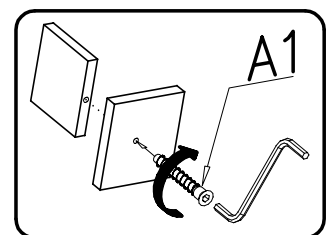
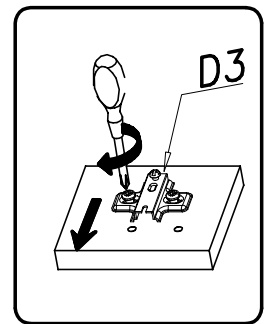
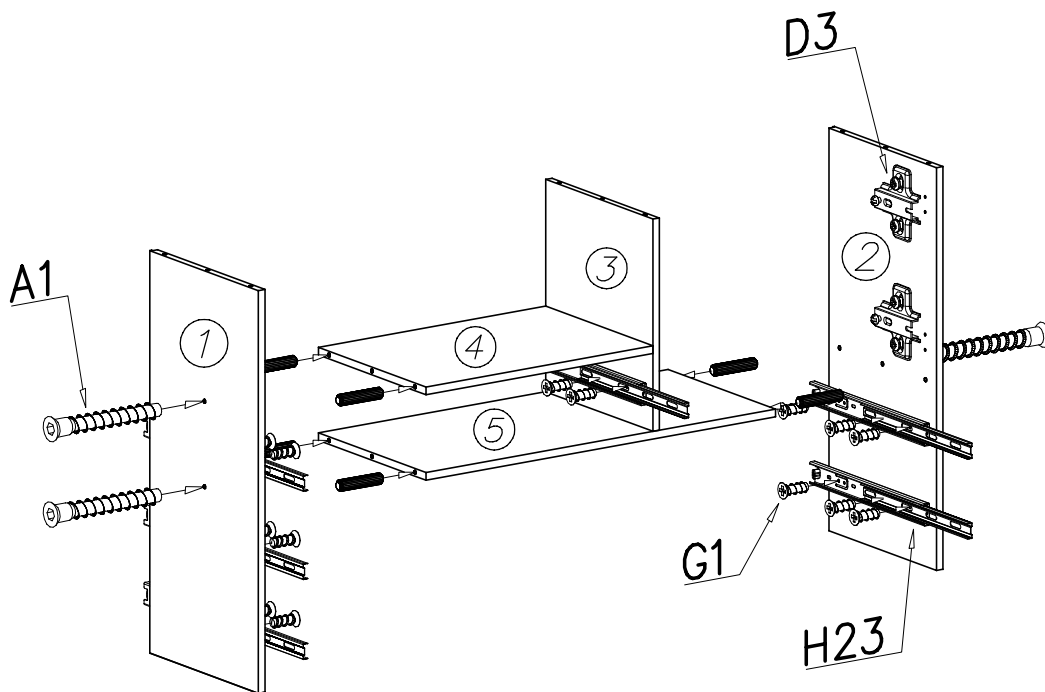
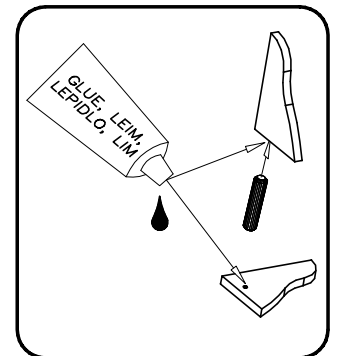
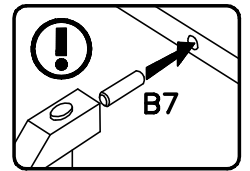
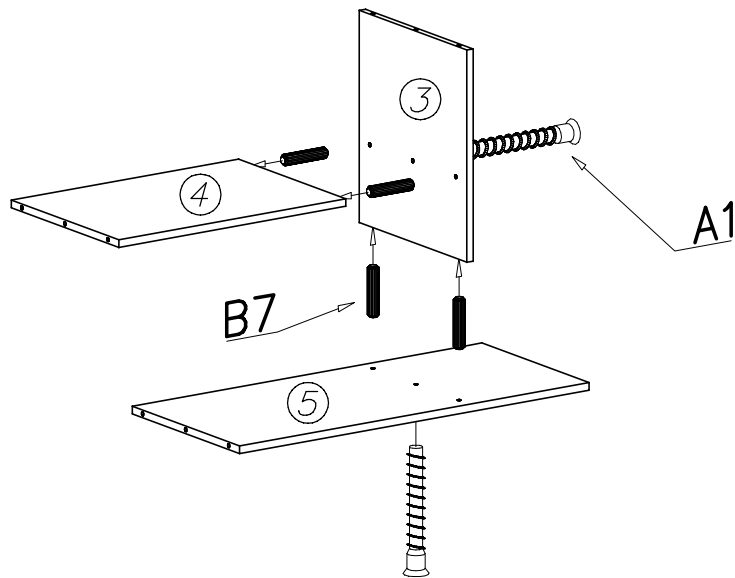


REMO RM 8

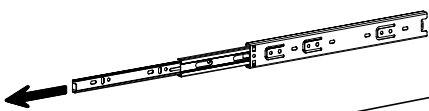


		D3  PZ35PR x2	E7  466mm x1	E1  198mm x2
P2  x4	W1  x3	G8  4x30 x4	C3  Z35PR x2	H23  350mm x3
G12  3,5x25 x8	G4  4x16 x4	G2  3x20 x45	S2  x6	
A1  ø7x50 x7	B7  ø8x30 x47	W2  x1	B2  ø6x30 x7	G1  4x13 x30

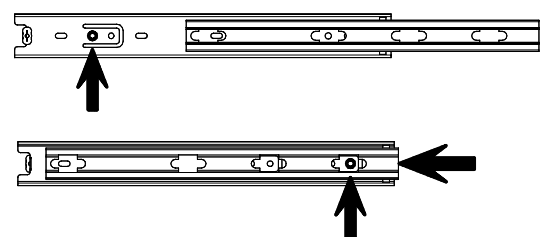
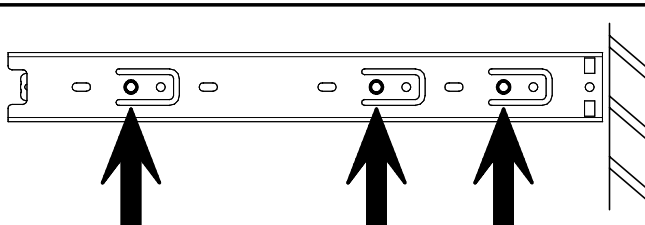
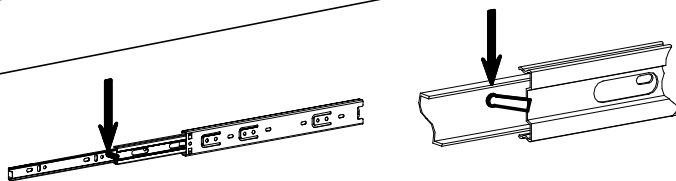
1



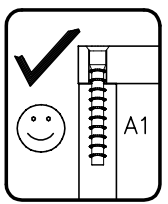
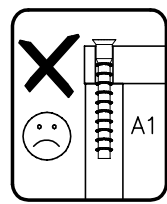
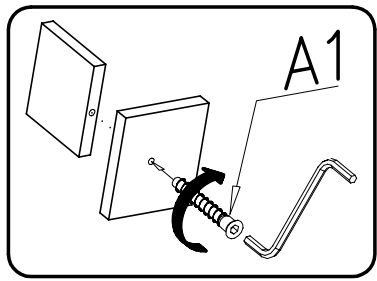
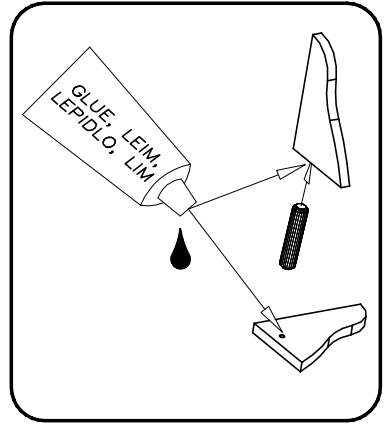
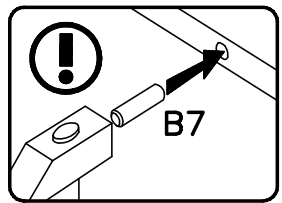
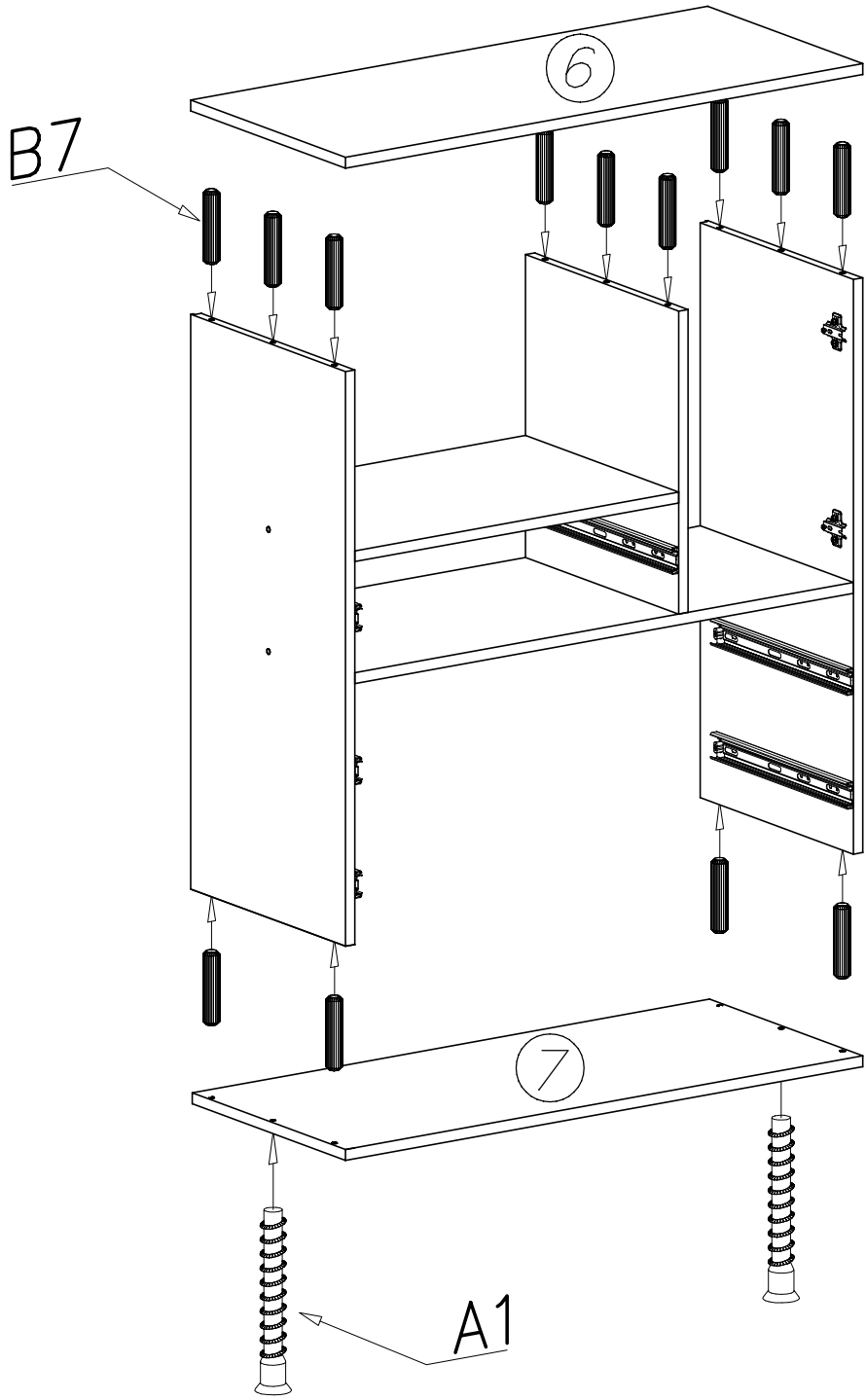
A



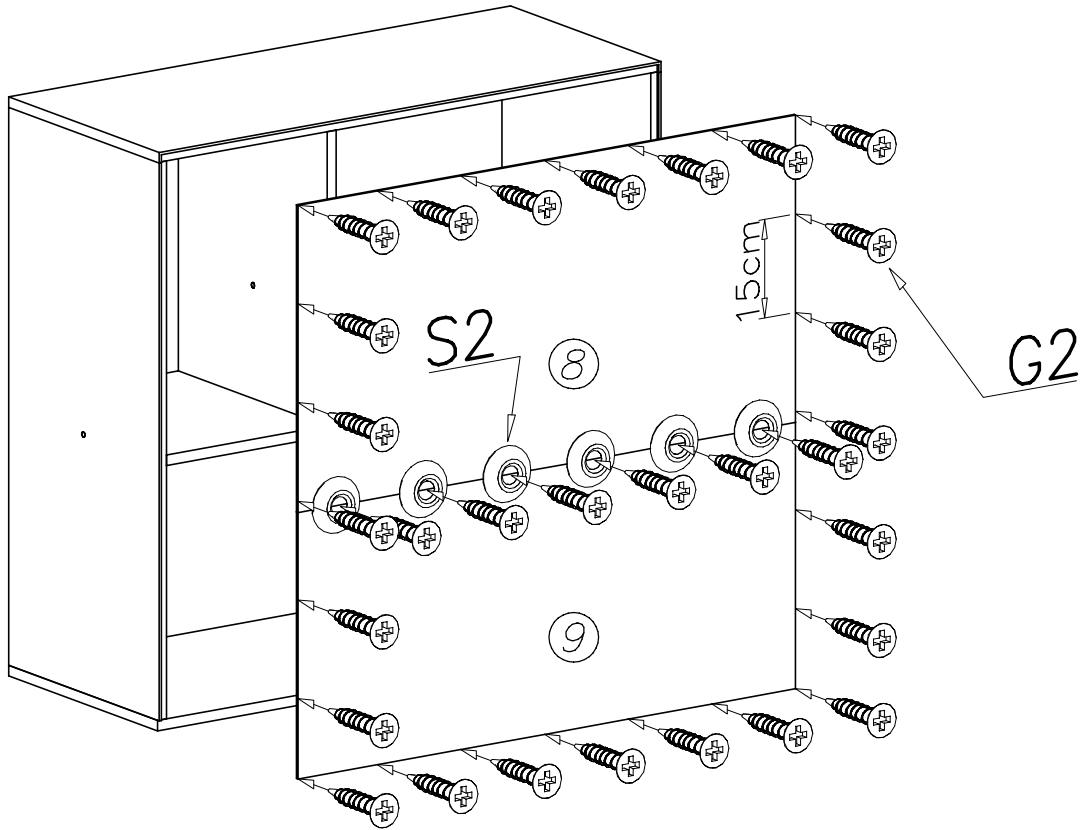
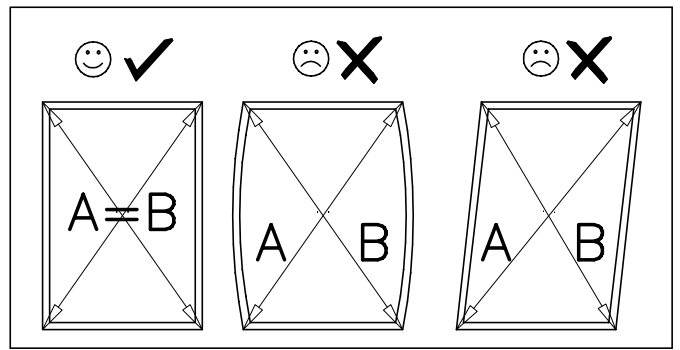
B



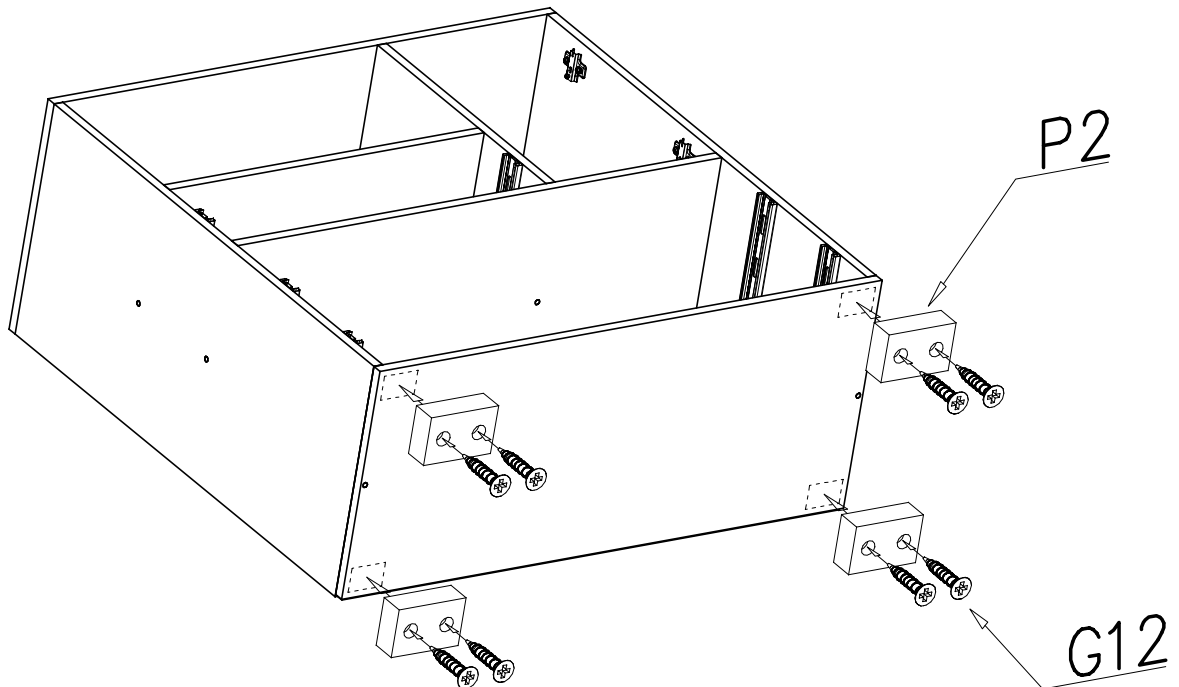
II



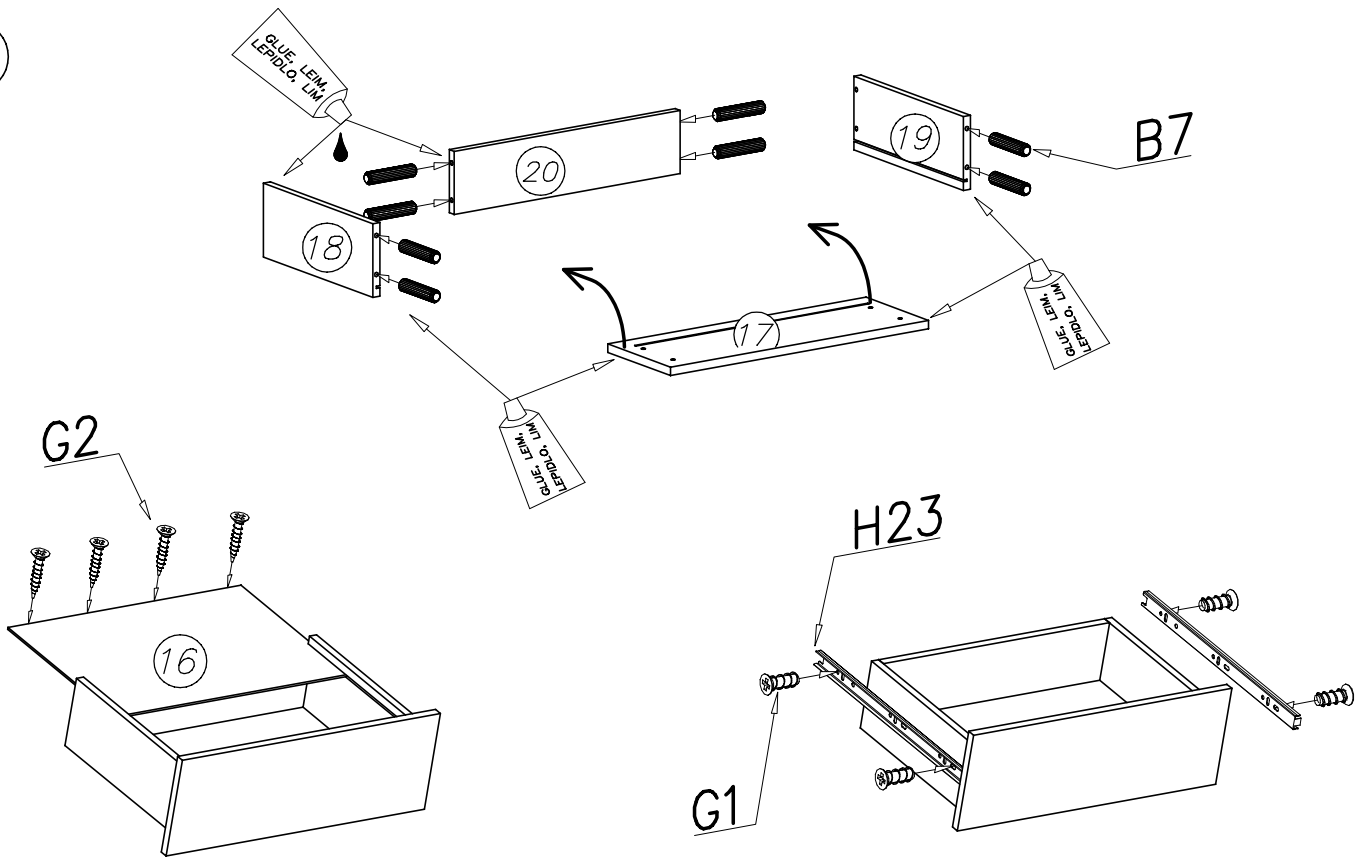
III



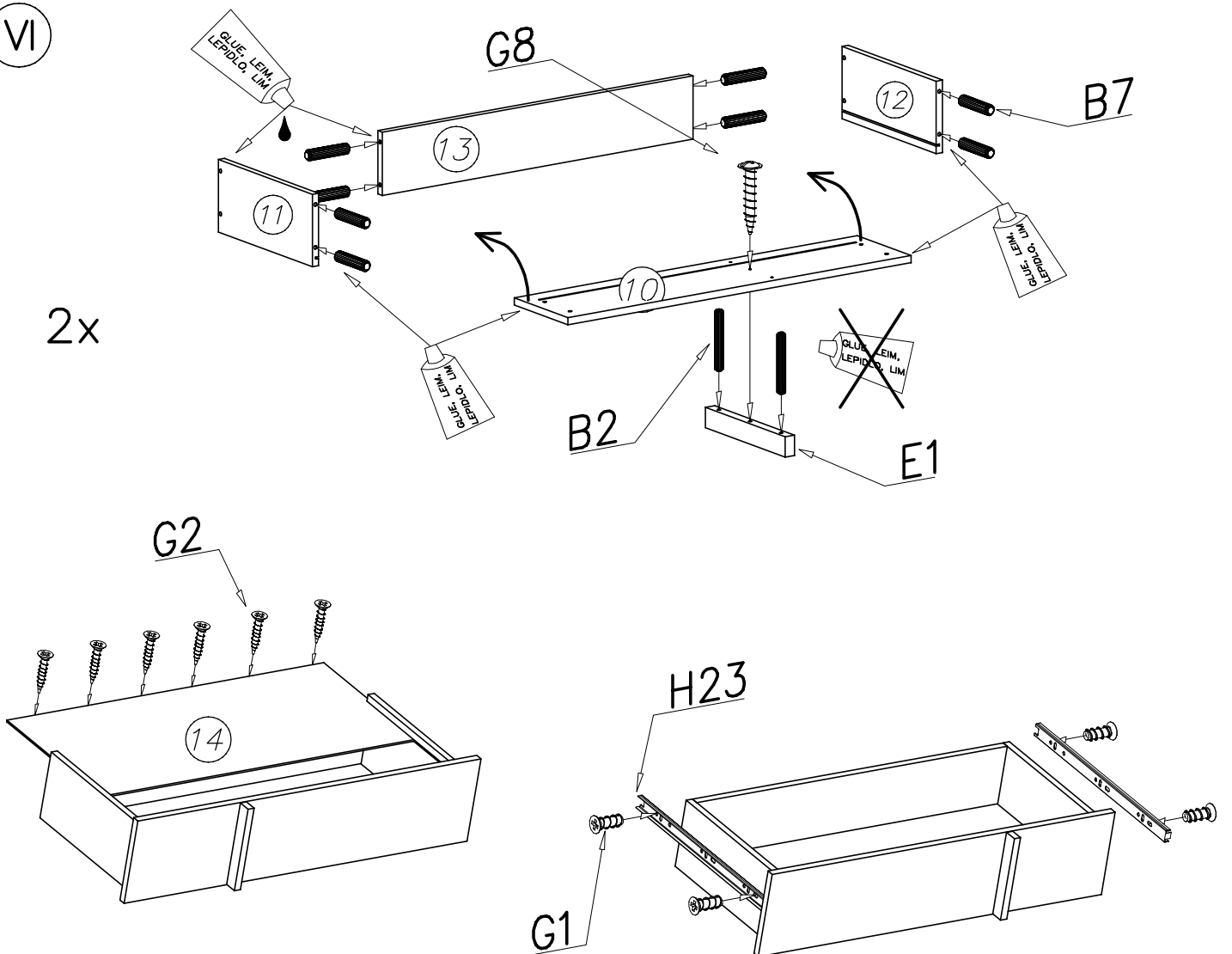
IV



V



VI



VII

