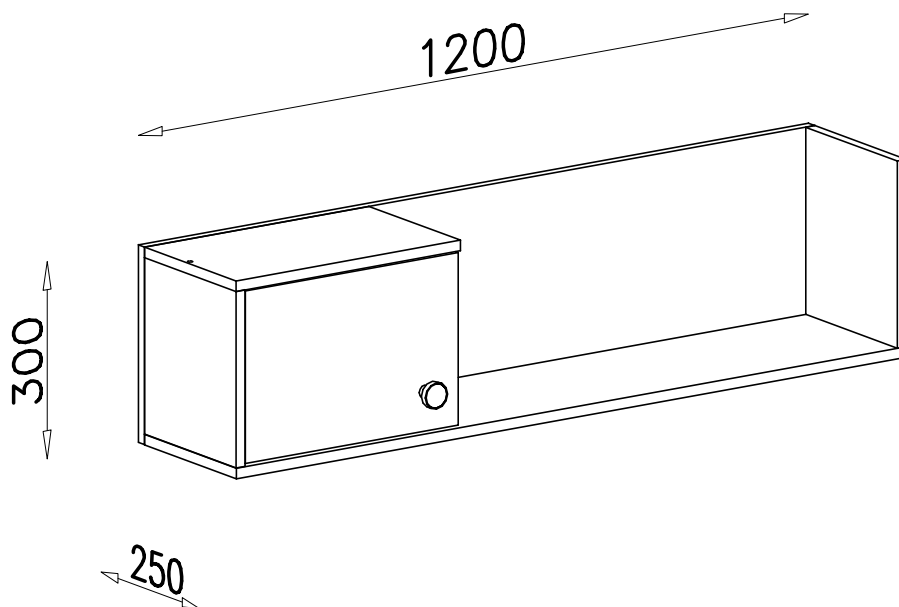
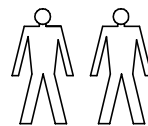
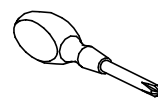
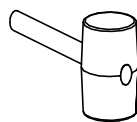
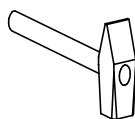
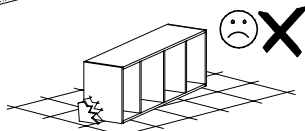
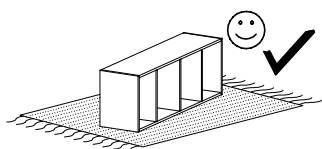
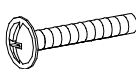

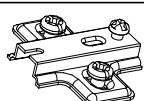


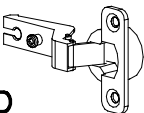
STEP ST 10





N13

 M4x22 x1


E8

 x1


D4

 PZ350D x2

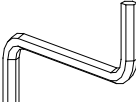
C4

 Z350D x2


G4

 4x16 x8

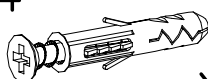
U12

 x2

A1

 ø7x50 x12

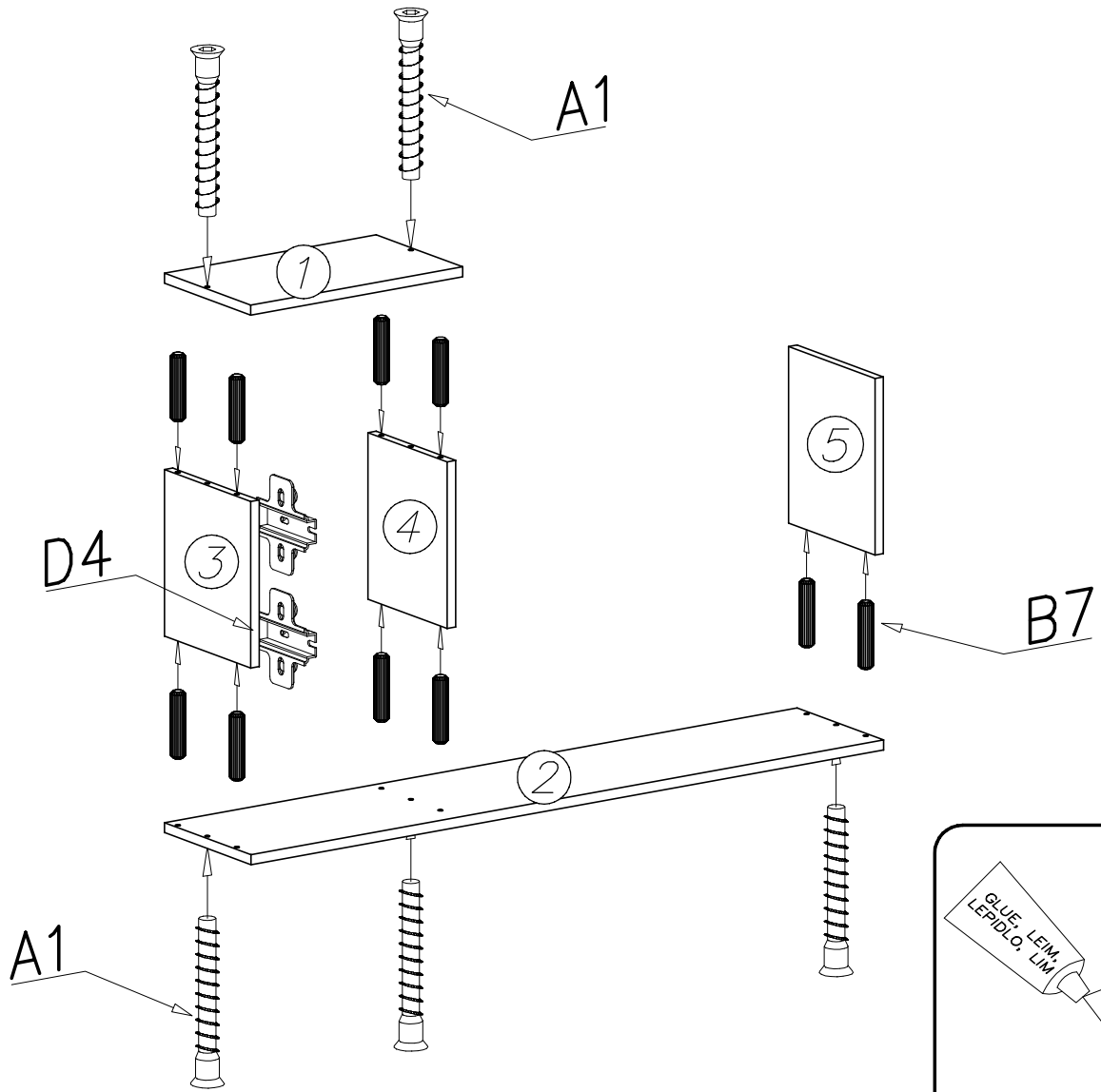
B7

 ø8x30 x23

W2

 x1

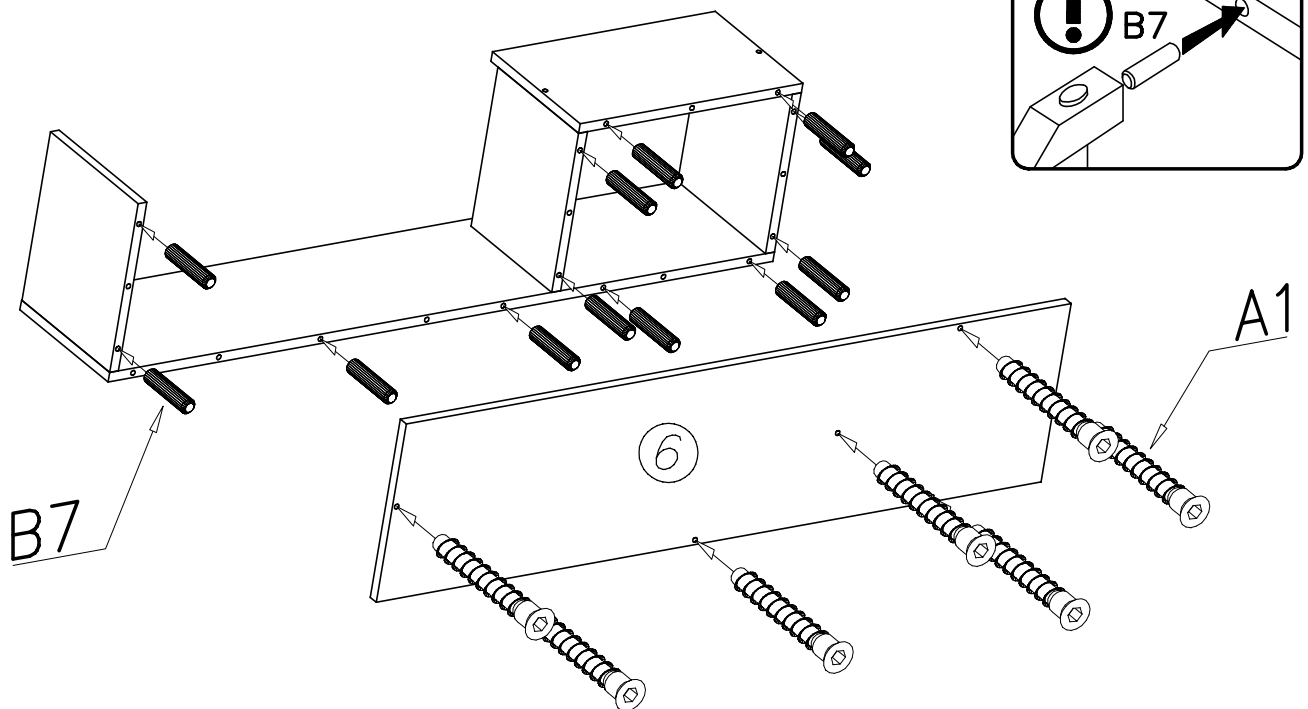
W1

 GLUE, LEIM, LEPIDLO, LIM x1

U4

 x2

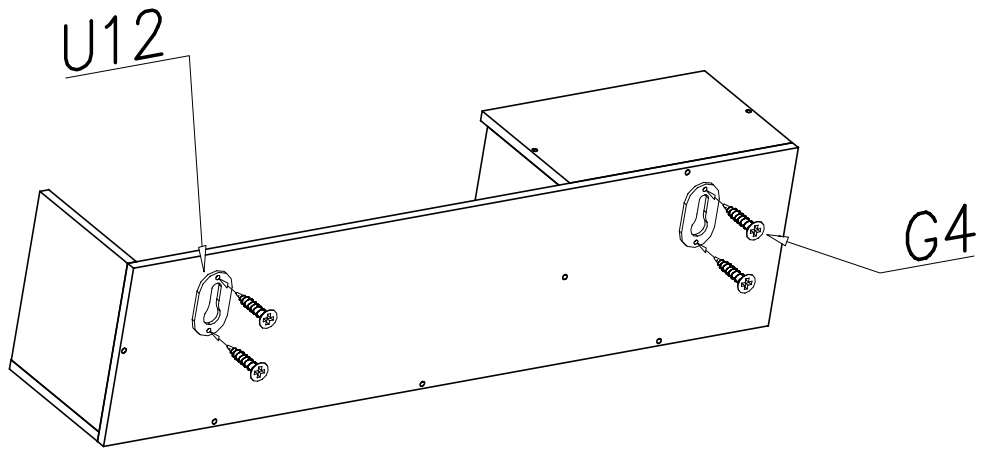
I



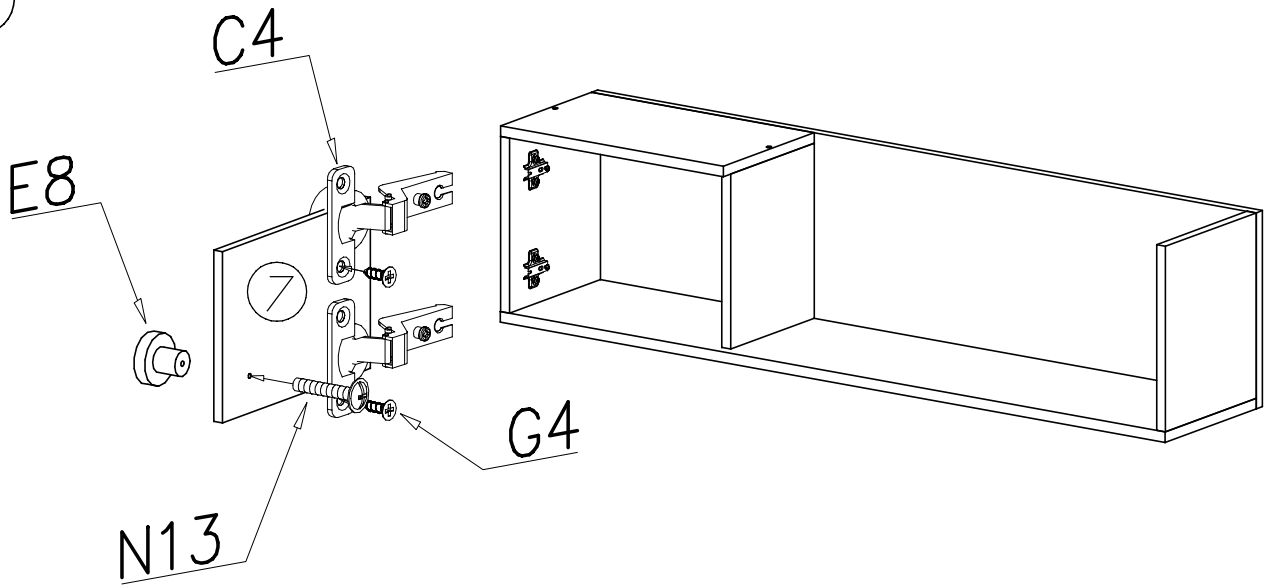
II



III



IV



V

