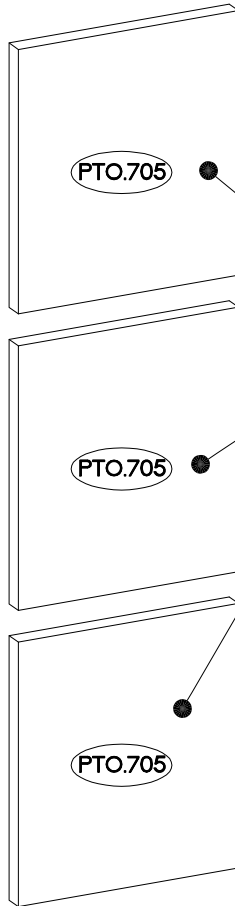
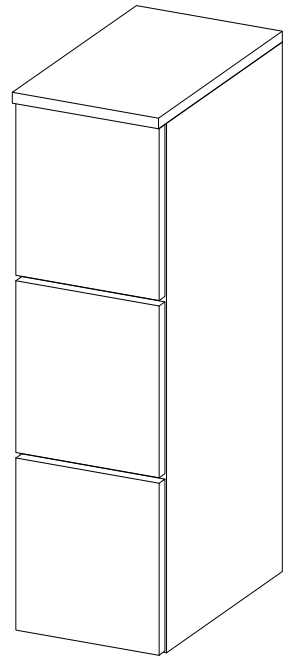
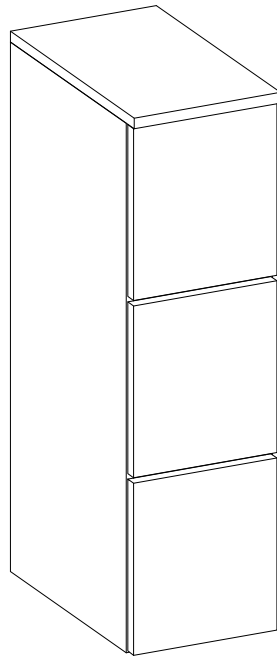
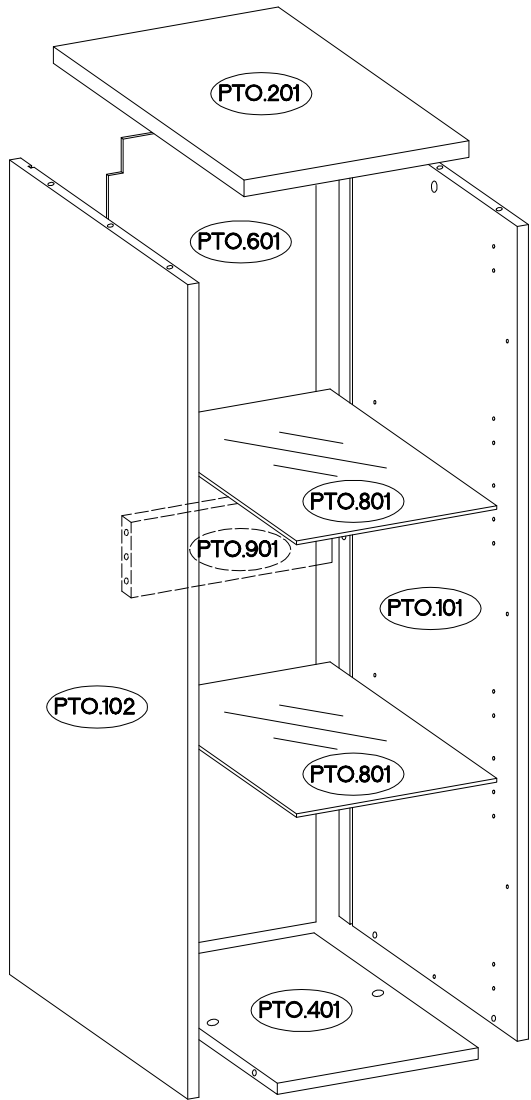
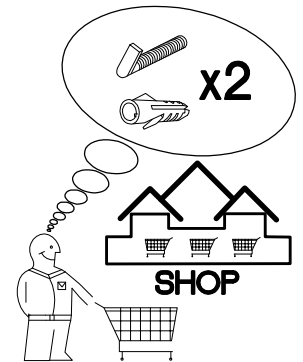
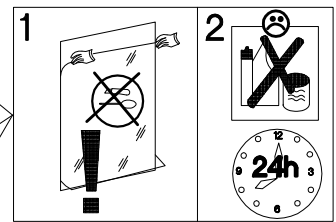


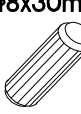
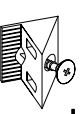

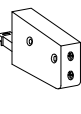
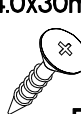

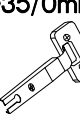

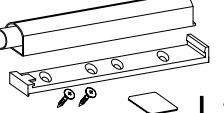





# PORTO 132






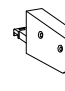
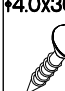

PTO.401, PTO.801 = max. 2kg

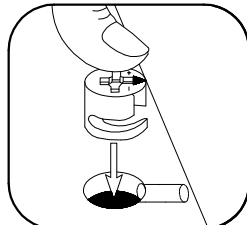
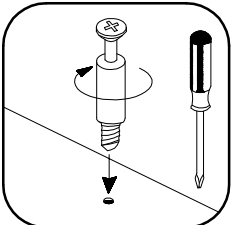
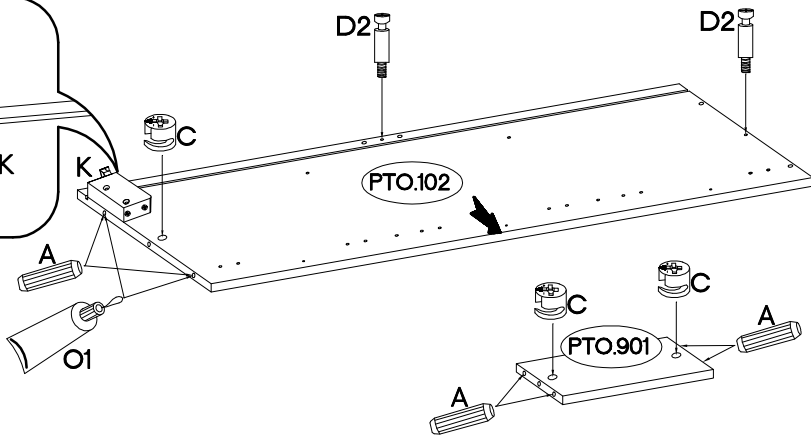
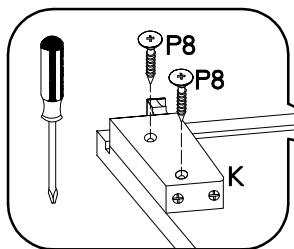
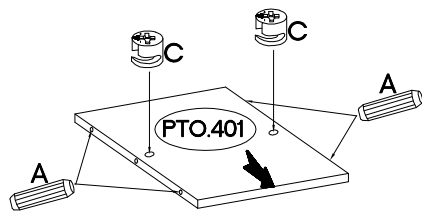
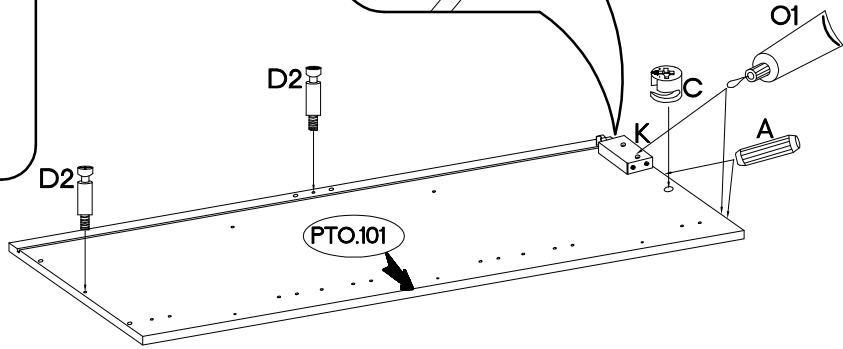
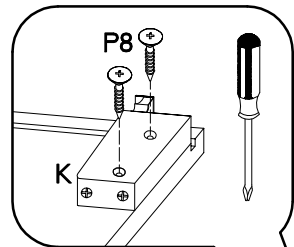
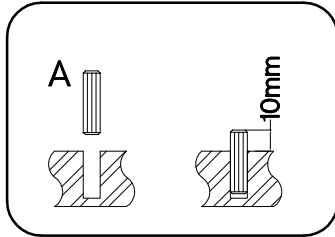
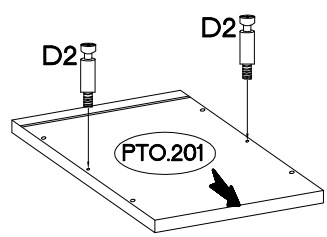


 L=20mm D2 6	 +15/12mm C 6	 +8x30mm A 12	 L 4	 O1 1	 K 2	 +4.0x30mm P8 4	 H 6	 +35/0mm G 6	 +3.5x13mm P5 12	 L23 3	 J12 8	 +3.0x20mm P7 3	 E 4
--	---	---	---	--	---	--	---	--	--	--	---	---	---

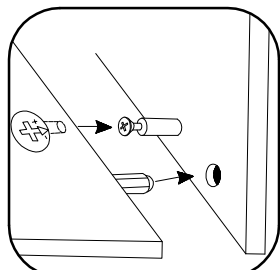
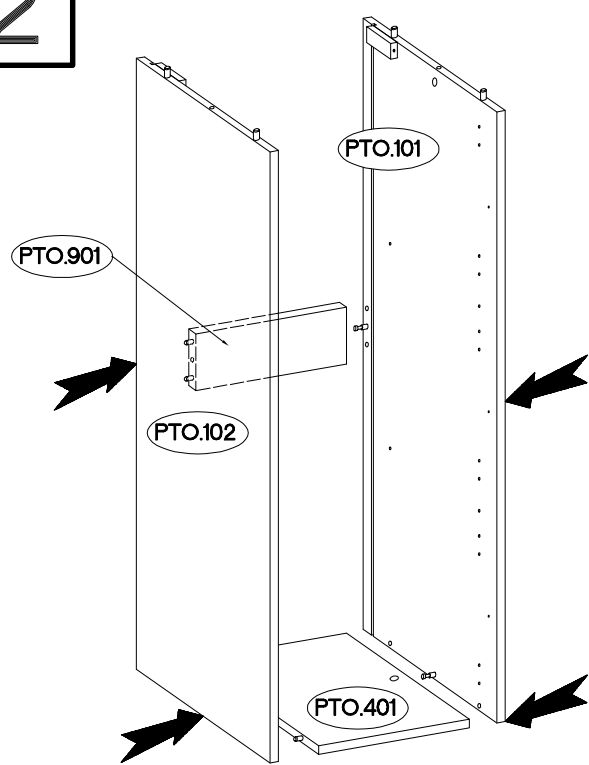
ISM-PTO-001

1

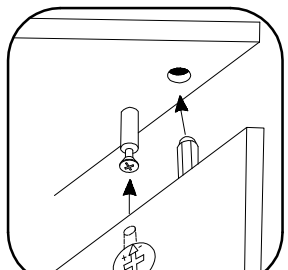
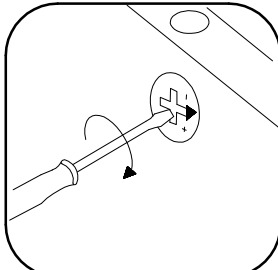
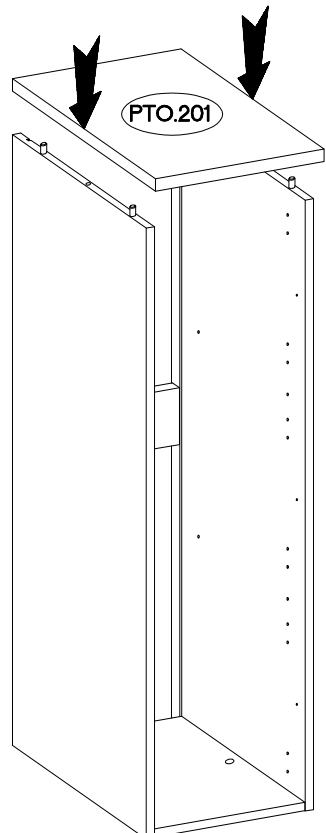
L=20mm	±5/12mm	±8x30mm		±4.0x30mm	
					
D2	C	A	K	P8	O1
6	6	12	2	4	1



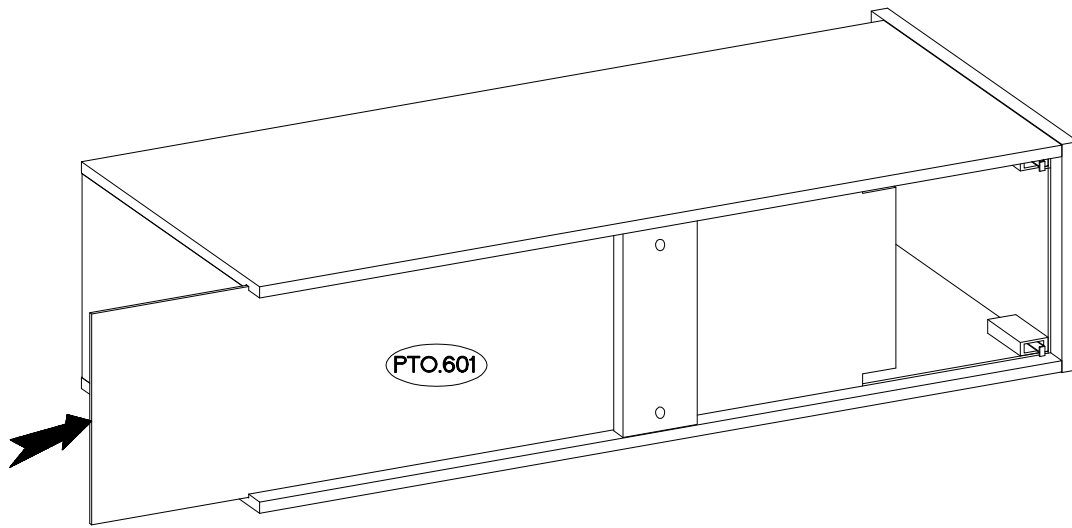
2



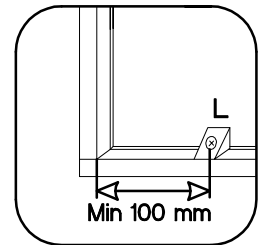
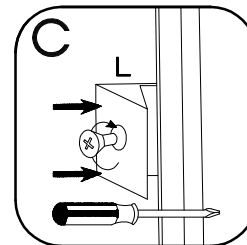
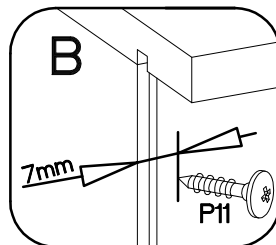
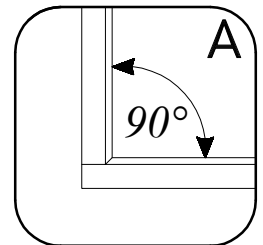
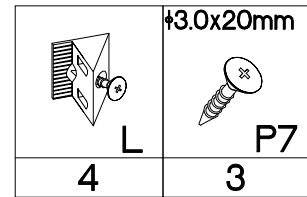
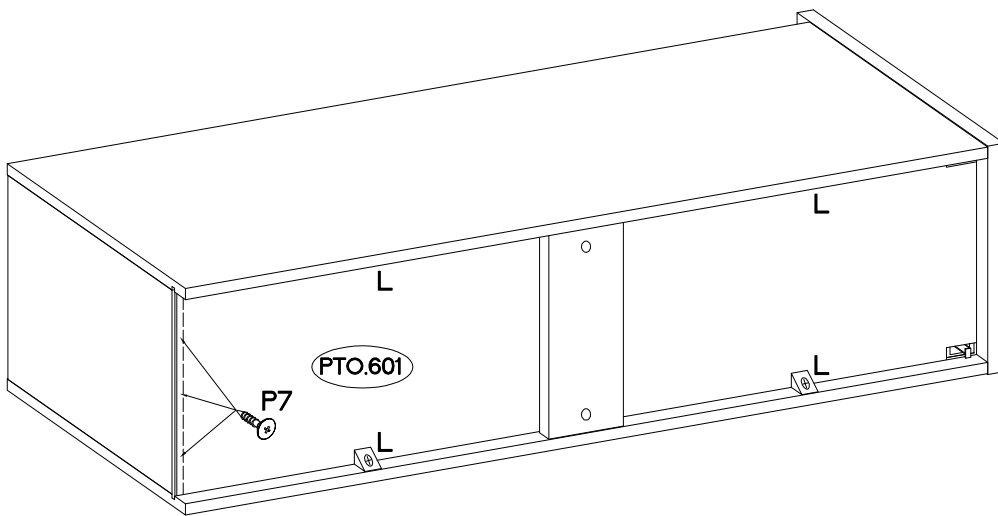
3



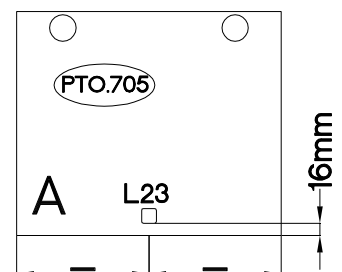
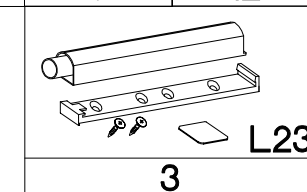
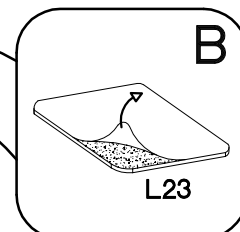
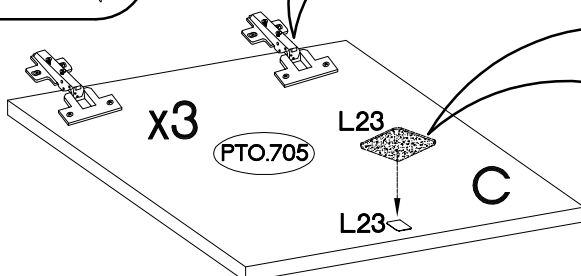
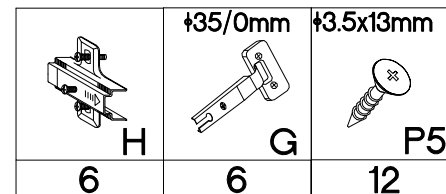
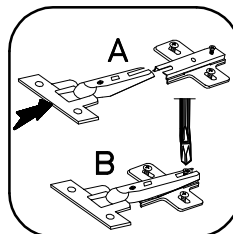
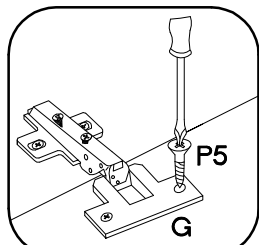
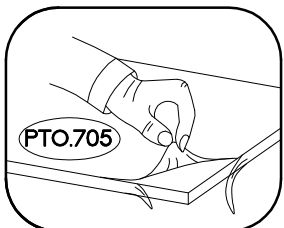
4

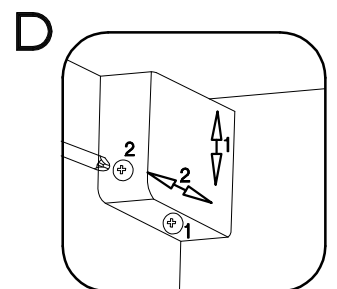
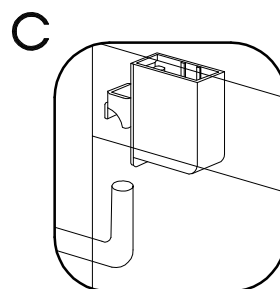
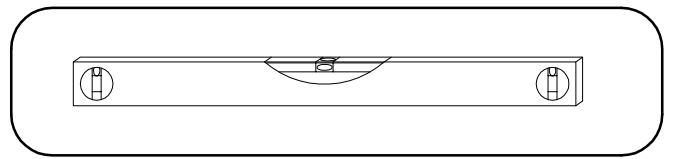
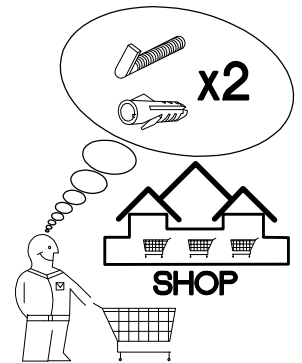
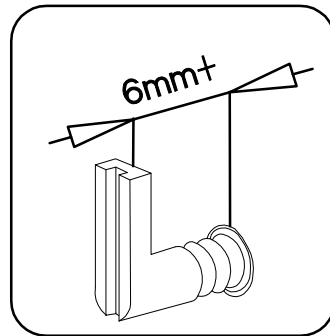
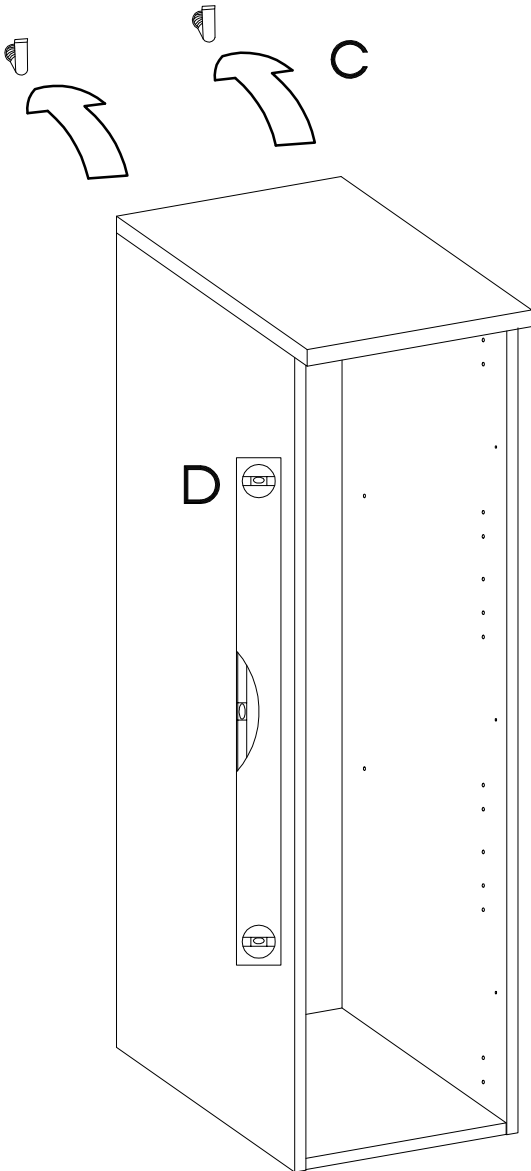
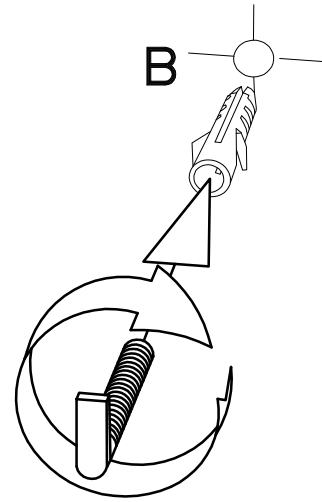
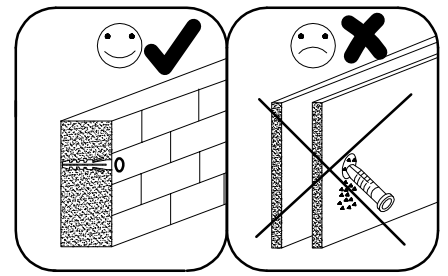
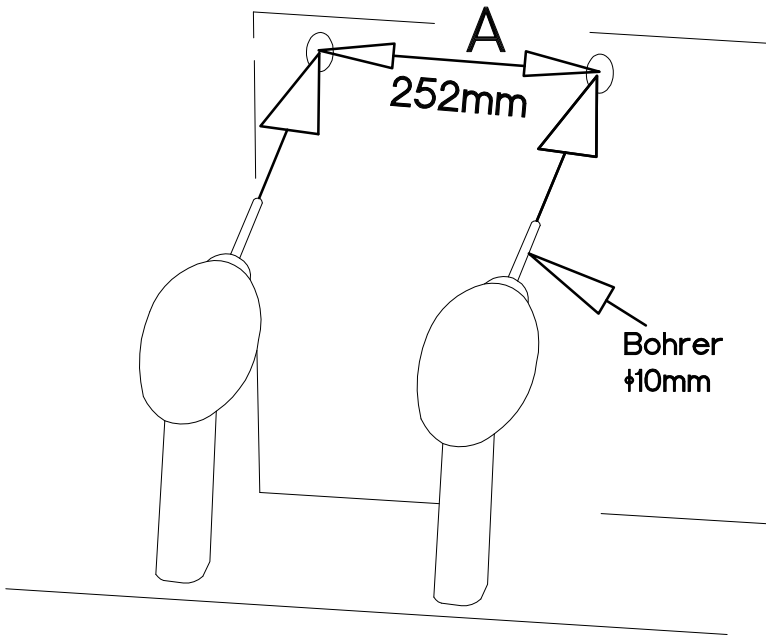


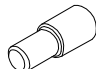

5

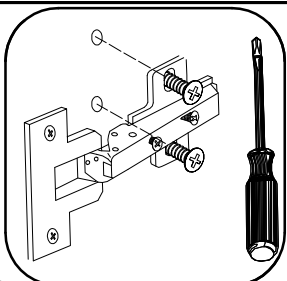



6





	
J12	E
8	4




L23
3

